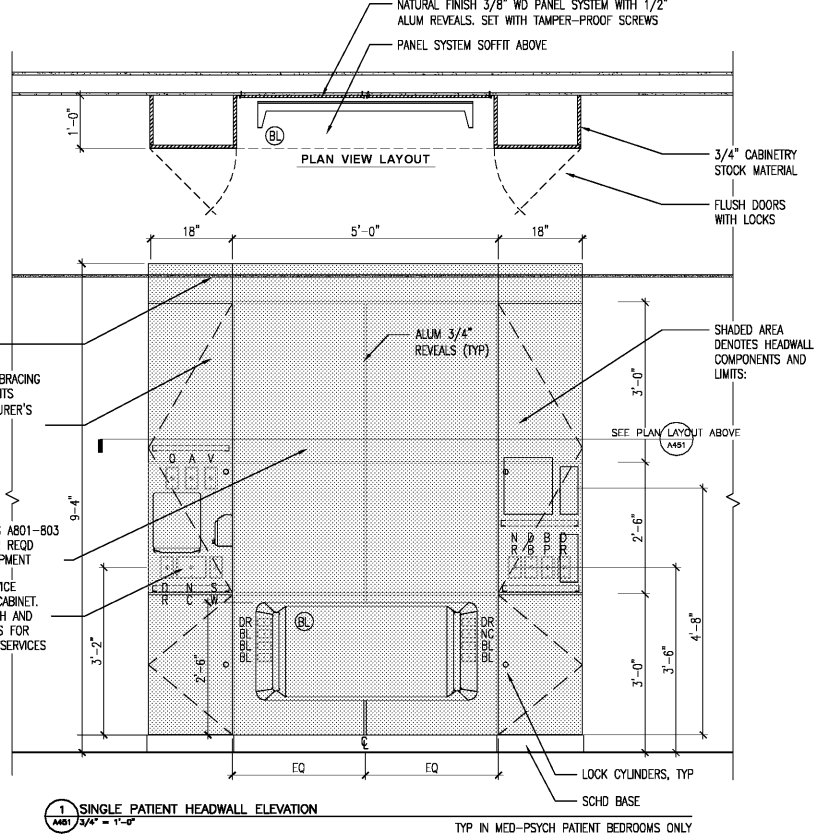


HEADWALL LEGEND & ABBREVIATIONS			
ITEM	DESCRIPTION	ITEM	DESCRIPTION
(BL)	BED LOCATOR	BP	BLANK PLATE
NC	NURSE CALL PROVISION	DP	DATA PROVISION
CB	CODE BLUE PROVISION	SL	BOTTLE SLIDE ON INSERT
V	MEDICAL VACUUM INLET	SW	SWITCH
A	MEDICAL AIR INLET	DR	DUPLEX RECEPTACLE
O <sup>2</sup>	OXYGEN OUTLET	DI	SIMPLEX RECEPTACLE



Revisions:	Date:

CONSULTANT	ARCHITECT/ENGINEER OF RECORD	STAMP	Office of Construction and Facilities Management	Drawing Title INTERIOR ELEVATIONS AND ENLARGED TOILET ROOM PLANS	Phase FINAL SUBMITTAL	Project Title RENOVATE GERIATRIC-MED-PSYCH INPATIENT 5TH FLOOR	Project Number 508-17-101
	 990 MEANS STREET NW STE. 200 ATLANTA, GA 30318		VA U.S. Department of Veterans Affairs	Approved: Project Director	FULLY SPRINKLERED	Location Atlanta VA Medical Center - Atlanta, Ga.	Building Number Bldg C: Main Tower
						Issue Date 06-07-2019	Checked AJT
						Drawn DB/MCC	Drawing Number A451