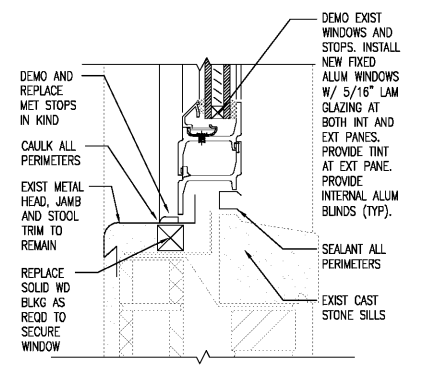
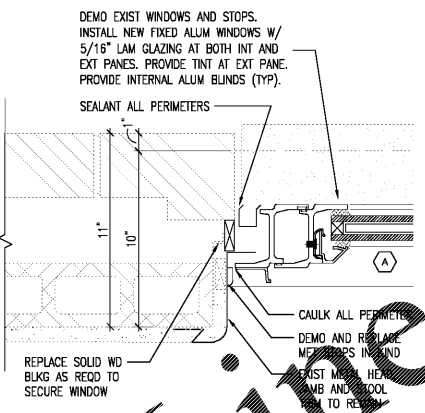


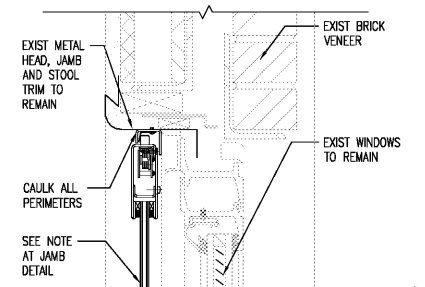
8 EXIST WINDOW HEAD - NEW WINDOW
A450 5/8" = 1'-0"
BID ALTERNATE #1



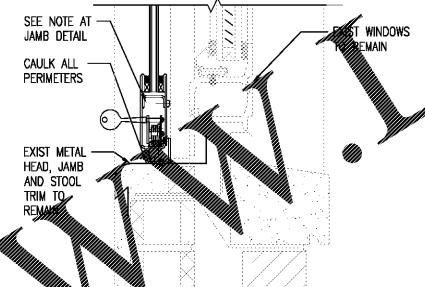
7 EXIST WINDOW SILL - NEW WINDOW
A450 5/8" = 1'-0"
BID ALTERNATE #1



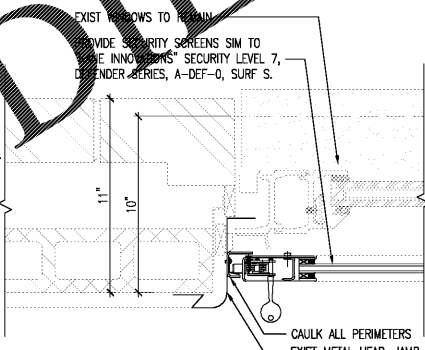
6 EXIST WINDOW JAMB - NEW WINDOW
A450 5/8" = 1'-0"
BID ALTERNATE #1



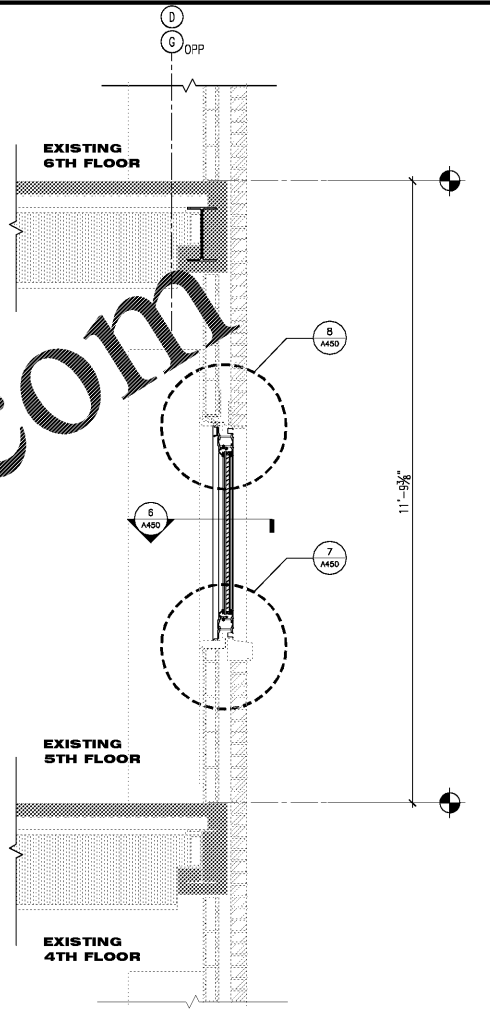
5 EXIST WINDOW HEAD - SECURE SCREEN
A450 5/8" = 1'-0"
BASE BID



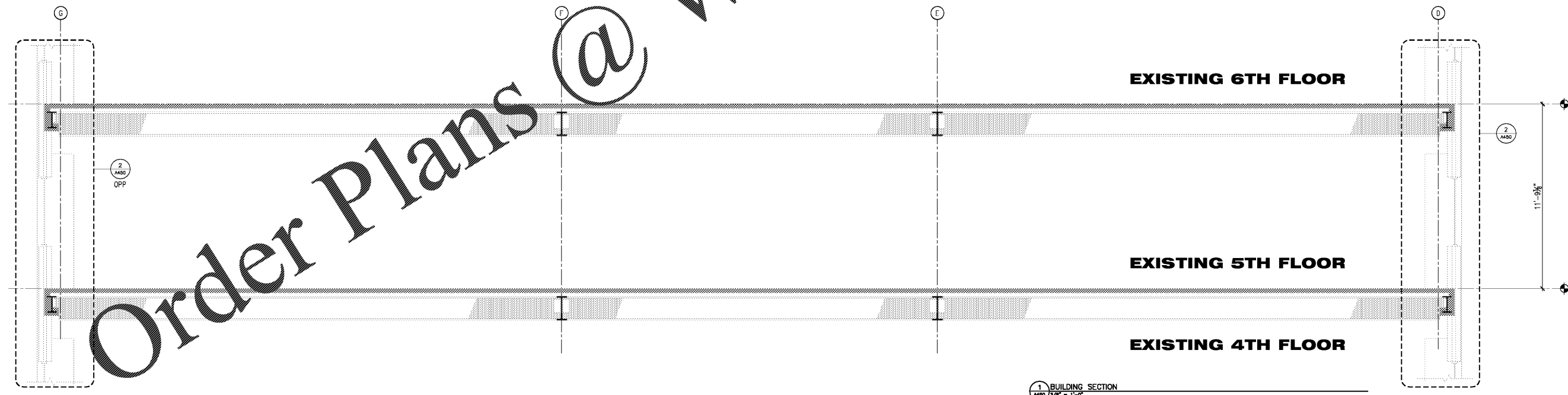
4 EXIST WINDOW SILL - SECURE SCREEN
A450 5/8" = 1'-0"
BASE BID



3 EXIST WINDOW JAMB - SECURE SCREEN
A450 5/8" = 1'-0"
BASE BID



2 EXTERIOR WALL SECTION @ WINDOW
A450 5/8" = 1'-0"
BID ALTERNATE #1
EXTERIOR WINDOW REPLACEMENT



1 BUILDING SECTION
A450 5/8" = 1'-0"

Revisions:	CONSULTANT	ARCHITECT/ENGINEER OF RECORD	STAMP	Office of Construction and Facilities Management	Project Title	Phase	Project Title	Project Number
	Date:	TOLAND MIZELL MOLNAR 590 MEANS STREET NW STE. 200 ATLANTA, GA 30318	STATE OF GEORGIA REGISTERED ARCHITECT	VA U.S. Department of Veterans Affairs	BUILDING AND WALL SECTIONS	FINAL SUBMITTAL	RENOVATE GERIATRIC-MED-PSYCH INPATIENT 5TH FLOOR	508-17-101
					Approved: Project Director	FULLY SPRINKLERED	Location	Building Number
							Atlanta VA Medical Center - Atlanta, Ga.	Bldg C: Main Tower
							Issue Date	Drawing Number
							06-07-2019	A450
							Checked	Drawn
							AJT	DB/MCC