

JOB NO.

NORWOOD ARCHITECTS
807 Torressi Blvd. N.W.
Atlanta, Georgia 30318
ph. 678-921-0302 fax. 678-921-0301
www.norwoodarchitects.com

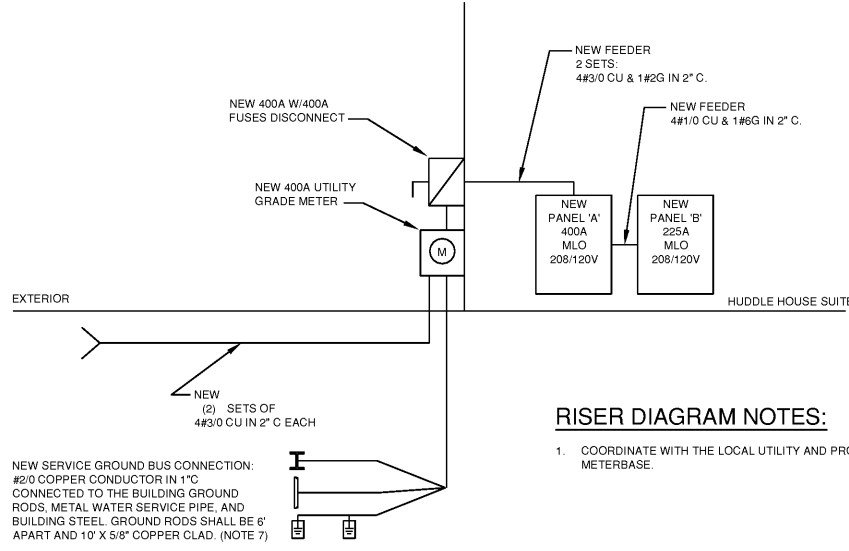
HUDDLE HOUSE
EVO 2000 RESTAURANT
US HWY 78 JASPER, AL
WALKER CO. 35501

NO. ISSUE DATE

DRAWING NUMBER

E400

ELECTRICAL DETAILS & SCHEDULES



RISER DIAGRAM NOTES:

- 1. COORDINATE WITH THE LOCAL UTILITY AND PROVIDE AN APPROVED 400A NEMA 3R METERBASE.

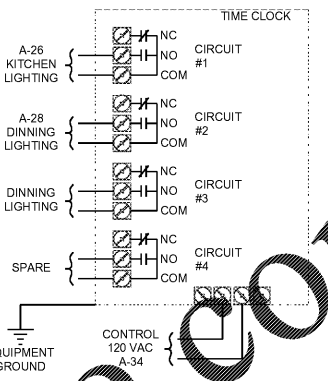
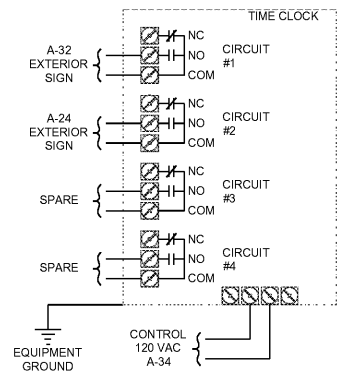
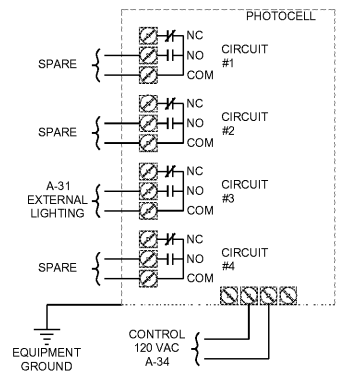
RISER DIAGRAM NO SCALE

Table with columns: PANEL NAME, LOCATION, VOLTAGE, MOUNTING/ENCLOSURE, SURFACE, NEMA 1. Includes a detailed circuit list for Panel A with columns for Amps, Poles, Type, Circuit Description, KVA, and CT. Total connected load is 125 KVA (1247 A).

Summary table for Panel A: L (Lighting) 8.6, R (Receptacle) 21.1, M (Motor) 3.6, H (Heating) 0.0, AC (Air Conditioning) 24.3, K (Kitchen) 0.0, T (Transformed from sub panel) 67.3.

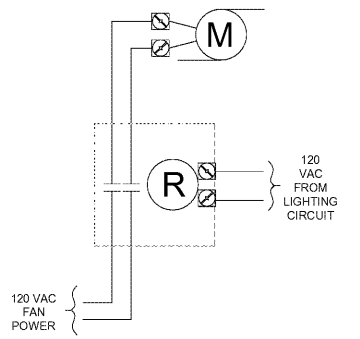
Table with columns: PANEL NAME, LOCATION, VOLTAGE, MOUNTING/ENCLOSURE, SURFACE, NEMA 1. Includes a detailed circuit list for Panel B with columns for Amps, Poles, Type, Circuit Description, KVA, and CT. Total connected load is 67 KVA (187 A).

Summary table for Panel B: L (Lighting) 1.8, R (Receptacle) 5.0, M (Motor) 0.0, H (Heating) 0.0, AC (Air Conditioning) 0.0, K (Kitchen) 60.3, T (Transformed from sub panel) 0.0.



TIME CLOCK DETAIL NO SCALE

LOAD SUMMARY table with columns: CIRCUIT DESCRIPTION, PANEL A, PANEL B, UNCONNECTED, DEMAND. Includes categories like Lighting, Receptacle, Motor, Heating, and Kitchen.



EXAMPLE OF MOTOR SWITCH NO SCALE

Order Plans @ WWW.LDILine.com