

PLAN VIEW -- Hood #2 (Main)  
10' 2.00" LONG 3642BD-2-6-PLT

PLAN VIEW -- Hood #4  
6' 4.00" LONG 96MISC-PSP

PLAN VIEW -- Hood #5  
10' 2.00" LONG 96MISC-PSP

- (1) DUPLEX OUTLET
- (2) DUPLEX OUTLETS

**EXHAUST FAN INFORMATION - Job#3803505**

FAN UNIT NO.	TAG	FAN UNIT MODEL #	CFM	ESP.	RPM	H.P.	B.H.P.	Ø	VOLT	FLA	DISCHARGE VELOCITY	WEIGHT (LBS.)	SONES
1	F-1	DU85HFA	950	1.000	1150	0.750	0.2680	1	208	5.2	301 FPM	92	11.6
2	F-2	DU85HFA	1525	1.250	1394	0.750	0.4770	1	208	5.2	483 FPM	92	16.5
3	DEF-1	DU33HFA	600	0.500	1212	0.333	0.1200	1	115	4.4	297 FPM	62	10.2

**CONDENSER DETAILS**

FAN UNIT NO.	TAG	FAN UNIT MODEL #	CONDENSER NO.	TONNAGE	VOLTAGE	PHASE	FREQUENCY	MCA	RLA	MAX. FUSE SIZE	MIN. WIRE SIZE	SEER
4	SF-1	A1-D.250-G10-MPU	1	2	208-230	1 PHASE	60 Hz	14.1 Amps	11.4 Amps	20 Amps	12 AWG	14
			2	3	208-230	1 PHASE	60 Hz	18.1 Amps	14.7 Amps	30 Amps	10 AWG	14

**MUA FAN INFORMATION - Job#3803505**

FAN UNIT NO.	TAG	FAN UNIT MODEL #	BLOWER	HOUSING	MIN CFM	DESIGN CFM	ESP.	RPM	H.P.	B.H.P.	Ø	VOLT	FLA	COOLING COIL ENTERING DB TEMP	COOLING COIL LEAVING WB TEMP	COOLING COIL ENTERING WB TEMP	COOLING COIL LEAVING DB TEMP	COOLING COIL TOTAL CAPACITY	COOLING COIL SENSIBLE CAPACITY	COOLING COIL LATENT CAPACITY	WEIGHT (LBS.)	SONES	BURNER EFFICIENCY(%)
4	SF-1	A1-D.250-G10-MPU	G10	A1-D.250	-	1980	0.400	1190	1.500	1.0050	1	208	6.7	95.0°F	76.0°F	75.0°F	67.9°F	59.6 MBH	39.5 MBH	20.1 MBH	1330	21	92

**GAS FIRED MAKE-UP AIR UNIT(S)**

FAN UNIT NO.	TAG	INPUT BTUs	OUTPUT BTUs	TEMP. RISE	REQUIRED INPUT GAS PRESSURE	GAS TYPE
4	SF-1	107127	98557	47 deg F	7 in. w.c. - 14 in. w.c.	Natural

**FAN OPTIONS**

FAN UNIT NO.	TAG	OPTION (Qty. - Descr.)
1	F-1	1 - Grease Box 1 - ECM Wiring Package-Exhaust - Manual or 0-10VDC Reference Speed Control (NIDEC Motor)
2	F-2	1 - Grease Box 1 - ECM Wiring Package-Exhaust - Manual or 0-10VDC Reference Speed Control (NIDEC Motor)
4	SF-1	1 - AC Interlock Relay - 24VAC Coil 1 - Motorized Backdraft Damper for A1-D Housing 1 - Low Fire Start 1 - Inlet Pressure Gauge, 0-35" 1 - Manifold Pressure Gauge, -5 to 15" wc 1 - Cooling Thermostat and Relay (Not req for evap) 1 - 5 Ton 2 Circuit (2/3) Modular Packaged Cooling Option for Size 1 MUA (1,800 to 3,000 cfm), 208V/230V, 1 phase. Cooling Thermostat or Programmable Stat Required for Proper Operation. 1 - Downturn Plenum for Size 1 DX Coil Module

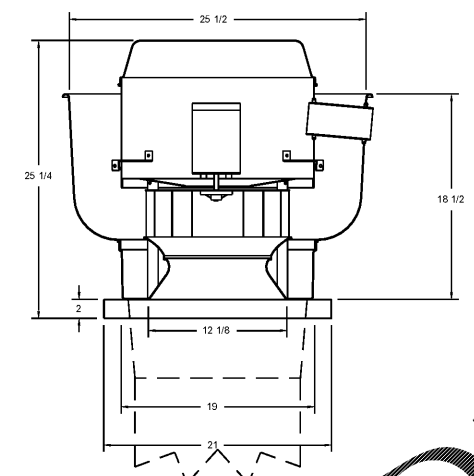
**FAN ACCESSORIES**

FAN UNIT NO.	TAG	EXHAUST				SUPPLY			
		GREASE CUP	GRAVITY DAMPER	WALL MOUNT	DISCONNECT DAMPER	GRAVITY DAMPER	MOTORIZED DAMPER	WALL MOUNT	
1	F-1	YES							
2	F-2	YES							
3	DEF-1								
4	SF-1							YES	

**CURB ASSEMBLIES**

NO.	ON FAN	TAG	WEIGHT	ITEM	SIZE
1	#1	F-1	36 LBS	Curb	23.000"W x 23.000"L x 20.000"H Vented Hinged
2	#2	F-2	36 LBS	Curb	23.000"W x 23.000"L x 20.000"H Vented Hinged
3	#3	DEF-1	27 LBS	Curb	19.500"W x 19.500"L x 20.000"H
4	#4		83 LBS	Rail	6.000"W x 21.000"L x 20.000"H
4	#4	SF-1	83 LBS	Curb	21.000"W x 71.000"L x 20.000"H Insulated

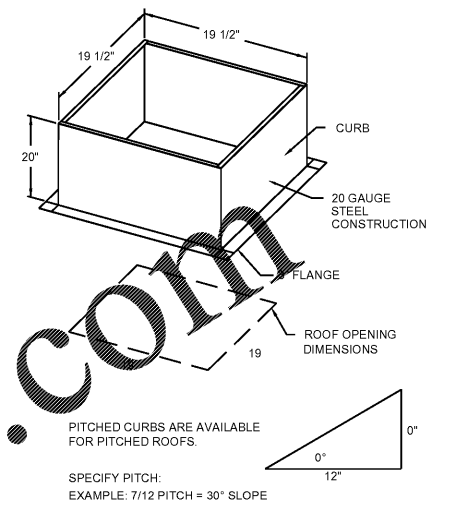
FAN #3 DU33HFA - EXHAUST FAN (DEF-1)



- FEATURES:**
- DIRECT DRIVE CONSTRUCTION (NO BELTS/PULLEYS)
  - ROOF MOUNTED FANS
  - RESTAURANT MODEL
  - UL705
  - VARIABLE SPEED CONTROL
  - INTERNAL WIRING
  - WEATHERPROOF DISCONNECT
  - THERMAL OVERLOAD PROTECTION (SINGLE PHASE)
  - HIGH HEAT OPERATION 300°F (149°C)

**NORMAL TEMPERATURE TEST**  
EXHAUST FAN MUST OPERATE CONTINUOUSLY WHILE EXHAUSTING AIR AT 300°F (149°C) UNTIL ALL FAN PARTS HAVE REACHED THERMAL EQUILIBRIUM, AND WITHOUT ANY DETERIORATING EFFECTS TO THE FAN WHICH WOULD CAUSE UNSAFE OPERATION.

**OPTIONS:**  
ECM WIRING PACKAGE-EXHAUST - MANUAL OR 0-10VDC REFERENCE SPEED CONTROL (NIDEC MOTOR).

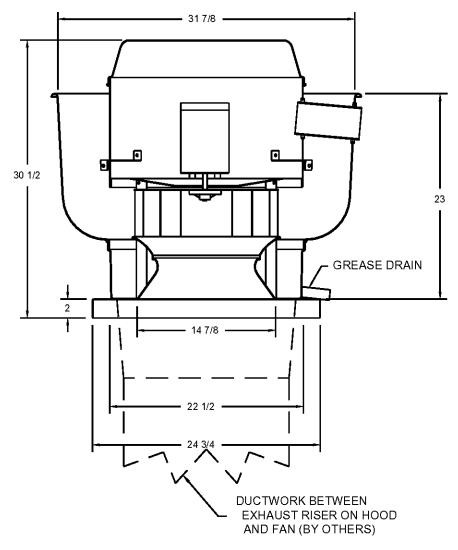


**ELECTRICIAN NOTES :**

All Hood/Fan/EMS/UDS/PCU electrical connections and interconnections to be provided and installed by Electrician. Electrician to provide, install, and land wiring between hood lights, hood temp sensors, remote Anslu system microswitches, and any other component requiring an electrical connection to the Captive-Aire electrical package.  
Failure by the Electrician to make ALL required electrical connections and interconnections will result in the electrical controls not working properly. Any loss or failed test as a result of electrical controls not working properly is the responsibility of the Electrician. Light bulbs for kitchen hoods to be provided and installed by electrician.

CAPTIVEAIRE SYSTEMS RECOMMENDS THE USE OF LISTED, PRE-FABRICATED ROUND GREASE EXHAUST DUCT TO REDUCE STATIC PRESSURE IN THE SYSTEM, MINIMIZE INSTALLATION AND INSPECTION TIMES, AND ENSURE DUCT IS LIQUID TIGHT

FANS #1 (F-2), #2 (F-1) - DU85HFA EXHAUST FAN

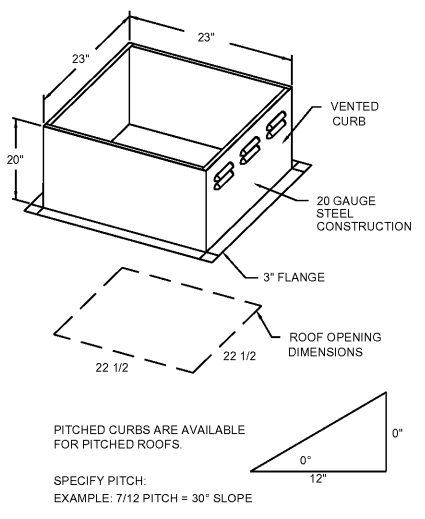


- FEATURES:**
- DIRECT DRIVE CONSTRUCTION (NO BELTS/PULLEYS)
  - ROOF MOUNTED FANS
  - RESTAURANT MODEL
  - UL705 AND UL782 AND UL-C-9845
  - VARIABLE SPEED CONTROL
  - INTERNAL WIRING
  - WEATHERPROOF DISCONNECT
  - THERMAL OVERLOAD PROTECTION (SINGLE PHASE)
  - HIGH HEAT OPERATION 300°F (149°C)
  - GREASE CLASSIFICATION TESTING

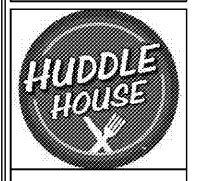
**NORMAL TEMPERATURE TEST**  
EXHAUST FAN MUST OPERATE CONTINUOUSLY WHILE EXHAUSTING AIR AT 300°F (149°C) UNTIL ALL FAN PARTS HAVE REACHED THERMAL EQUILIBRIUM, AND WITHOUT ANY DETERIORATING EFFECTS TO THE FAN WHICH WOULD CAUSE UNSAFE OPERATION.

**ABNORMAL FLARE-UP TEST**  
EXHAUST FAN MUST OPERATE CONTINUOUSLY WHILE EXHAUSTING BURNING GREASE VAPORS AT 600°F (316°C) FOR A PERIOD OF 15 MINUTES WITHOUT THE FAN BECOMING DAMAGED TO ANY EXTENT THAT COULD CAUSE AN UNSAFE CONDITION.

**OPTIONS:**  
GREASE BOX.  
ECM WIRING PACKAGE-EXHAUST - MANUAL OR 0-10VDC REFERENCE SPEED CONTROL (NIDEC MOTOR).



**HOOD EXHAUST FANS & FAN SCHEDULE**



JOB NO. LI907

**NORWOOD ARCHITECTS**  
807 Corporate Blvd. NW  
Atlanta, Georgia 30318  
ph. 678-921-0302 fax. 678-921-0301  
www.norwoodarchitects.com

**HUDDLE HOUSE**  
EVO 2000 RESTAURANT  
US HWY 78 JASPER, AL  
WALKER CO. 35501

NO.	ISSUE DATE
	PERMIT SET 7/2019

DRAWING NUMBER

**MH101**