



JOB NO. LI 907

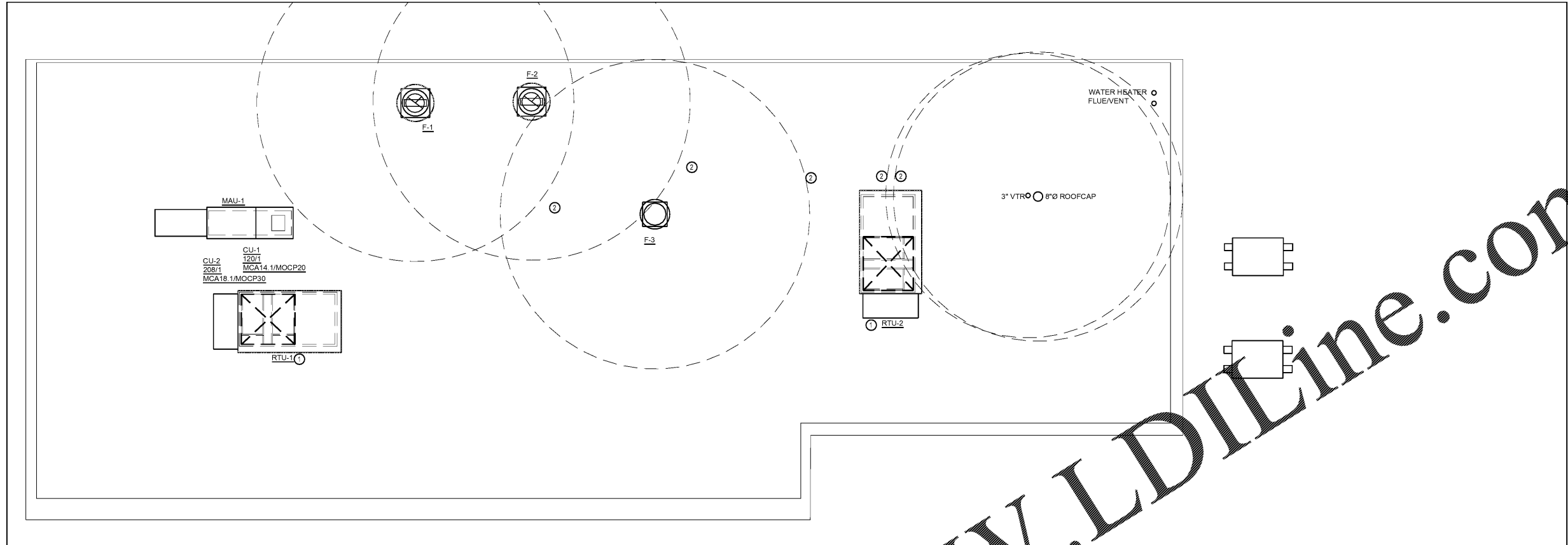
**NORWOOD ARCHITECTS**  
807 Corporate Blvd. NW  
Atlanta, Georgia 30318  
ph. 678-921-0302 fax. 678-921-0301  
www.norwoodarchitects.com

**HUDDLE HOUSE**  
EVO 2000 RESTAURANT  
US HWY 78 JASPER, AL  
WALKER CO. 35501

NO.	ISSUE DATE
	PERMIT SET 7/2019

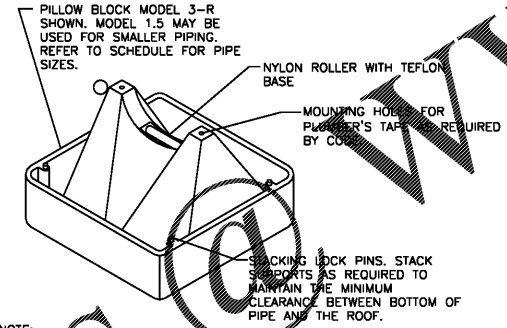
DRAWING NUMBER

**M200**



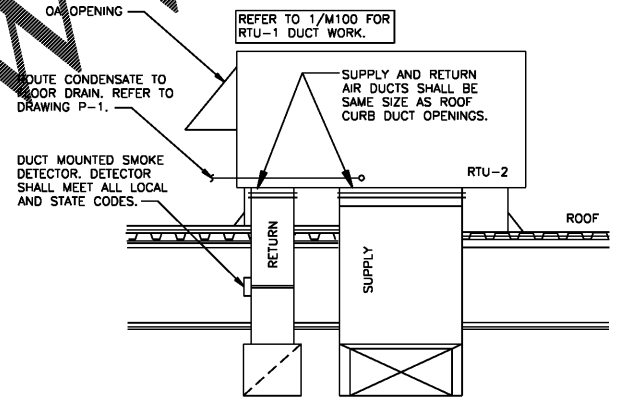
1 ROOF PLAN - HVAC  
SCALE: 1/4" = 1'-0"

- MECHANICAL NOTES:**
- ROOF TOP UNIT, MOUNTED ON A FULL PERIMETER INSULATED ROOF CURB. PROVIDE 1-1/4" GAS TO UNIT ON ROOF. SEE PLUMBING DRAWINGS FOR PIPING AND LOCATION.
  - MAINTAIN 10' FOOT CLEARANCE FROM ALL ROOFTOP UNIT OUTDOOR AIR INTAKES.
  - PROVIDE CONDENSATE DRAIN EXPOSED ON ROOF. PROVIDE SUPPORT. SEE DETAIL THIS SHEET. SPILL TO REAR GUTTER (IF APPROVED BY AUTHORITY HAVING JURISDICTION).

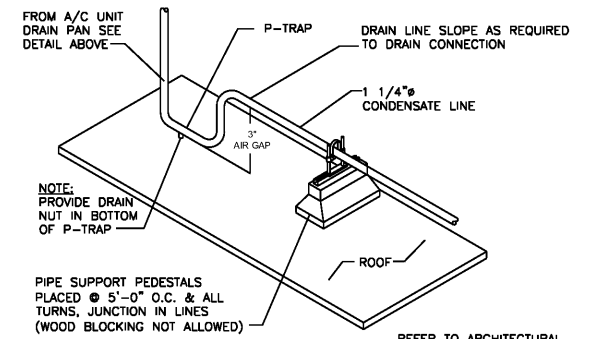


NOTE:  
1) PIPE SUPPORTS SHALL BE SPACED AS SPECIFIED IN THE SPECIFICATIONS.  
2) DO NOT ATTACH SUPPORTS TO ROOF. PROVIDE PROTECTIVE MEMBRANE BETWEEN ROOF AND SUPPORT PER ROOFING MANUFACTURER'S RECOMMENDATIONS. PROVIDED AND INSTALLED BY THE PLUMBING CONTRACTOR.  
3) FOR PILLOW BLOCK PIPE STAND INFORMATION, CONTACT MFR. IND. OF UTAH (800) 768-6978.

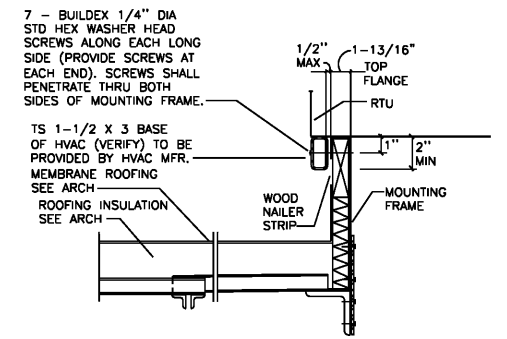
2 PIPE SUPPORT ON ROOF DETAIL  
M200 N.T.S.



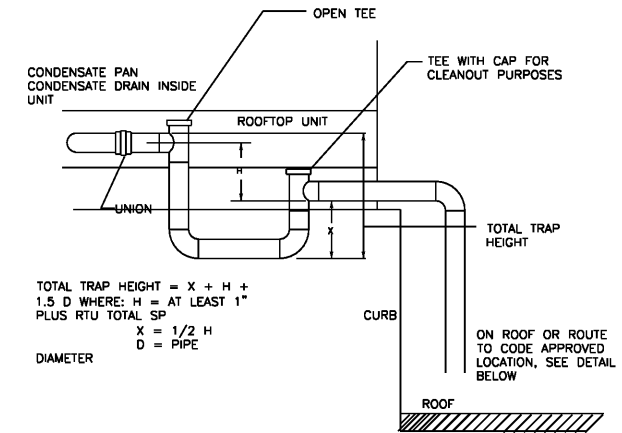
3 ROOFTOP UNIT INSTALLATION DETAIL  
M200 N.T.S.



7 CONDENSATE DRAIN SUPPORT  
M200 N.T.S.



6 RTU ATTACHMENT DETAIL  
M200 N.T.S.



5 CONDENSATE DRAIN DETAIL  
M200 N.T.S.

Order Plans