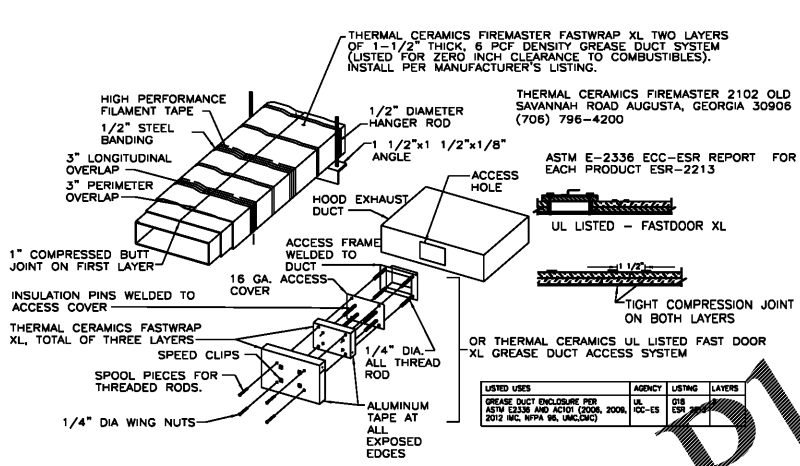
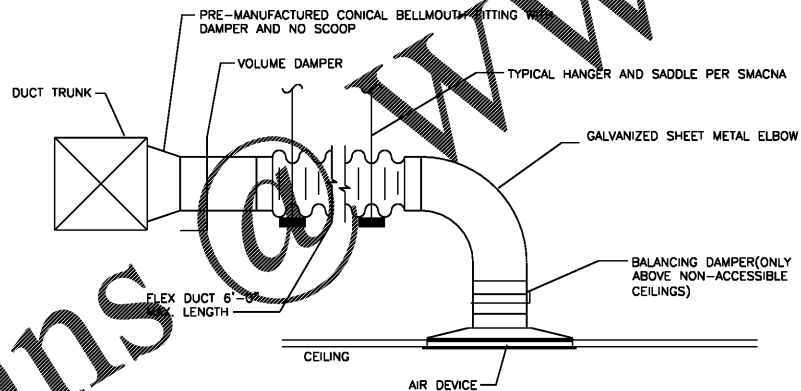


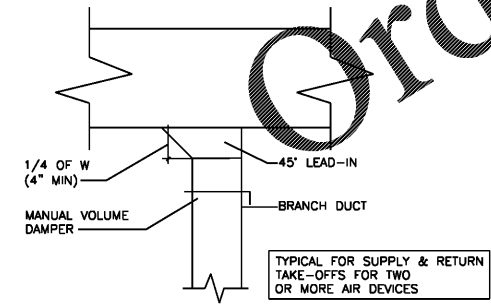
1 FLOOR PLAN - HVAC  
M100 SCALE: 1/4" = 1'-0"



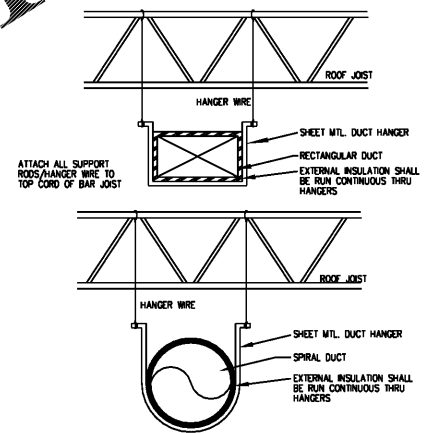
1 HOOD EXHAUST DUCT WRAP DETAIL  
M100 N.T.S.



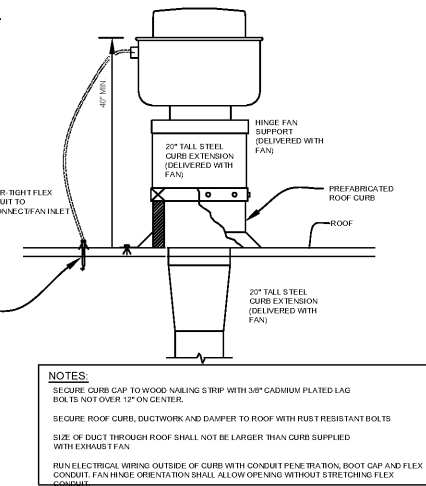
2 TYPICAL FLEXIBLE DUCT CONNECTION  
M100 N.T.S.



3 BRANCH TAKE-OFF  
M100 N.T.S.



DUCT HANGER DETAIL

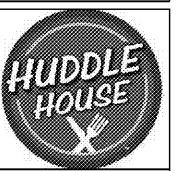


NOTES:  
SECURE CURB CAP TO WOOD NAILING S BRP WITH 3/8" CADMIUM PLATED LAG BOLTS NOT OVER 12" ON CENTER.  
SECURE ROOF CURB, DUCTWORK AND DAMPER TO ROOF WITH RUST RESISTANT BOLTS.  
SIZE OF DUCT THROUGH ROOF SHALL NOT BE LARGER THAN CURB SUPPLIED WITH EXHAUST FAN.  
RUN ELECTRICAL WIRING OUTSIDE OF CURB WITH CONDUIT PENETRATION, ROOF CAP AND FLEX CONDUIT FAN HINGE ORIENTATION SHALL ALLOW OPENING WITHOUT STRETCHING FLEX CONDUIT.

UPBLAST FAN (GREASE) DETAIL  
PROVIDE SIMILAR CURB AT ALL ROOF GREASE-RATED EXHAUST FANS

MECHANICAL NOTES:

- DUCTWORK LOCATED ABOVE CEILING BETWEEN TRUSSES AND THROUGH JOIST WEBBING. COORDINATE WITH STRUCTURE.
- GREASE EXHAUST DUCT ABOVE HOOD (CONCEALED BY SS PANELS) WITH FIRE RATED ZERO CLEARANCE DUCT WRAP. SLOPE BACK TO HOOD AT 1/4" PER FT. MIN.
- REMOTE TEMPERATURE & HUMIDITY SENSORS TO BE COMPATIBLE WITH THERMOSTATS. MOUNT ON WALL OR IN RETURN GRILLE FOR UNIT DESIGNATED.
- CEILING MOUNTED EXHAUST FAN. CONTROLLED WITH LIGHTS. CENTER OVER WATER CLOSET.
- PROGRAMMABLE THERMOSTATS FOR ROOFTOP UNITS, GANGED ON WALL +/-48" A.F.F. PROVIDE LOCKABLE COVER.
- 1" DOOR UNDERCUT (TYP.)
- MANUAL VOLUME DAMPER (TYP.)
- SUPPLY AIR DUCT DROP FROM UNIT ON ROOF. PROVIDE FULL SIZE DROP TO DUCT SIZE INDICATED.
- RETURN AIR DUCT DROP FROM UNIT ON ROOF. PROVIDE FULL SIZE DROP TO DUCT SIZE INDICATED.
- GREASE EXHAUST DUCT UP TO ROOF MOUNTED GREASE EXHAUST FAN. REFER TO HOOD DRAWINGS. SHEETS MH100 THROUGH MH103. DUCT SHALL BE 16 GA. EXTERNALLY LIQUID TIGHT BLACK IRON.
- EXHAUST AIR DUCT UP TO ROOFCAP. PENETRATION SHALL MEET ALL LOCAL AND STATE CODES.
- PROVIDE DUCT MOUNTED SMOKE DETECTOR IN RETURN MAIN DUCT. SMOKE DETECTOR SHALL SHUT OFF UNIT WHEN SMOKE IS DETECTED. PROVIDE VISUAL & AUDIBLE ALARM IN A CONSTANTLY OCCUPIED LOCATION.
- AIR-TITE FITTING WITH VOLUME DAMPER (TYP.)
- PLENUM RATED FLEXIBLE DUCTWORK ABOVE ACCESSIBLE CEILING ONLY. (TYP.)
- TRANSITION HOOD EXHAUST DUCT TO EXHAUST COLLAR ON HOOD. WELD DUCT TO COLLAR. REFER TO HOOD DRAWINGS SHEETS MH100 THROUGH MH103.
- OUTLINE OF ROOF MOUNTED EXHAUST FAN. REFER TO ROOF PLAN.
- OUTLINE OF GAS FIRED ROOFTOP UNIT. REFER TO ROOF PLAN.
- MANUFACTURER PROVIDED VENT PIPE FROM WATER HEATER (WH-1) TO CONCENTRIC VENT THROUGH ROOF. SIZE AND INSTALL PER MANUFACTURER'S RECOMMENDATIONS. MAINTAIN 10'-0" FROM ROOFTOP UNIT OUTSIDE AIR AND COMBUSTION AIR INTAKES.
- MANUFACTURER PROVIDED COMBUSTION AIR INTAKE PIPE FROM WATER HEATER (WH-1) TO CONCENTRIC VENT THROUGH ROOF. SIZE AND INSTALL PER MANUFACTURER'S RECOMMENDATIONS.
- PLENUM WITH 1" DUCT LINER TO 10'-0" FROM UNIT SHOWN (MINIMUM SIZE = DIMENSION OF UNIT OPENING FOR HEIGHT AND WIDTH).
- WATER HEATER CONCENTRIC VENT THROUGH ROOF.
- STAINLESS STEEL LIQUID TIGHT DISHWASHER HOOD EXHAUST DUCT. SLOPE DOWN TO HOOD AT 1/4" PER FOOT MIN.
- COOLER COMPRESSOR.



JOB NO. LI907

NORWOOD ARCHITECTS  
807 Corporate Blvd. NW  
Atlanta, Georgia 30318  
ph. 678-921-0302 fax. 678-921-0301  
www.norwoodarchitects.com

HUDDLE HOUSE  
EVO 2000 RESTAURANT  
US HWY 78 JASPER, AL  
WALKER CO. 35501

NO.	ISSUE DATE
	PERMIT SET 7/2019

DRAWING NUMBER

M100