

MU TEMPORARY MULCHING
 MUa PERMANENT MULCHING

MULCHING APPLICATION REQUIREMENTS

| MATERIAL | RATE | DEPTH |
|--|------------------------------------|-----------|
| Straw or hay | 2 1/2 tons/acre | 6" TO 10" |
| Wood waste, chips, sawdust, bark | 6 to 9 tons/acre | 2" TO 3" |
| Geotextiles, jute matting, netting, etc. | See manufacturer's recommendations | |

TS TEMPORARY SEEDING

PLANTS, PLANTING RATES, AND PLANTING DATES FOR TEMPORARY COVER OR COMPANION CROPS

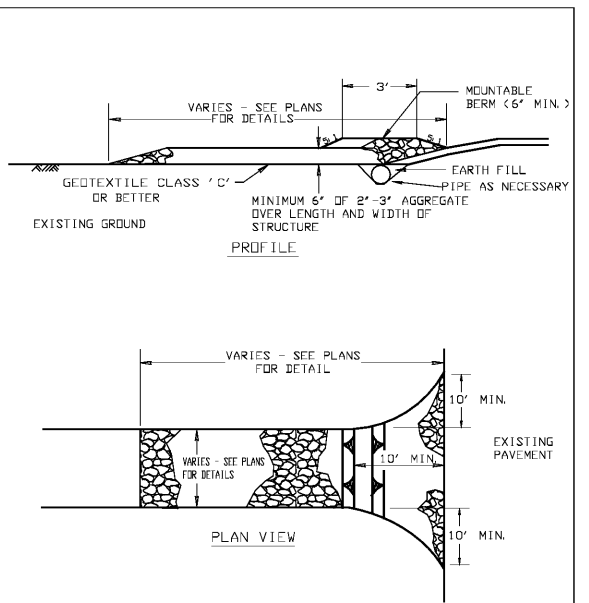
| SPECIES | BROADCAST Rates PLS per Acre 1000 SF | RESOURCE | REMARKS |
|---|--|---------------------|--|
| SOYGRASS ALONE | 40 lbs. 0.9 lb. 10 lbs. 0.2 lb. | NORTH CENTRAL SOUTH | |
| WHEAT ALONE | 3 lb. 3.9 lb. (168 lbs.) | NORTH CENTRAL SOUTH | |
| MILLET, BROWNTOP (Panicum fasciculatum) ALONE IN MIXTURES | 40 lbs. 0.9 lb. 10 lbs. 0.2 lb. | NORTH CENTRAL SOUTH | 137,000 SEED PER POUND QUICK GROW COVER WILL PROMOTE 100 MOUNT COMPELTON IN MIXTURES F SEEDS AT HIGH RATES |
| IRC (Suaeda carolinensis) ALONE IN MIXTURES | 3 lb. 3.9 lb. (168 lbs.) 1/2 lb. 0.6 lb. (28 lbs.) | NORTH CENTRAL SOUTH | 16,000 SEED PER POUND DENSE COVER DROUGHT TOLERANT AND WINTER-HARBY |
| RYEGRASS, ANNUAL (Lolium temulentum) ALONE | 30 lbs. 0.7 lb. | NORTH CENTRAL SOUTH | 227,000 SEED PER POUND DENSE COVER VERY COMPETITIVE AND IS NOT TO BE USED IN MIXTURES |
| COMMON BERMUDAGRASS ALONE | 10 lbs. 0.25 lb. | NORTH CENTRAL SOUTH | |
| CRIMSON CLOVER ALONE | 10 lbs. 0.25 lb. | NORTH CENTRAL SOUTH | |

SEEDING

Construction Specifications:
 Timing:
 Apply permanent seeding on areas left dormant for 1 year or more.
 Apply permanent seeding when no further disturbances are planned.
 To determine optimum seeding schedule, consult a local agronomist or erosion control specialist.
 Apply permanent seeding before seasonal rains or freezing weather is anticipated.
 Use dormant seeding for late fall or winter seeding schedules.
 Seed Mixes:
 Use seeds appropriate to the season and site conditions.
 Consult local agronomist or erosion control specialists for seed mix.
 Use a seed blend to include annuals, perennials and legumes.
 Use seed rates based on pure live seed (PLS) of 100%. When PLS is below 100% adjust rates accordingly.
 Site Preparation:
 Bring the planting area to final grade and install the necessary erosion control practices.
 Divert concentrated flows away from the seeded area.
 Conduct soil test to determine pH and nutrient content. Roughen the soil by harrowing, tracking, grooving or furrowing.
 Apply amendments as needed to adjust pH to 6.0-7.5. Incorporate these amendments into the soil.
 Prepare a 3-5 inch (76-127 mm) deep seedbed, with the top 3-4 inches (76-102 mm) consisting of topsoil.
 The seedbed should be firm but not compact. The top three inches of soil should be loose, moist and free of large clods and stones.
 The topsoil surface should be in reasonably close conformity to the lines, grades and cross sections shown on the grading plans.
 Planting:
 Seed to soil contact is the key to good germination.
 Seed should be applied immediately after seedbed preparation while the soil is loose and moist. If the seedbed has been idle long enough for the soil to become compact, the topsoil should be harrowed with a disk, spring tooth drag, spike tooth drag, or other equipment designed to condition the soil for seeding.
 Harrowing, tracking or furrowing should be done horizontally across the face of the slope.
 Seed to soil contact is the key to good germination.
 Always apply seed before applying mulch.
 Apply seed at the rates specified using calibrated seed spreaders, cyclone seeders, mechanical drills, or hydroseeder so the seed is applied uniformly on the site.
 Broadcast seed should be incorporated into the soil by raking or chain dragging, and then lightly compacted to provide good seed-soil contact.
 Apply fertilizer as specified.
 Apply mulch or erosion control blanket, as specified, over the seeded areas. Inspection and Maintenance:
 Newly seeded areas need to be inspected frequently to ensure the grass is growing.
 If the seeded area is damaged due to runoff, additional stormwater measures may be needed.
 Spot seeding can be done on small areas to fill in bare spots where grass did not grow properly.

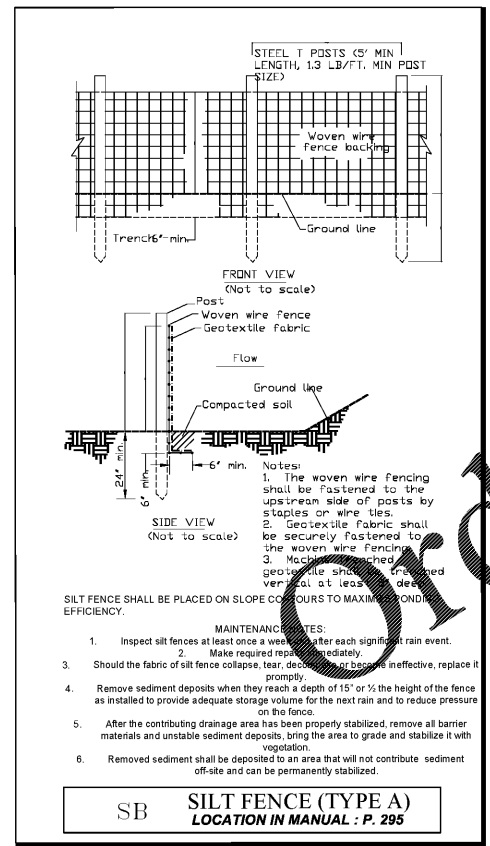
NOTE: DURING "HIGH FLOW" MONTHS SEEDING CONTRACTOR TO SPREAD MULCH OR MAT FOR SOIL STABILIZATION.

- * USE A MINIMUM OF 40 LBS. SCARIFIED SEED, REMAINDER MAY BE UNSCARIFIED, CLEAN HULLED SEED.
- * USE EITHER COMMON SERMIA OR INTERSTATE SERICEA LESPEDeza.
- ALL AREAS TO BE SEEDING SHALL HAVE LIME APPLIED AT A RATE OF 90 LB./1000 S.F. LIME AND FERTILIZER TO BE APPLIED PRIOR TO APPLICATION OF SEED AND MIXED THOROUGHLY WITH THE SOIL.
- ALL AREAS SEEDING SHALL HAVE AN APPLICATION OF STRAW MULCH (APPROXIMATELY 2 1/2 TONS PER ACRE) IMMEDIATELY AFTER PLANTING REGARDLESS OF PLANTING METHOD.
- MAINTAIN 1 YEAR MINIMUM
- LIME: AGRICULTURAL LIME 1 TON PER ACRE (EXCEPTION ON SANDY SOILS - IF THE COVER WILL BE TALL FESCUE AND CLOVER) USE 2 TONS PER ACRE. DO NOT APPLY LIME TO ALKALINE SOILS.
- FERTILIZER:
 GRASSES ALONE - USE 400 LBS PER ACRE OF 8-24-24 OR EQUIVALENT. APPLY 30 LBS OF ADDITIONAL NITROGEN WHEN GRASSES HAS EMERGED AND BEGUN GROWTH (APPROXIMATELY 0.8 LBS/1000 S.F.).
 GRASS-LEGUME MIXTURES: USE 800 TO 1200 LBS/ACRE OF 5-10-10 OR EQUIVALENT.
 LEGUMES ALONE: USE 800 TO 1200 LBS/ACRE OF 0-10-10 OR EQUIVALENT.

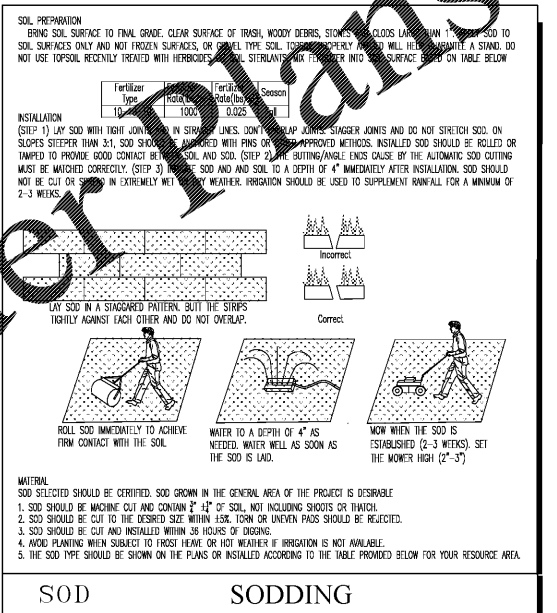


Construction Entrance Notes:
 1. A stabilized pad of crushed stone shall be located where traffic will be entering or leaving a construction site to or from a public street.
 2. Stone to be No. 57 filter stone.
 3. The entrance shall be maintained in a condition which will prevent tracking or flowing of sediment onto public streets or existing pavement. This may require periodic top dressing with additional stone as conditions demand and repair and/or clean out of any measures used to trap sediment.
 4. All sediment spilled, dropped, washed or tracked onto public streets must be removed immediately.
 5. When necessary wheels must be cleaned to remove sediment prior to entering a public street. When washing is required, it shall be done on an area stabilized with crushed stone which drains into an approved sediment basin.
 6. Filter fabric shall be MiraFl 500 approved.

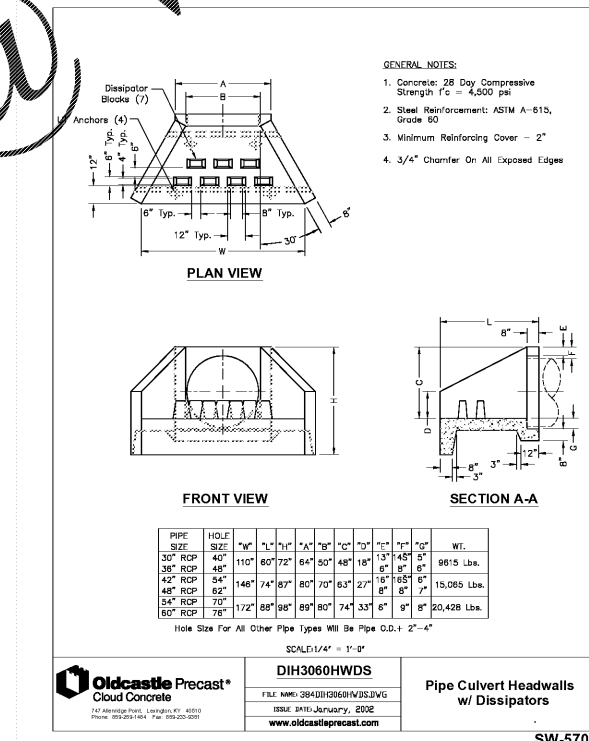
CEP CONSTRUCTION ENTRANCE DETAIL N.T.S.



SB SILT FENCE (TYPE A) LOCATION IN MANUAL : P. 295



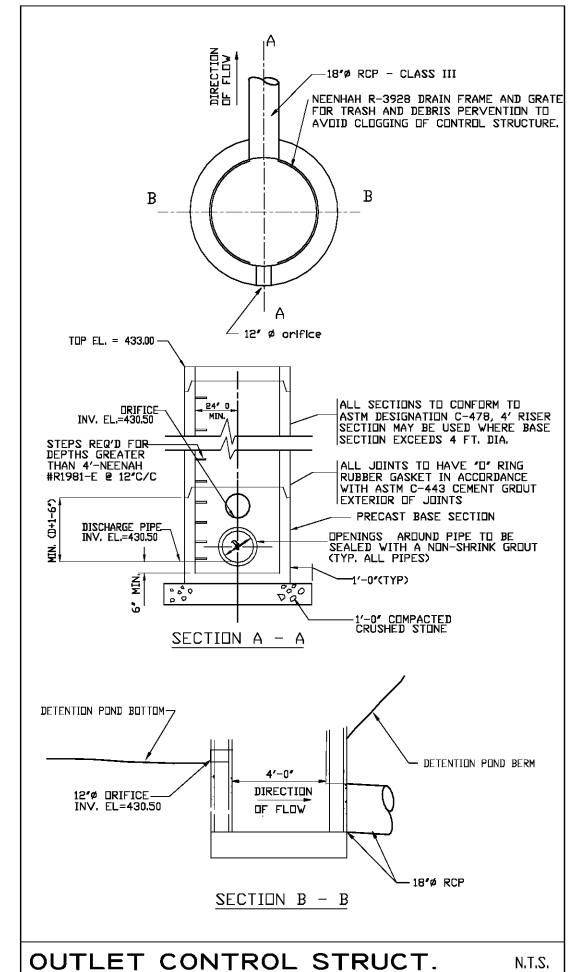
SOD SODDING



Oldcastle Precast Cloud Concrete

| PIPE SIZE | HOLE SIZE | Wt. |
|-----------|-----------|------------|
| 30" RCP | 48" | 98.5 Lbs. |
| 36" RCP | 48" | 110.0 Lbs. |
| 42" RCP | 54" | 146.0 Lbs. |
| 48" RCP | 62" | 180.0 Lbs. |
| 54" RCP | 70" | 210.0 Lbs. |
| 60" RCP | 78" | 240.0 Lbs. |

SW-570



OUTLET CONTROL STRUCT. N.T.S.

WWW.LDILine.com

REVISIONS

| NO. | DESCRIPTION | DATE |
|-----|-------------|------|
| | | |

SECTIONS AND DETAILS
 HUDDLE HOUSE
 U.S. HWY 78, JASPER, AL
 FOR
 HUDDLE HOUSE
 SANDY SPRINGS, GEORGIA

GONZALEZ - STRENGTH & ASSOCIATES, INC.
 CIVIL ENGINEERING, LAND SURVEYING, PLANNING, TRAFFIC & TRANSPORTATION
 2176 PARKWAY LAKE DRIVE
 HOOVER, ALABAMA 35244
 PHONE: (205) 942-2486
 FAX: (205) 942-2033
 www.Gonzalez-Strength.com
 © Copyright 2008

FOR P.A.N REVIEW ONLY
 NOT FOR CONSTRUCTION
 JUNE 14 2019

DWG. NO.
 C6 - R0
 PROJECT
 19-0256