



JOB NO. L1907

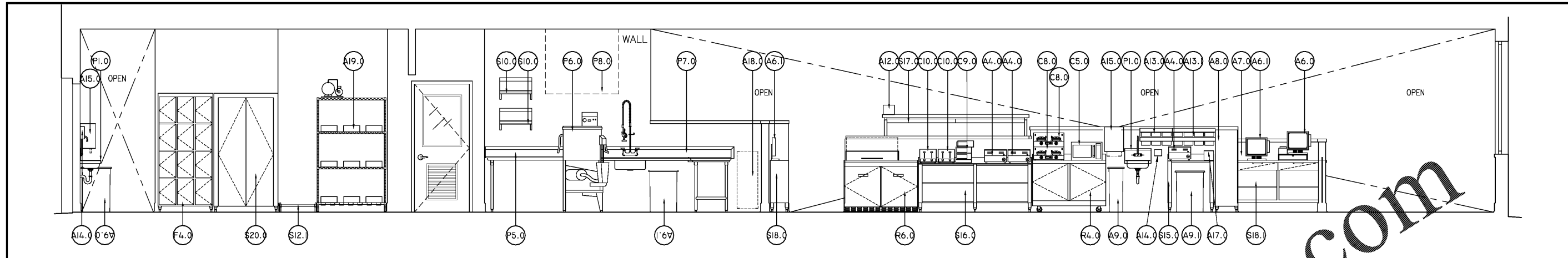
NORWOOD ARCHITECTS
 807 Forester St. N.W.
 Atlanta, Georgia 30318
 ph. 678-921-0302 fax. 678-921-0301 www.norwoodarchitect.com

HUDDLE HOUSE
 EVO 2000 RESTAURANT
 2029 HWY 78 E JASPER, AL
 WALKER CO. 35501

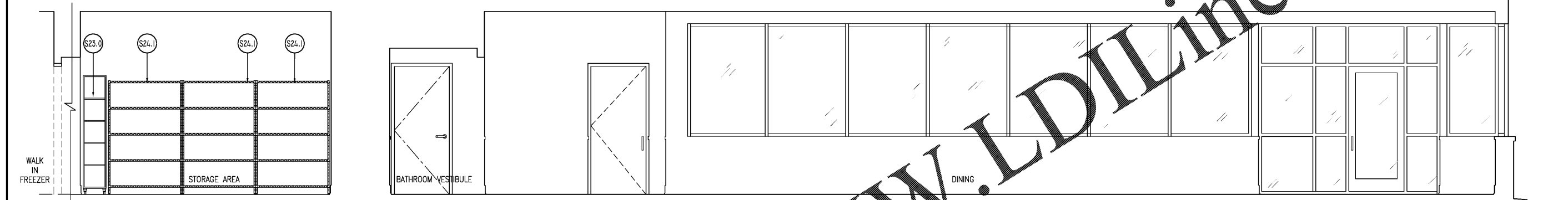
| NO. | ISSUE DATE |
|-----|--------------------------|
| 1 | PERMIT SET 07/12/2019 |

DRAWING NUMBER
 FOOD SERVICE EQUIP. ELEVATIONS

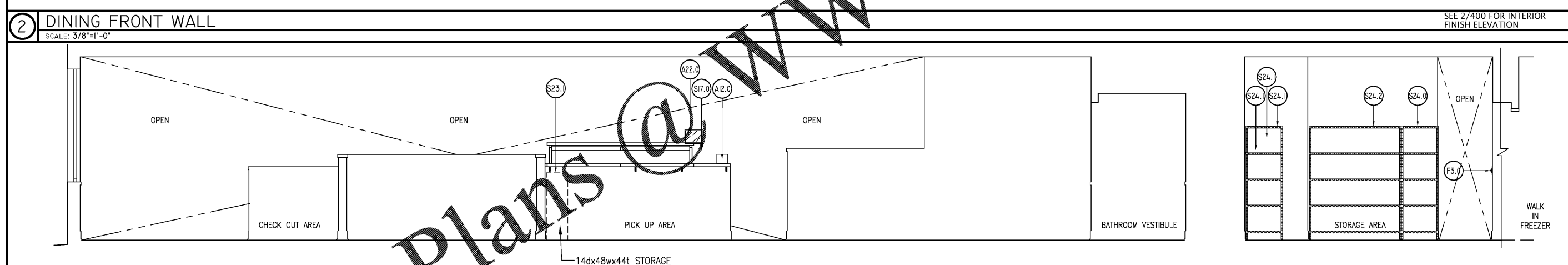
A702



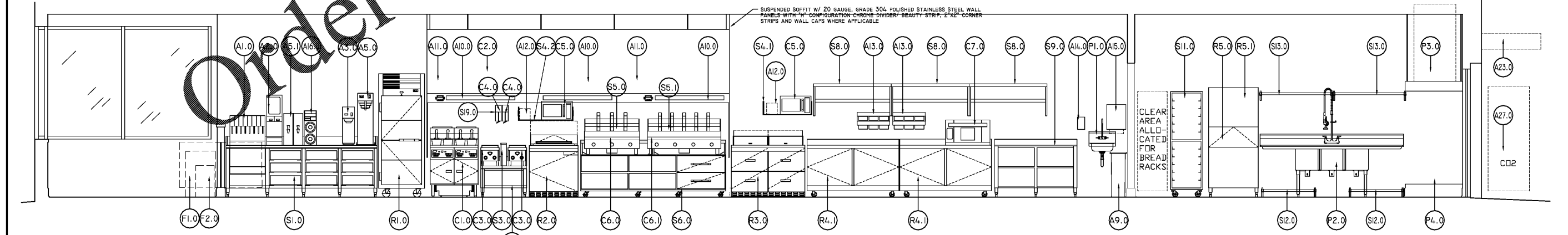
1 COOK LINE FRONT WALL
 SCALE: 3/8"=1'-0"
 SEE 1/400 FOR INTERIOR FINISH ELEVATION



2 DINING FRONT WALL
 SCALE: 3/8"=1'-0"
 SEE 2/400 FOR INTERIOR FINISH ELEVATION



3 DINING KITCHEN SIDE WALL
 SCALE: 3/8"=1'-0"
 SEE 3/400 FOR INTERIOR FINISH ELEVATION



4 COOK LINE REAR WALL
 SCALE: 3/8"=1'-0"
 SEE 4/400 FOR INTERIOR FINISH ELEVATION

Order Plans @ www.LDOnline.com