

JOB NO. L1907

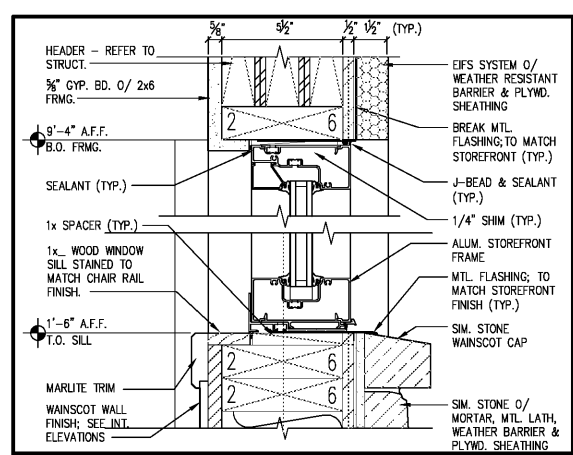
NORWOOD ARCHITECTS
807 Forester Ln NW
Atlanta, Georgia 30318
ph: 678-921-0302 fax: 678-921-0301 www.norwoodarchitect.com

HUDDLE HOUSE
EVO 2000 RESTAURANT
2029 HWY 78 E JASPER, AL
WALKER CO. 35501

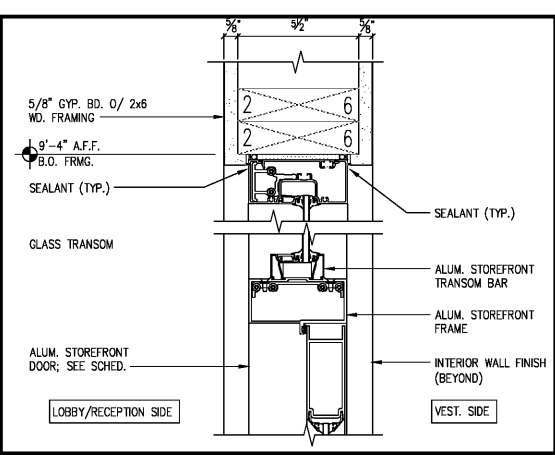
NO.	ISSUE DATE
	PERMIT SET 07/12/2019

DRAWING NUMBER
DOOR AND WINDOW DETAILS

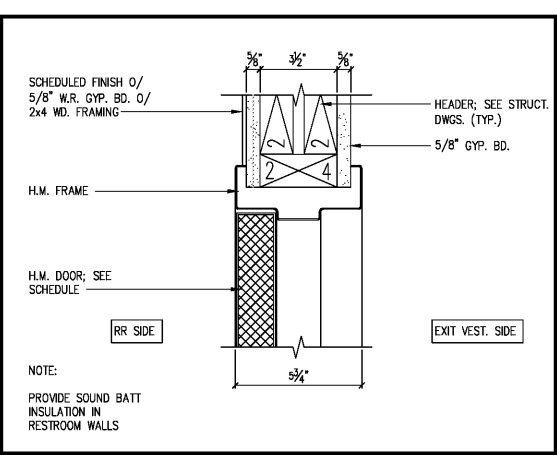
A602
ISSUED FOR CONSTRUCTION



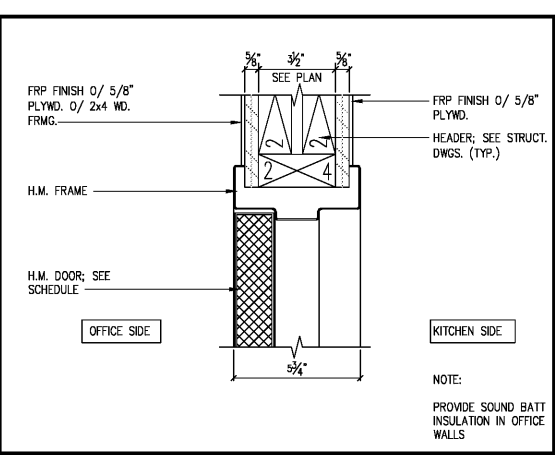
1 HEAD/SILL DETAIL WINDOW SCALE: 3\"/>



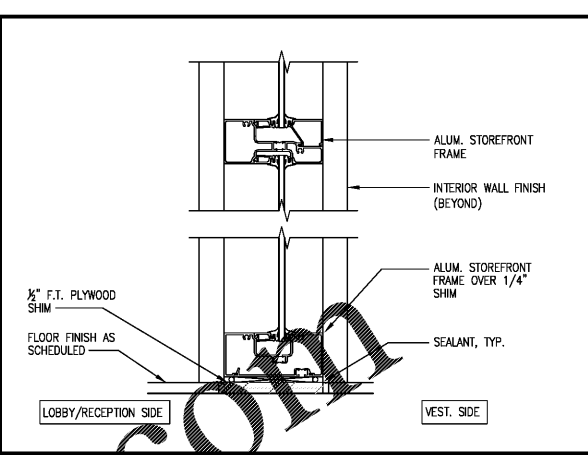
5 HEAD DETAIL DOOR TYPE "B" DOOR WINDOW SCALE: 3\"/>



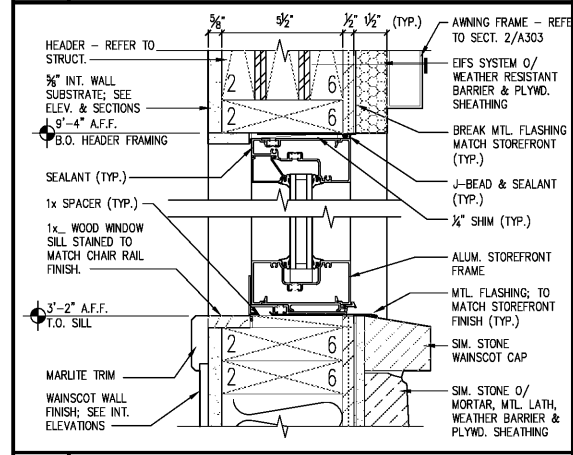
9 HEAD DETAIL DOOR TYPE "F" DOORS SCALE: 3\"/>



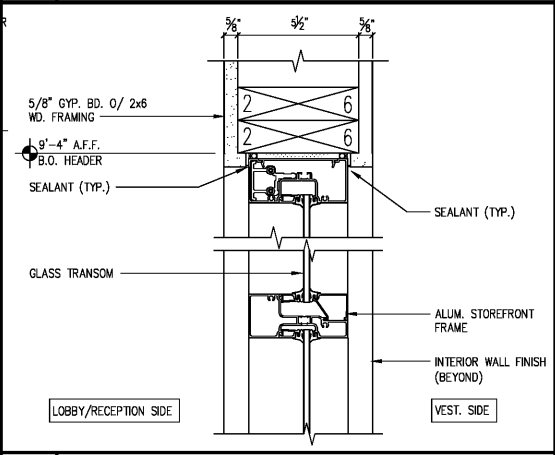
13 HEAD DETAIL DOOR TYPE "E" DOOR SCALE: 3\"/>



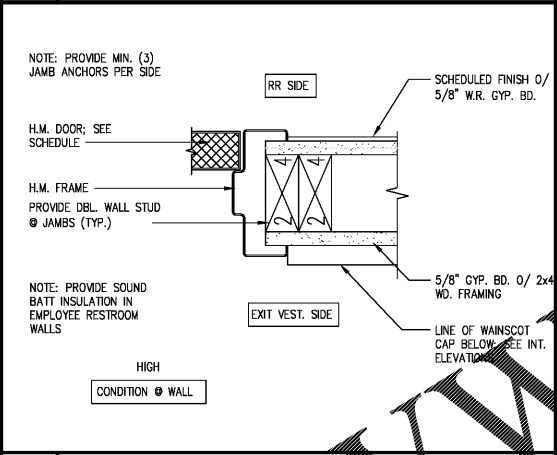
17 SILL DETAIL WINDOW SCALE: 3\"/>



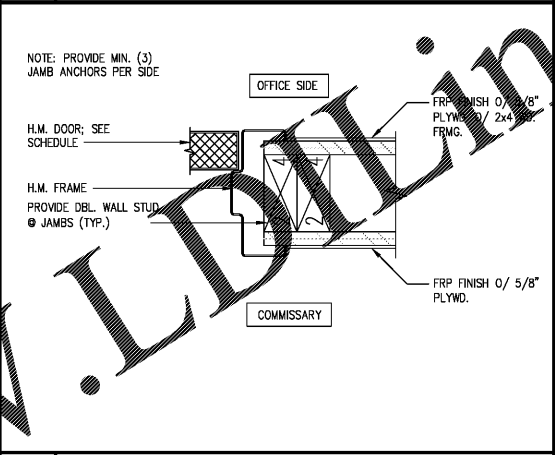
2 HEAD/SILL DETAIL WINDOWS SCALE: 3\"/>



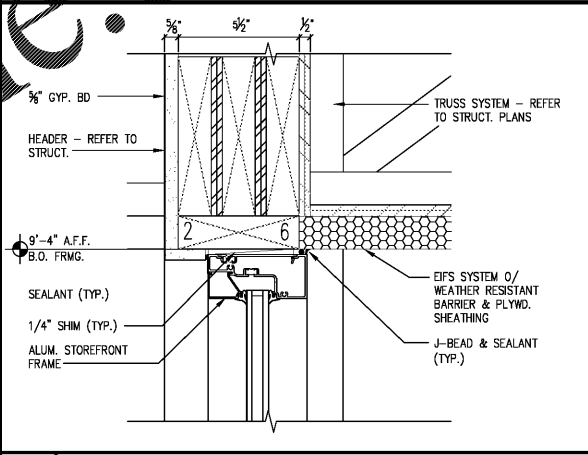
6 HEAD DETAIL WINDOW SCALE: 3\"/>



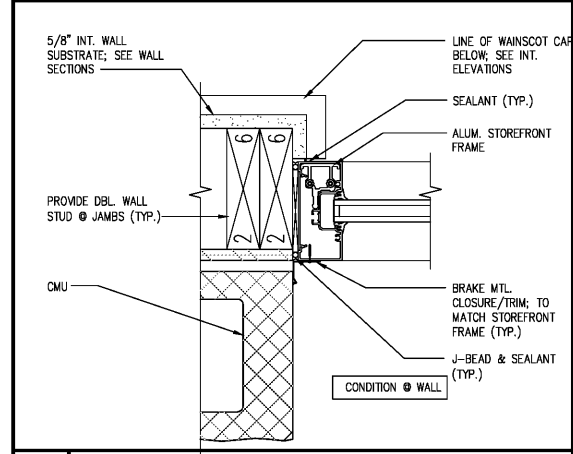
10 JAMB DETAIL DOOR TYPE "B" DOORS SCALE: 3\"/>



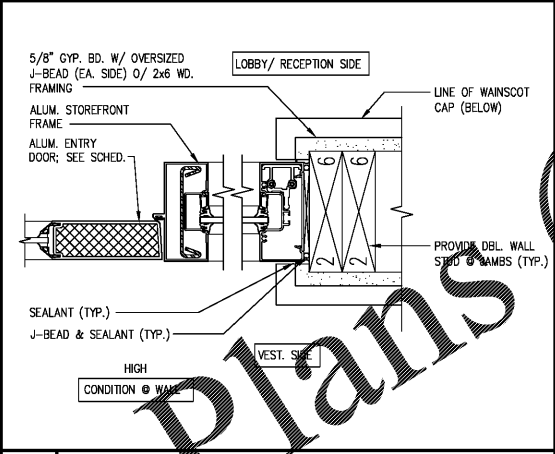
14 JAMB DETAIL DOOR TYPE "E" DOOR SCALE: 3\"/>



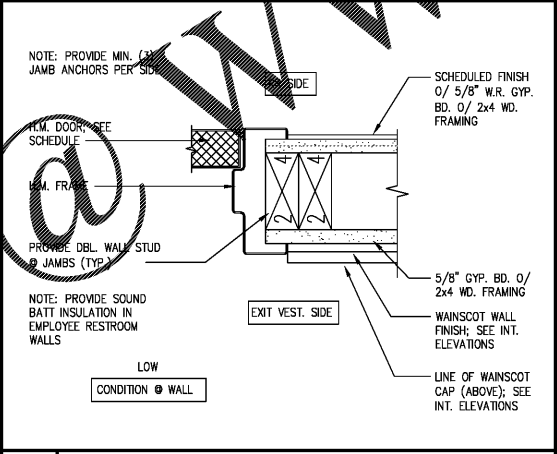
18 HEAD DETAIL WINDOW SCALE: 3\"/>



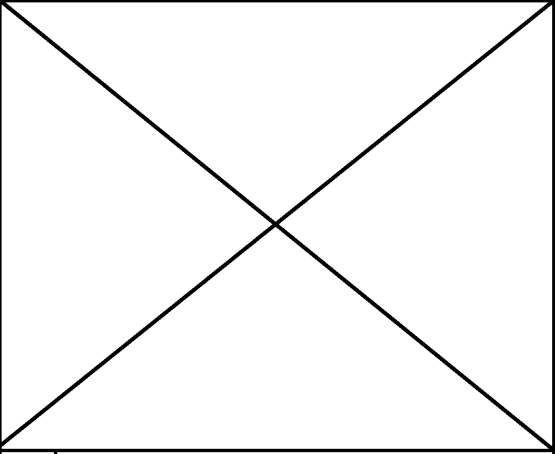
3 JAMB DETAIL WINDOWS SCALE: 3\"/>



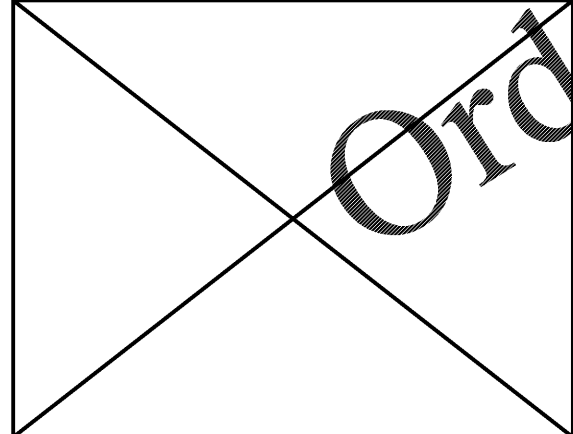
7 JAMB DETAIL DOOR TYPE "B" DOOR WINDOW SCALE: 3\"/>



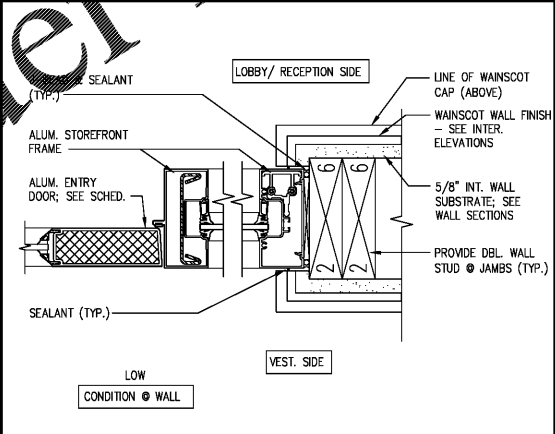
11 JAMB DETAIL DOOR TYPE "F" DOORS SCALE: 3\"/>



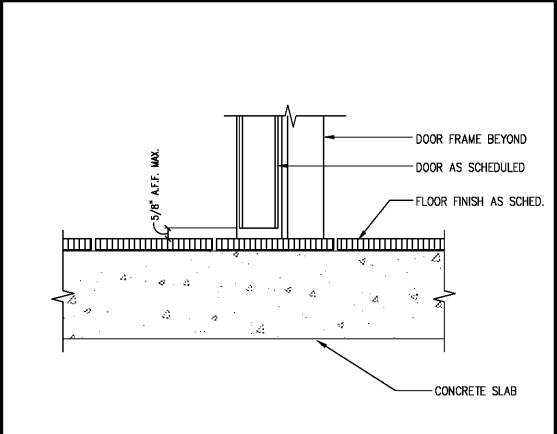
15 NOT USED SCALE: 3\"/>



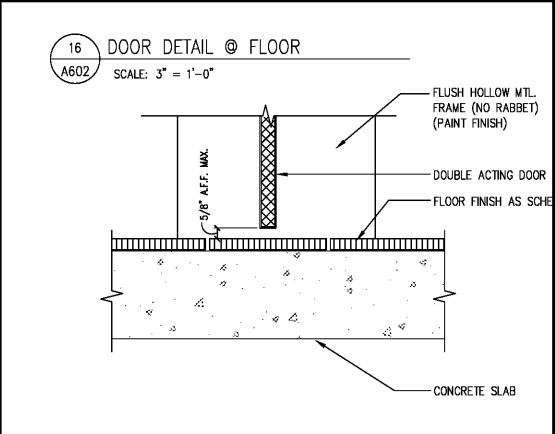
4 NOT USED SCALE: 3\"/>



8 JAMB DETAIL DOOR TYPE "B" DOOR WINDOW SCALE: 3\"/>



12 DOOR DETAIL @ FLOOR DOOR TYPES "B" & "F" DOORS SCALE: 3\"/>



16 DOOR DETAIL @ FLOOR DOOR TYPE "G" DOOR SCALE: 3\"/>

Order Plans

WWW.LDLINE.COM