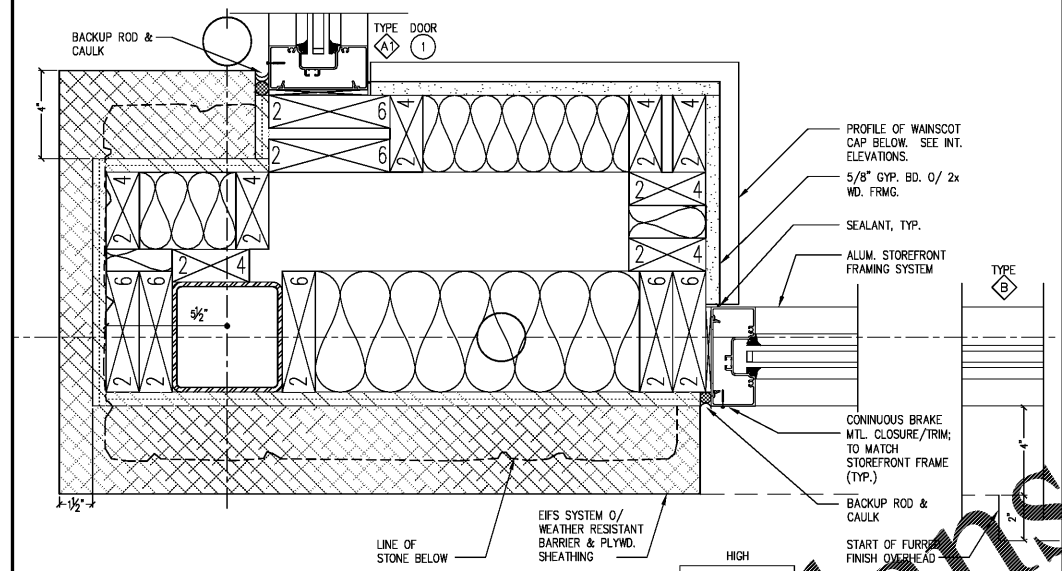
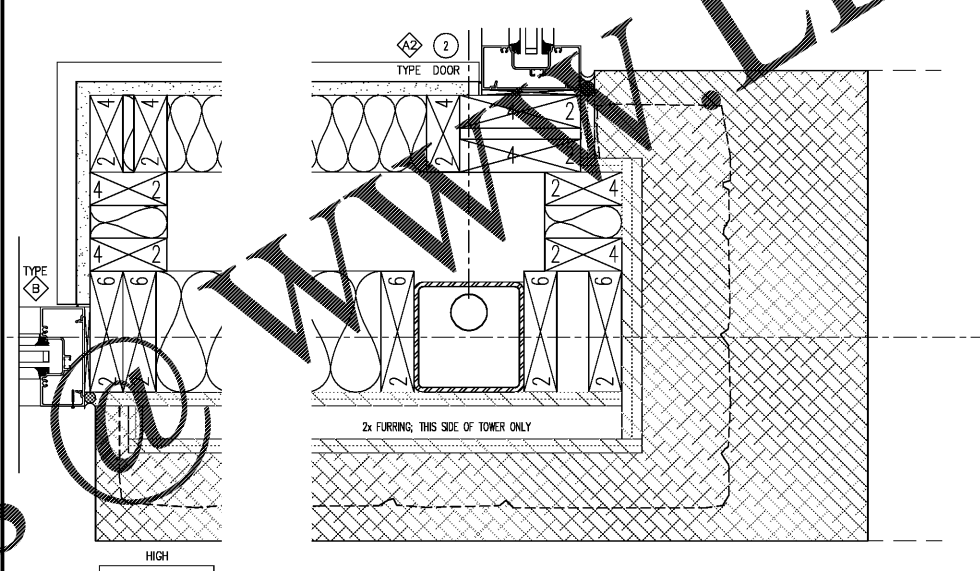


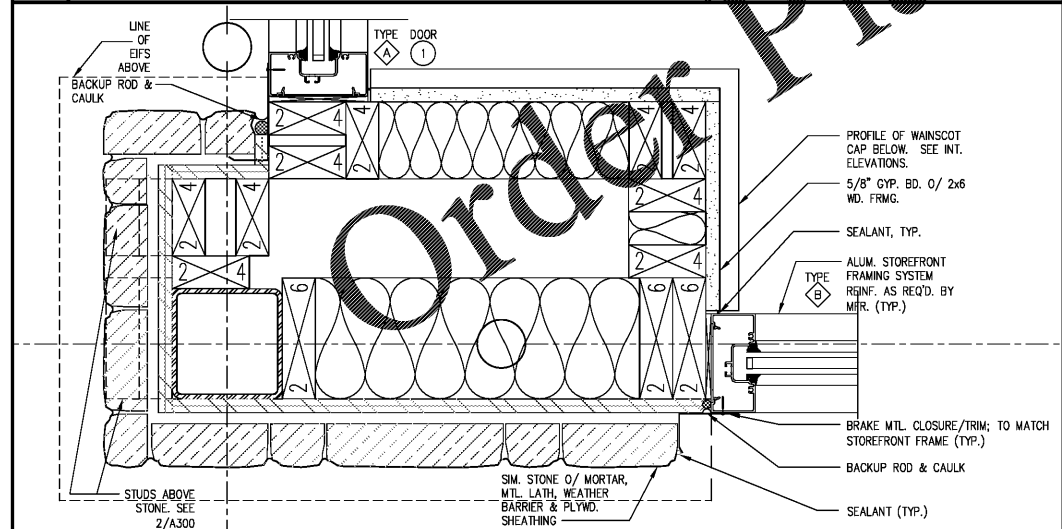
1 ENLARGED VESTIBULE PLAN
 SCALE: 3/4"=1'-0"



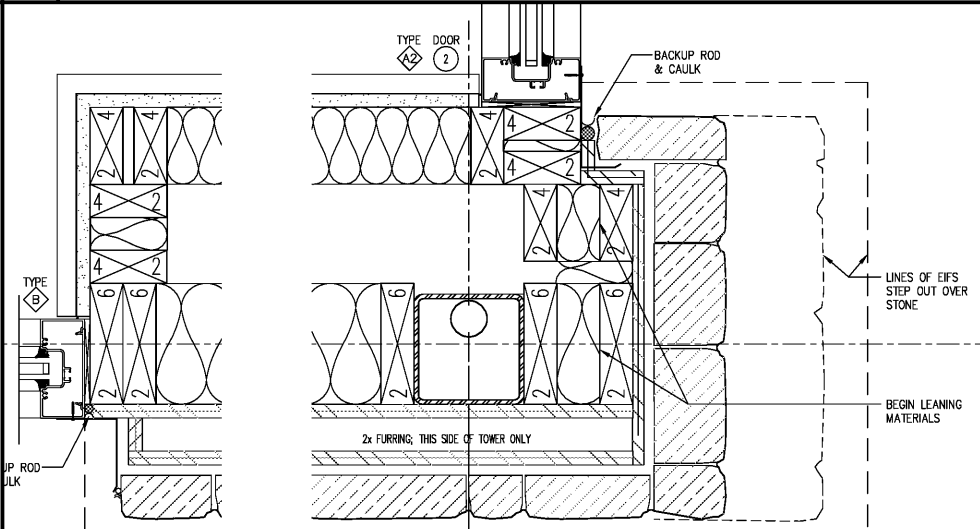
4 JAMB DETAIL
 SCALE: 3/4"=1'-0"



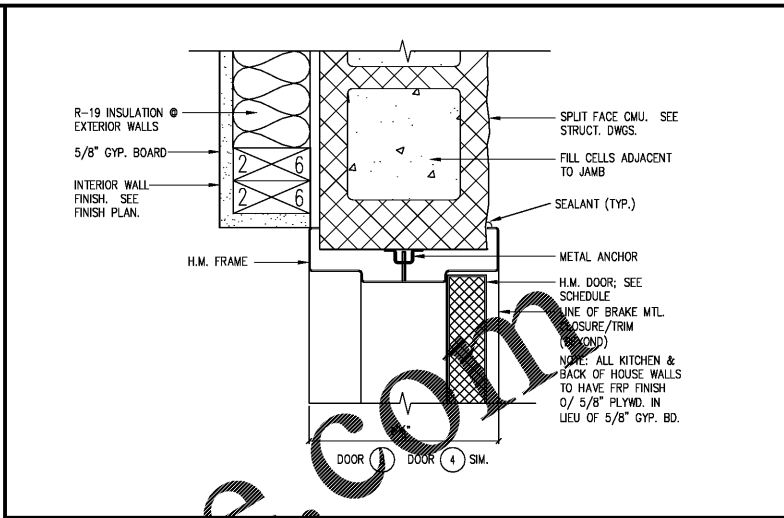
6 JAMB DETAIL
 SCALE: 3/4"=1'-0"



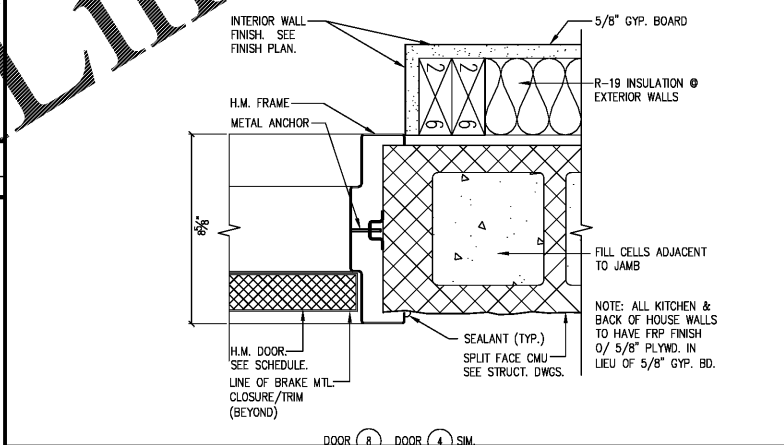
5 JAMB DETAIL
 SCALE: 3/4"=1'-0"



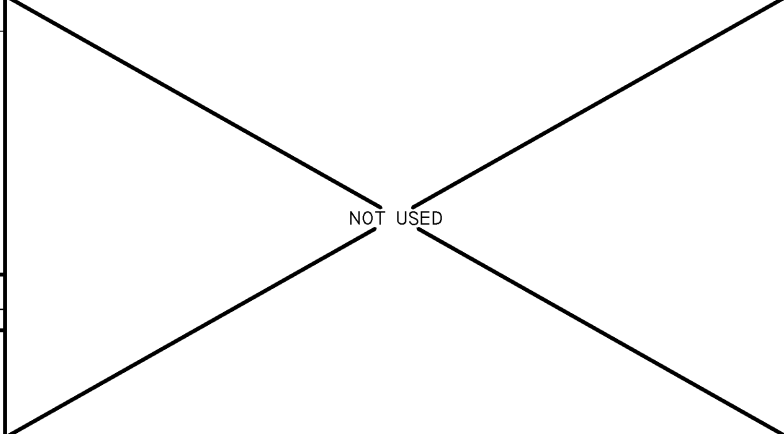
7 JAMB DETAIL
 SCALE: 3/4"=1'-0"



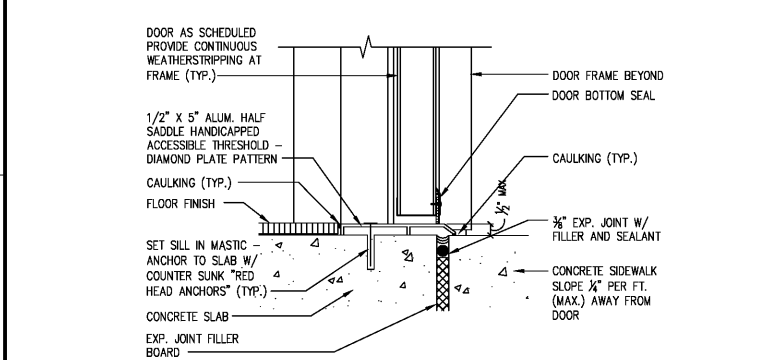
8 HEAD DETAIL
 SCALE: 3/4"=1'-0"



9 JAMB DETAIL
 SCALE: 3/4"=1'-0"



10 JAMB DETAIL
 SCALE: 3/4"=1'-0"



11 TYP. THRESHOLD DETAIL
 SCALE: 3/4"=1'-0"