



JOB NO. L1907

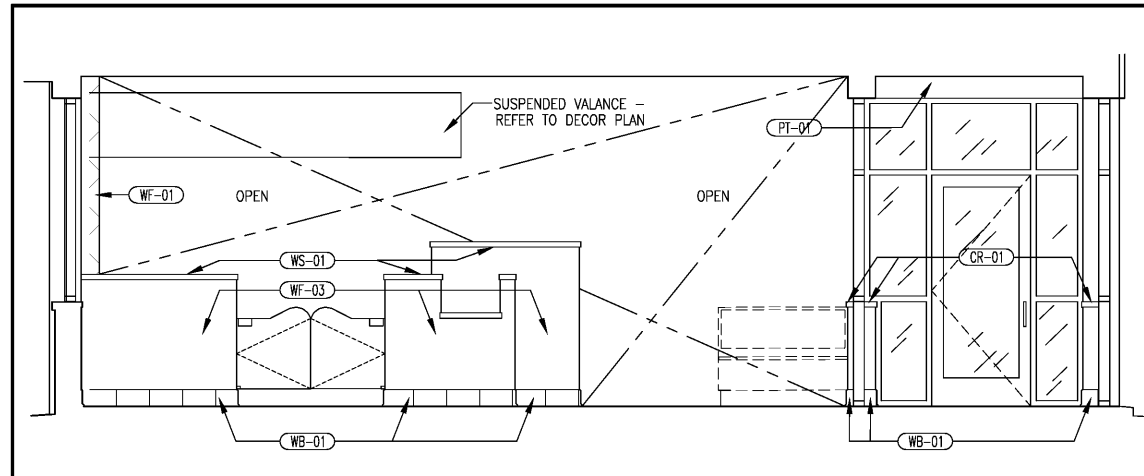
NORWOOD ARCHITECTS
 807 Forest St. N.W.
 Atlanta, Georgia 30318
 ph. 678-921-0302 fax. 678-921-0301 www.norwoodarchitect.com

HUDDLE HOUSE
 EVO 2000 RESTAURANT
 2029 HWY 78 E JASPER, AL
 WALKER CO. 35501

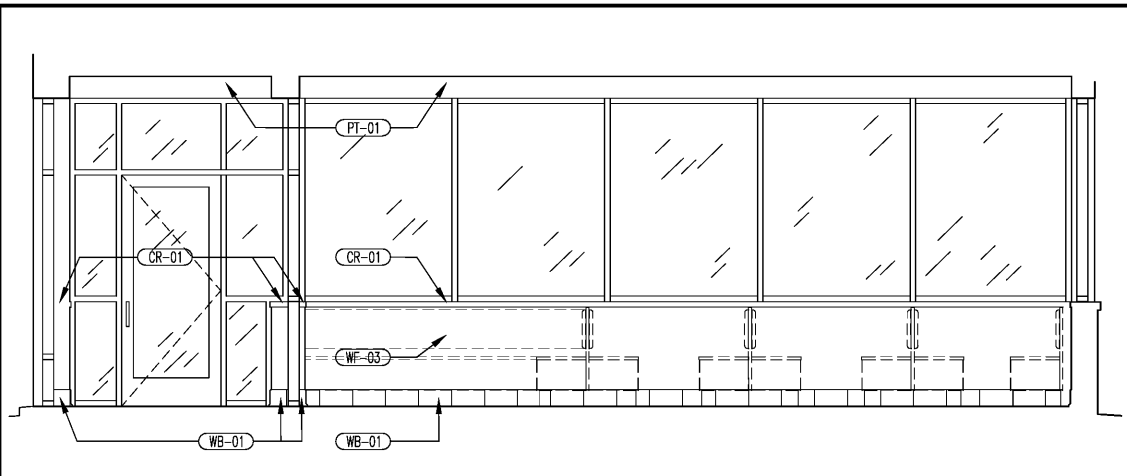
NO.	ISSUE DATE
	PERMIT SET 07/12/2019

DRAWING NUMBER
 INT. FINISH
 ELEVATIONS

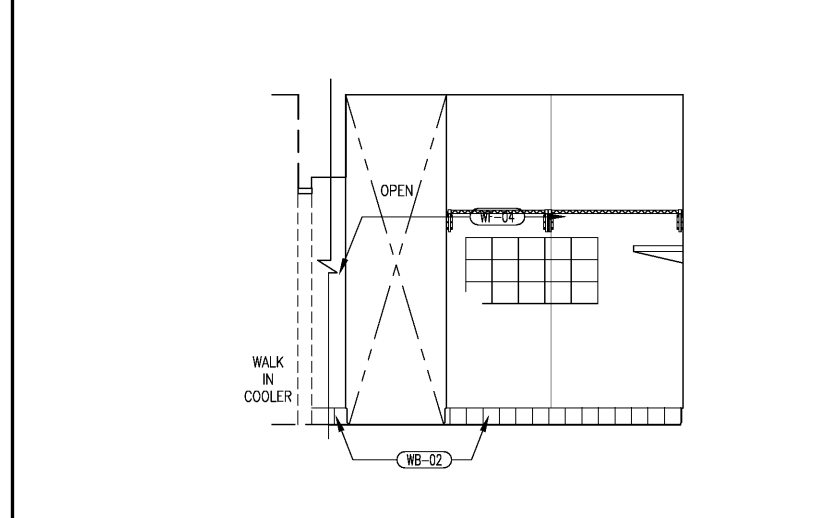
A401



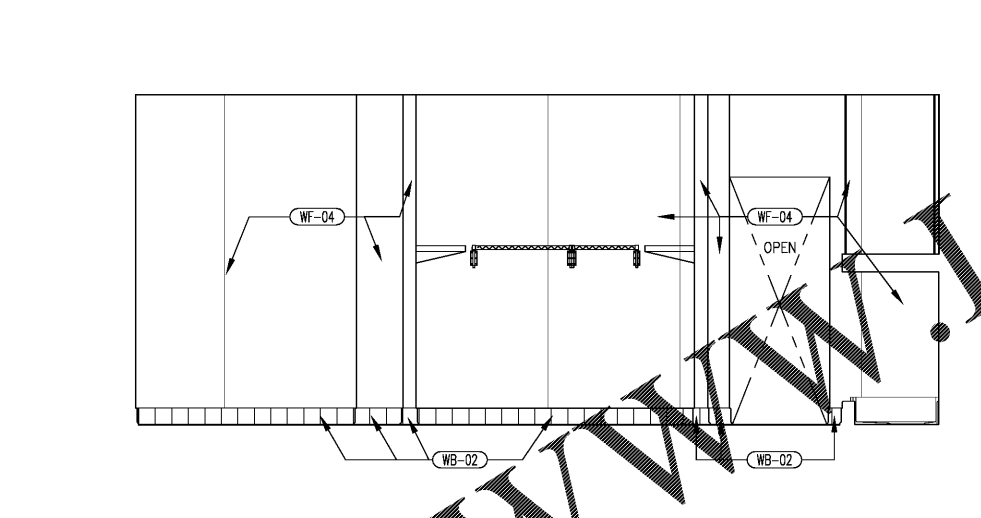
2 ENTRY / DINING CHECK OUT
 SCALE: 3/8"=1'-0"
 SEE 2/703 FOR FOOD SERVICE EQUIPMENT ELEVATION



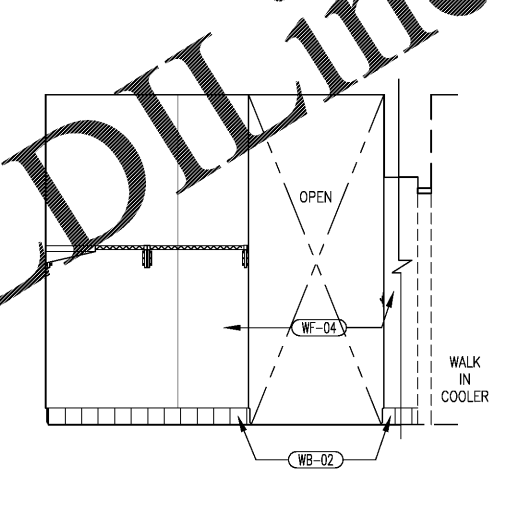
1 ENTRY / DINING VIEW WALL
 SCALE: 3/8"=1'-0"
 SEE 1/703 FOR FOOD SERVICE EQUIPMENT ELEVATION



5 PREP WALL
 SCALE: 3/8"=1'-0"
 SEE 5/703 FOR FOOD SERVICE EQUIPMENT ELEVATION

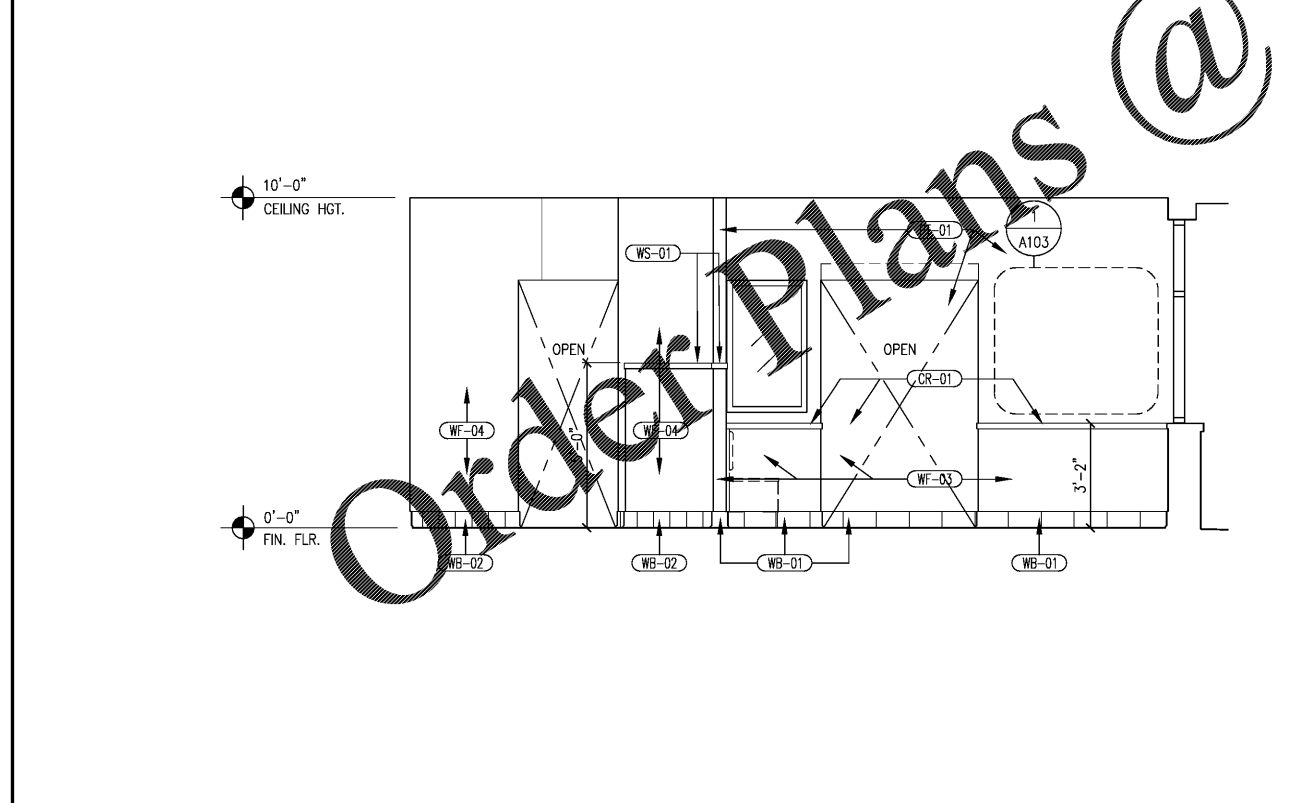


4 PREP TOWARD KITCHEN
 SCALE: 3/8"=1'-0"
 SEE 4/703 FOR FOOD SERVICE EQUIPMENT ELEVATION

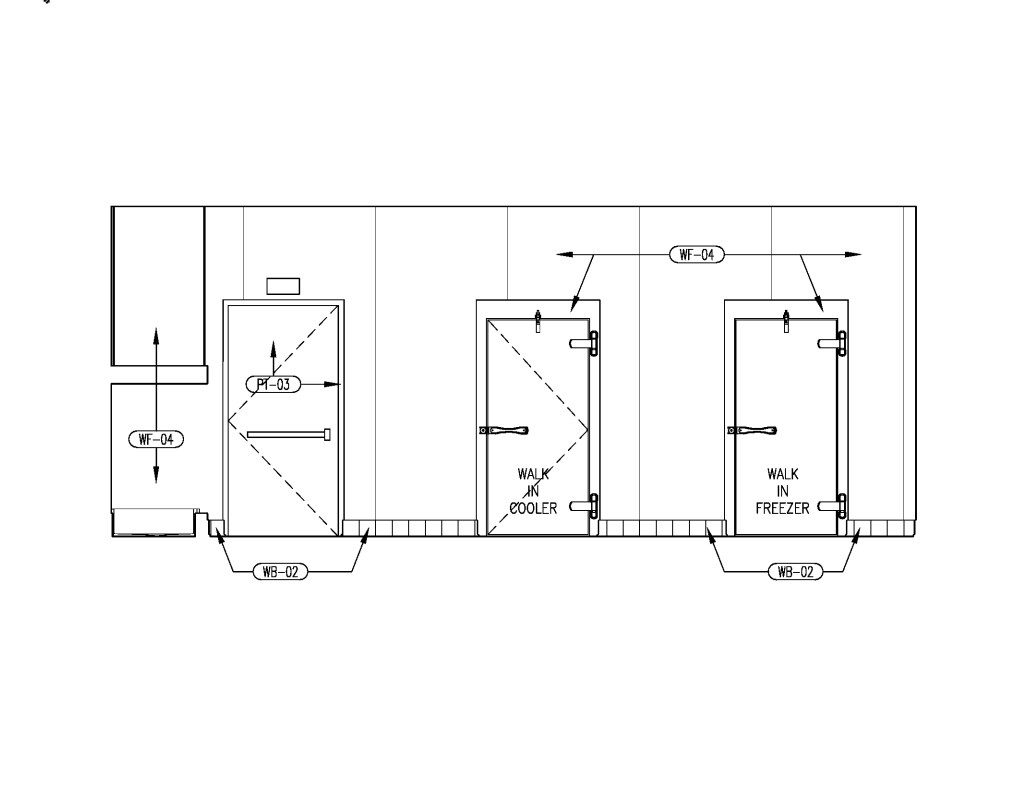


3 PREP WALL
 SCALE: 3/8"=1'-0"
 SEE 3/703 FOR FOOD SERVICE EQUIPMENT ELEVATION

INTERIOR FINISH LEGEND
 SEE SHEET A003



7 REAR KITCHEN & DINING
 SCALE: 3/8"=1'-0"
 SEE 7/703 FOR FOOD SERVICE EQUIPMENT ELEVATION



6 PREP TOWARD WALK INS
 SCALE: 3/8"=1'-0"
 SEE 6/703 FOR FOOD SERVICE EQUIPMENT ELEVATION

WWW.DIline.com

Order Plans @