

JOB NO. LI907

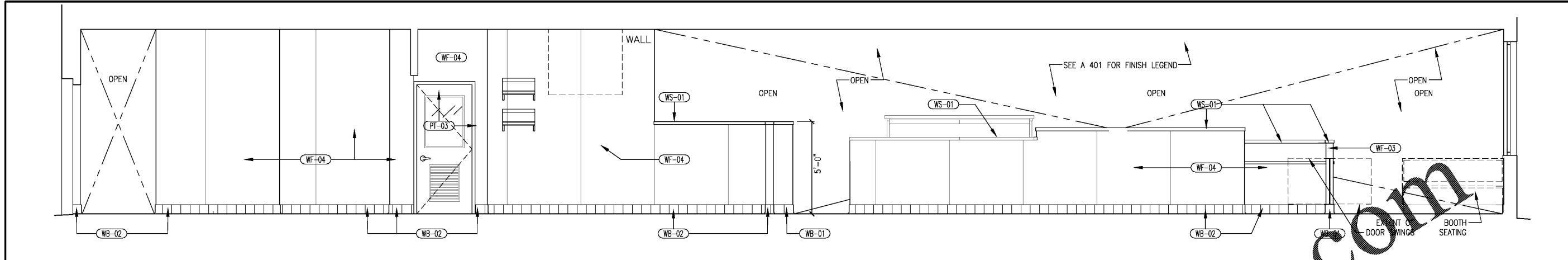
NORWOOD ARCHITECTS  
807 FORREST ST. N.W.  
ATLANTA, GEORGIA 30318  
PH. 678-921-0802 FAX. 678-921-0301 WWW.NORWOODARCHITECTS.COM

**HUDDLE HOUSE**  
EVO 2000 RESTAURANT  
2029 HWY 78 E JASPER, AL  
WALKER CO. 35501

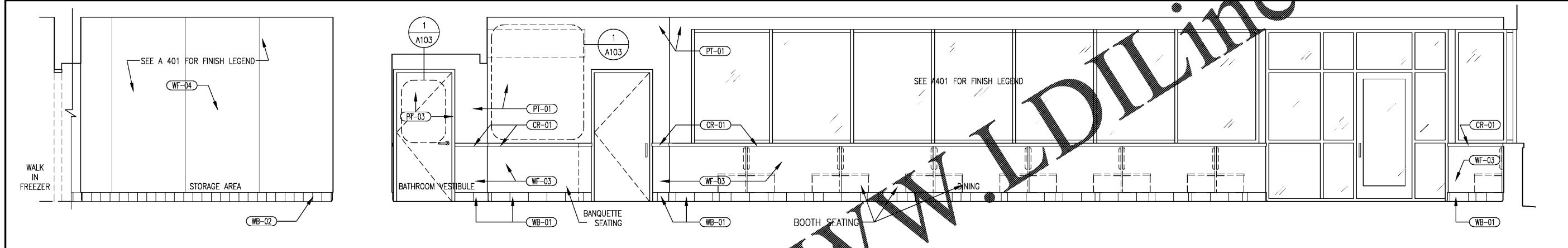
NO. ISSUE DATE  
PERMIT SET  
07/12/2019

DRAWING NUMBER  
INT. FINISH ELEVATIONS

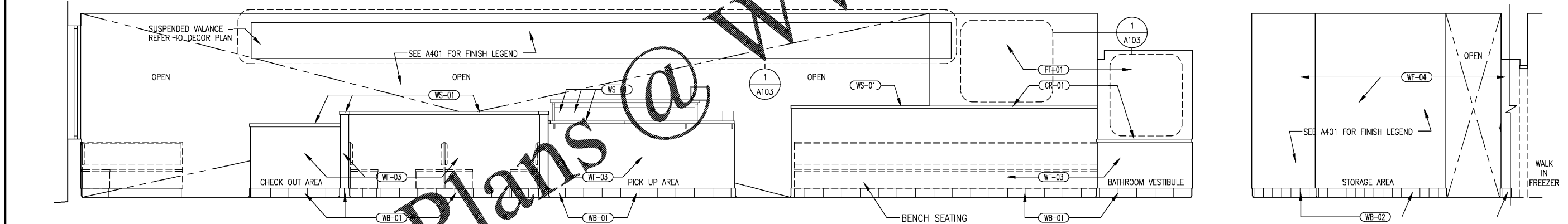
**A400**  
ISSUED FOR CONSTRUCTION



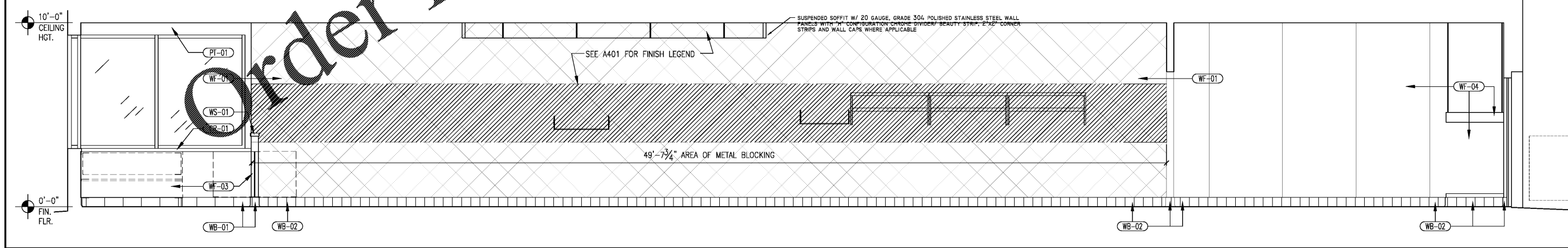
1 COOK LINE FRONT WALL  
SCALE: 3/8"=1'-0"  
SEE 1/702 FOR FOOD SERVICE EQUIPMENT ELEVATION



2 DINING FRONT WALL  
SCALE: 3/8"=1'-0"  
SEE 2/702 FOR FOOD SERVICE EQUIPMENT ELEVATION



3 DINING KITCHEN SIDE WALL  
SCALE: 3/8"=1'-0"  
SEE 3/702 FOR FOOD SERVICE EQUIPMENT ELEVATION



4 COOK LINE REAR WALL  
SCALE: 3/8"=1'-0"  
SEE 4/702 FOR FOOD SERVICE EQUIPMENT ELEVATION