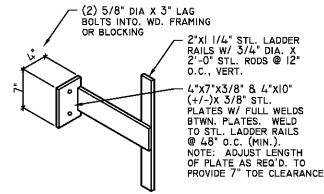
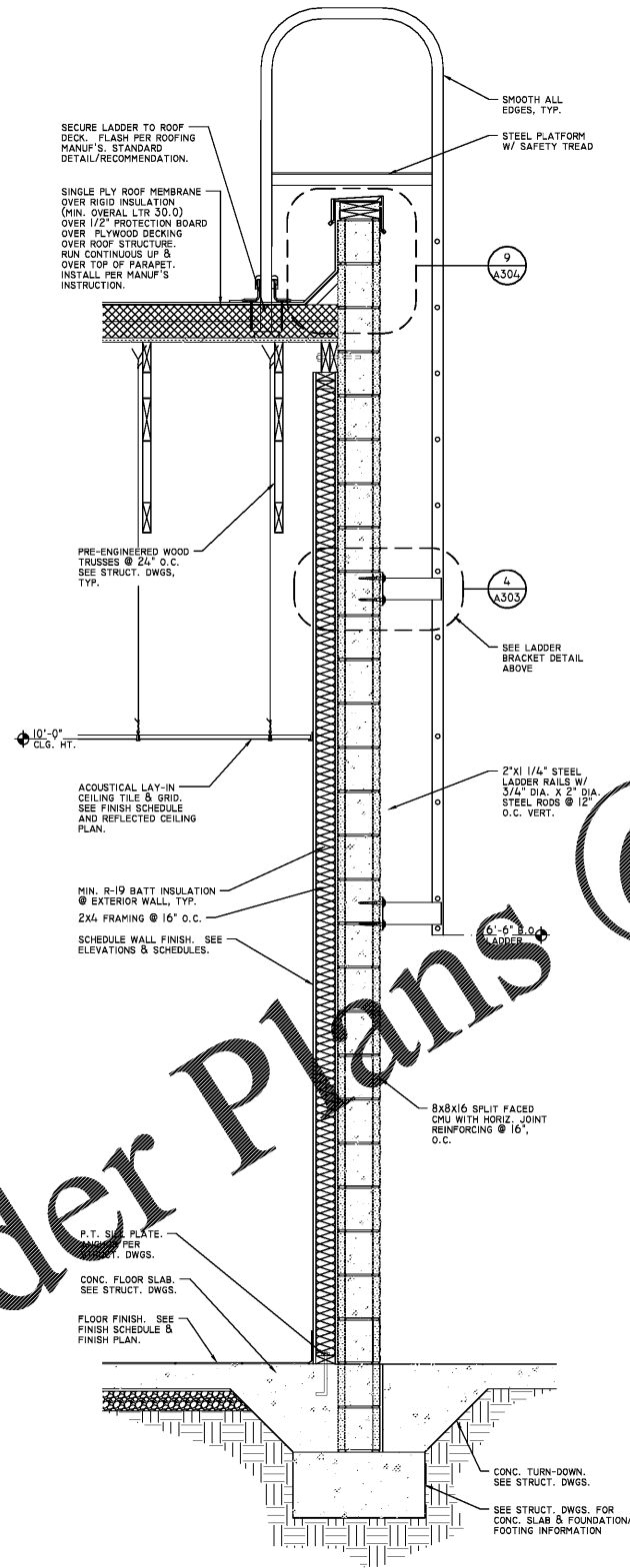


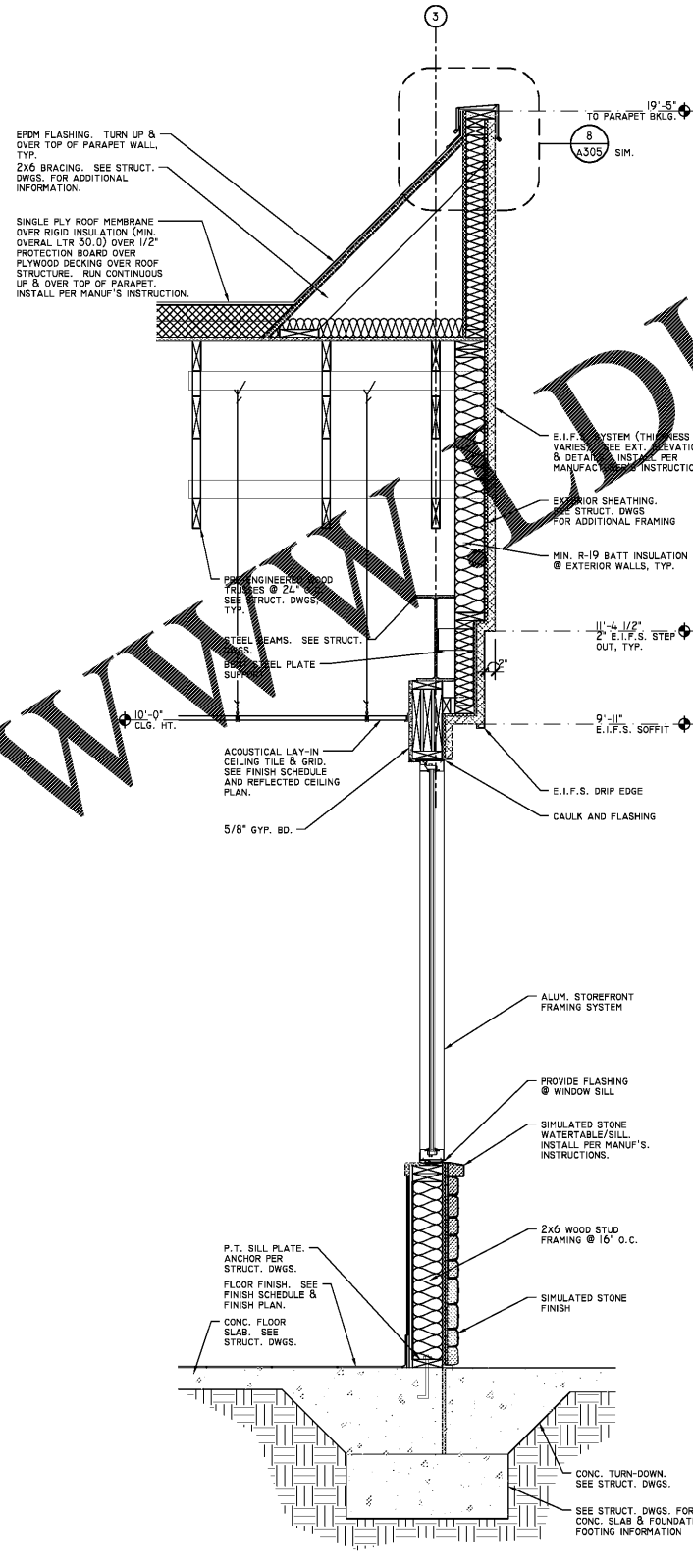
LADDER NOTES:
 LADDER TO BE DESIGNED BY LADDER SUPPLIER & COMPLY TO OSHA & ALL OTHER APPLICABLE CODES.
 LADDER TO BE FULLY WELDED.
 INSTALL LADDER PRIOR TO WALL FINISHES.
 ALL STEEL TO BE HOT-DIPPED GALVANIZED.
 MAINTAIN 7" MIN. TOE CLEARANCE BETWEEN LADDER RUNG & WALL.
 PAINT TO MATCH ADJACENT WALL COLOR.



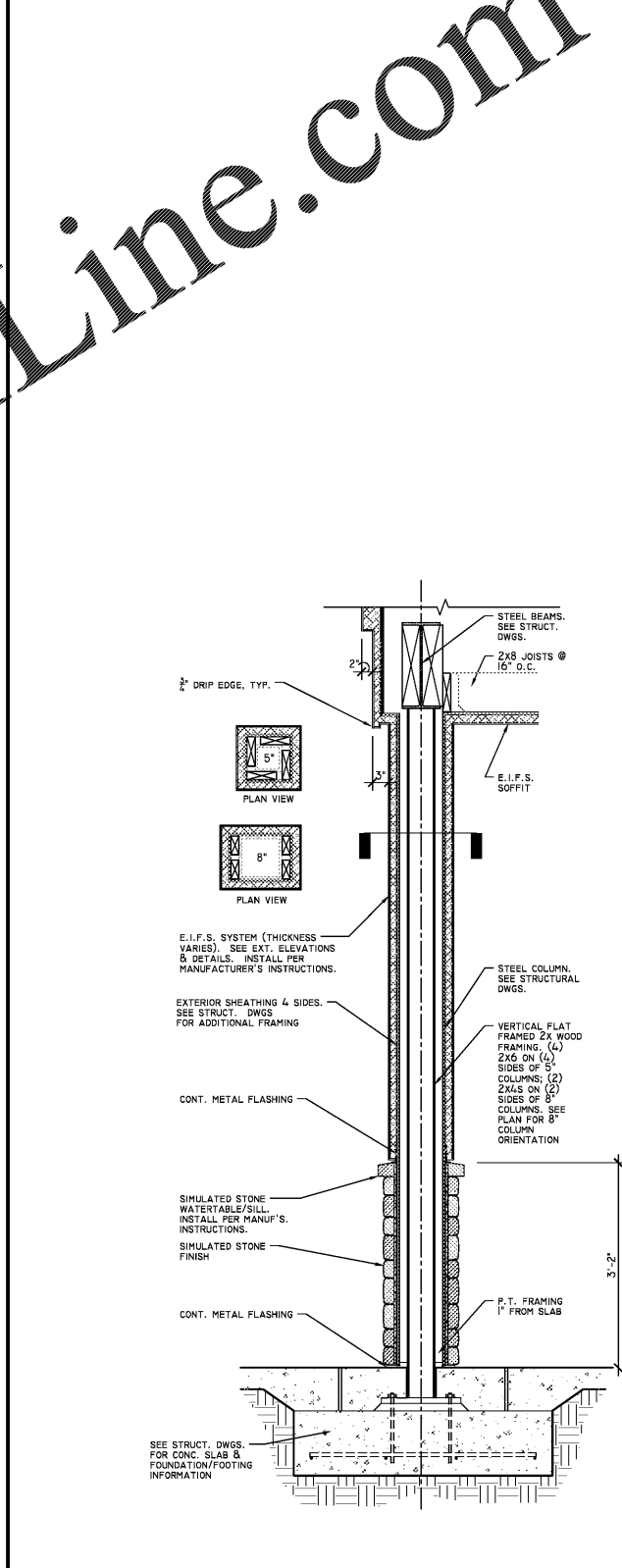
4 LADDER BRACKET DETAIL
 SCALE: N.T.S.



1 WALL SECTION
 SCALE: 3/4"-1'-0"



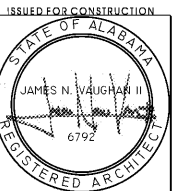
2 WALL SECTION
 SCALE: 3/4"-1'-0"



3 CLAD COLUMN SECTION
 SCALE: 3/4"-1'-0"

Order Plans @

WWW.DIline.com



JOB NO. L1907

NORWOOD ARCHITECTS
 807 Forester Ln. NW
 Atlanta, Georgia 30318
 ph: 678-921-0302 fax: 678-921-0301 www.norwoodarchitect.com

HUDDLE HOUSE
 EVO 2000 RESTAURANT
 2029 HWY 78 E JASPER, AL
 WALKER CO. 35501

NO. ISSUE DATE
 PERMIT SET
 07/12/2019

DRAWING NUMBER
 WALL SECTIONS

A303