

JOB NO. LI907

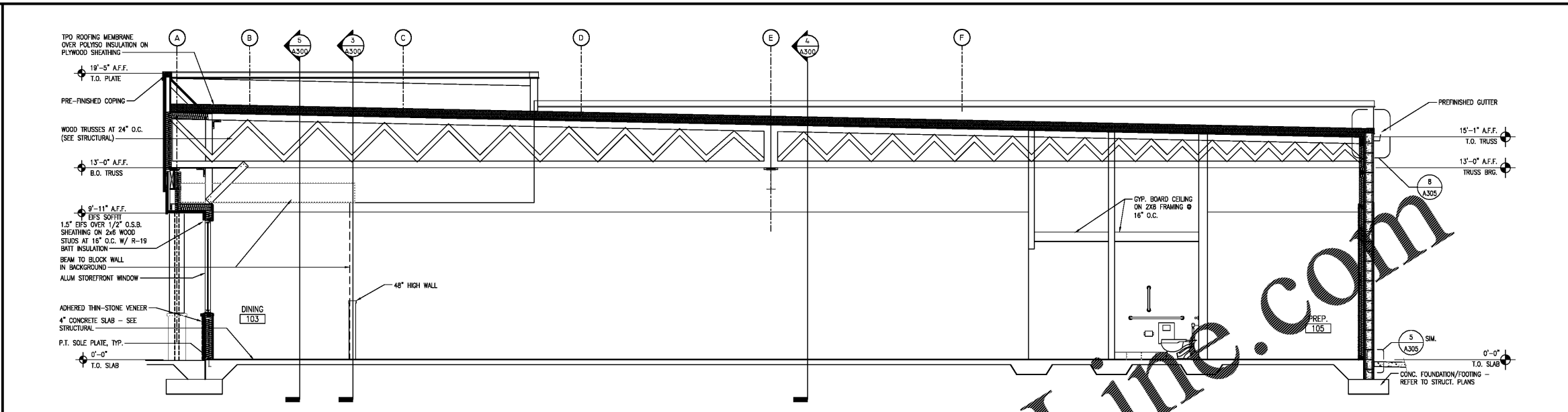
NORWOOD ARCHITECTS
807 FORTRESS BLVD. N.W.
ATLANTA, GEORGIA 30318
PH: 478-921-0302 FAX: 478-921-0301 WWW.NORWOODARCHITECTS.COM

HUDDLE HOUSE
EVO 2000 RESTAURANT
2029 HWY 78 E JASPER, AL
WALKER CO. 35501

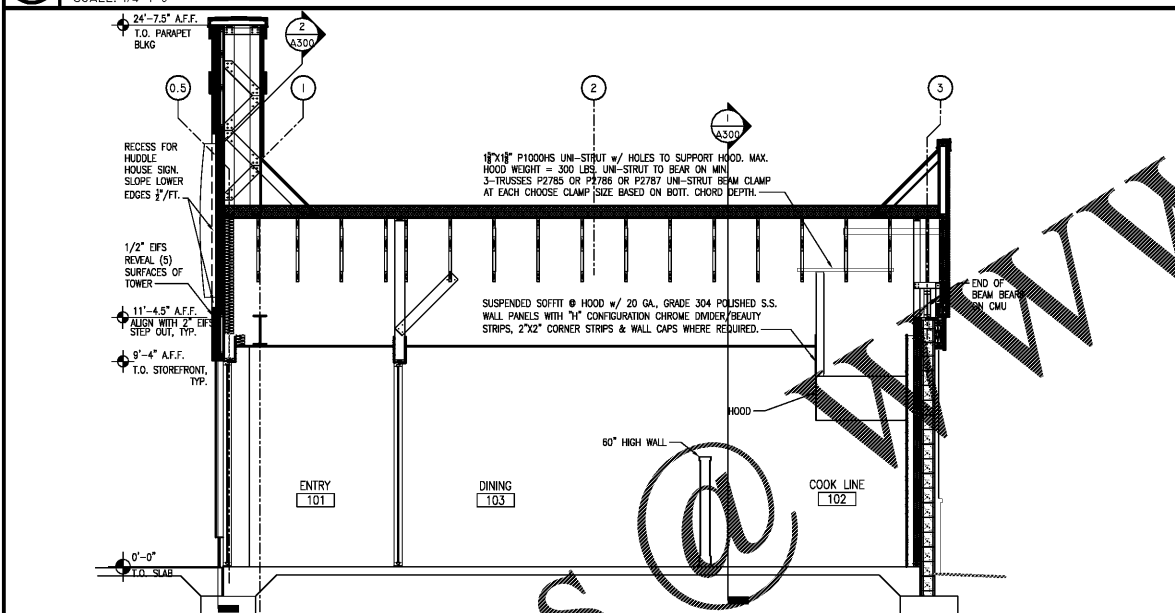
NO.	ISSUE DATE
	PERMIT SET 07/12/2019

DRAWING NUMBER
BUILDING SECTIONS

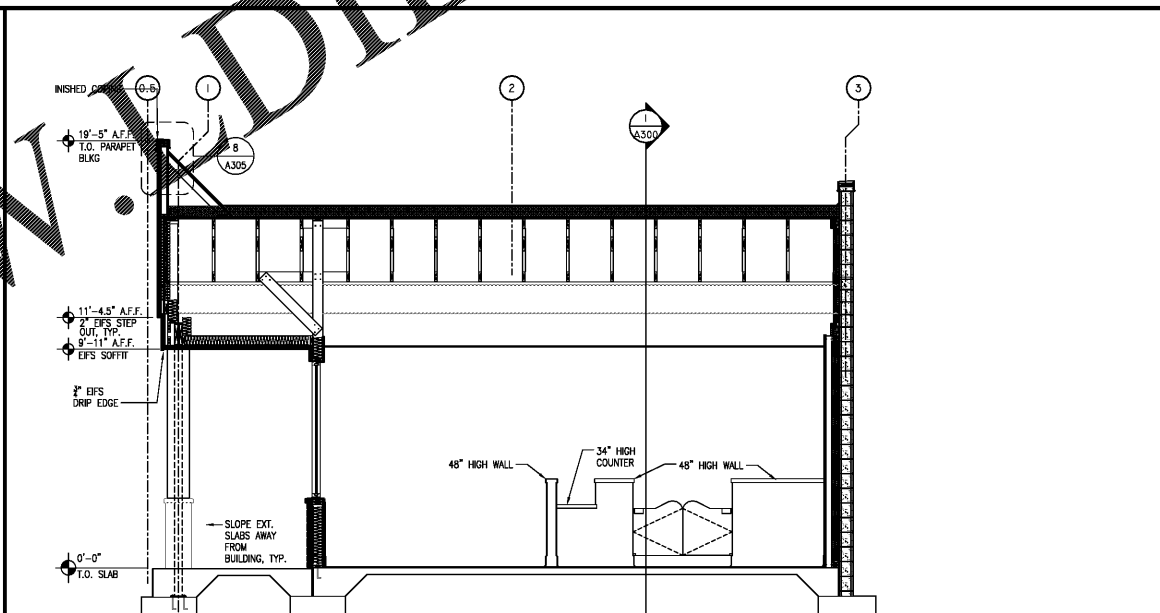
A300



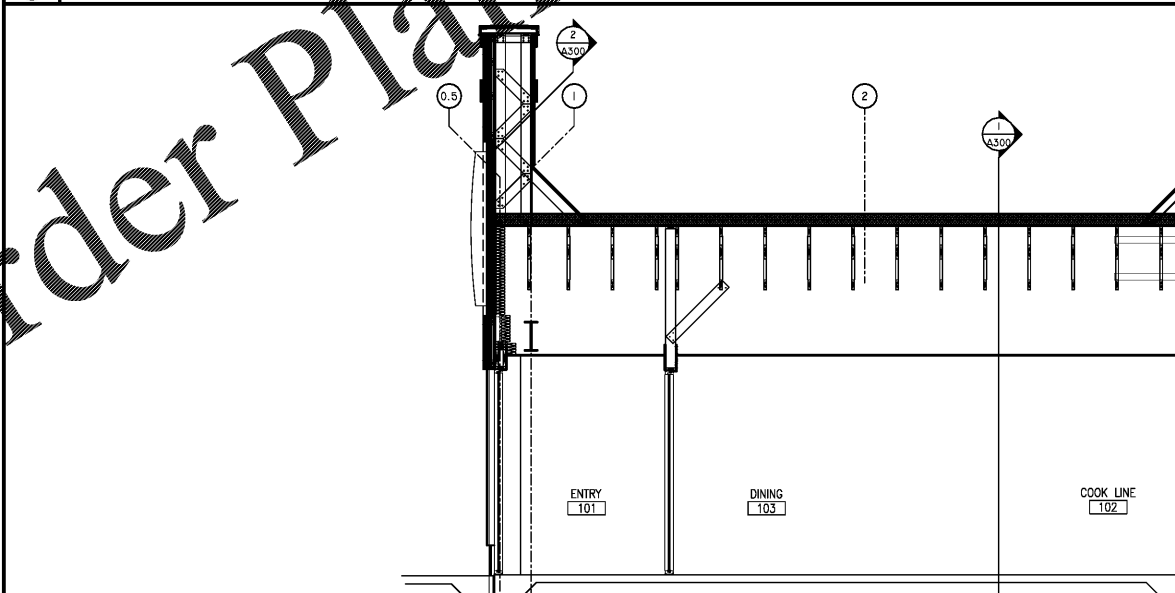
1 BUILDING SECTION
SCALE: 1/4"=1'-0"



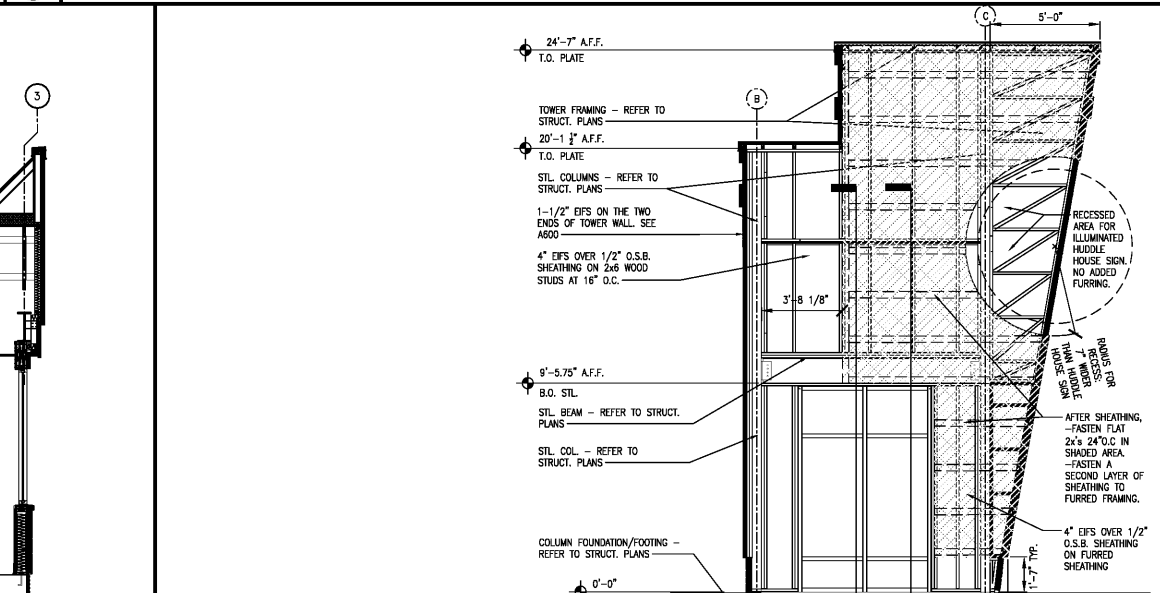
3 BUILDING SECTION
SCALE: 1/4"=1'-0"



4 BUILDING SECTION
SCALE: 1/4"=1'-0"



5 BUILDING SECTION
SCALE: 1/4"=1'-0"



2 PARTIAL BLDG. SECT.
SCALE: 1/4"=1'-0"

Order Plans @ www.dlline.com