

JOB NO. L1907

NORWOOD ARCHITECTS  
807 FORREST ST. N.W.  
ATLANTA, GEORGIA 30318  
PH: 478-921-0302 FAX: 478-921-0301 www.norwoodarchitect.com

HUDDLE HOUSE  
EVO 2000 RESTAURANT  
2029 HWY 78 E JASPER, AL  
WALKER CO. 35501

NO. ISSUE DATE  
PERMIT SET  
07/12/2019

DRAWING NUMBER  
ROOF PLAN & DETAILS

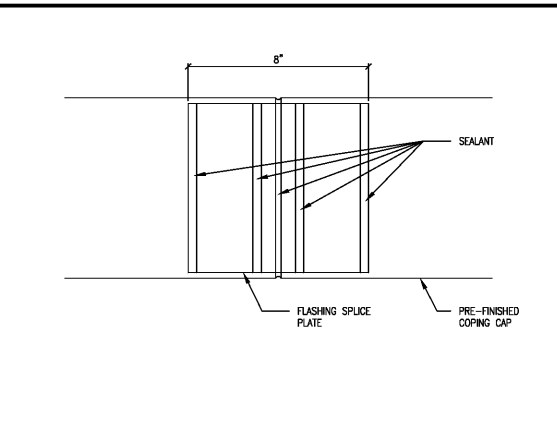
A105  
ISSUED FOR CONSTRUCTION

GENERAL NOTES

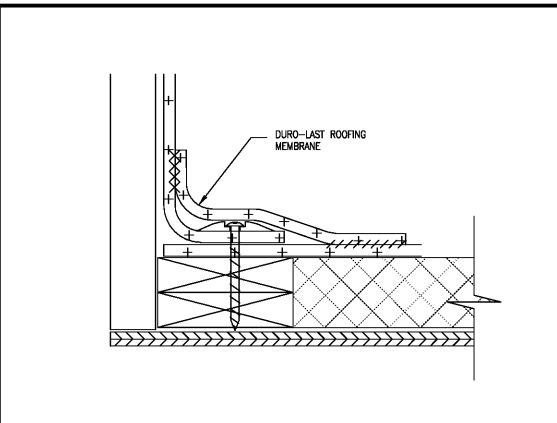
1. ROOFING SUBCONTRACTOR TO COORDINATE LOCATION OF H.V.A.C. UNITS & ROOF TOP ACCESSORIES W/ STRUCTURAL, MECHANICAL & ELECTRICAL DWGS. FOR LAY-OUT/PLACEMENT OF ROOF BOARD INSULATION & SUBSEQUENT INSTALLATION IN ORDER TO AVOID PONDING WATER CONDITIONS ATTRIBUTABLE TO BOARD LAY-OUT ISSUES
2. ROOF SYSTEMS SPECIFIED SHALL BE APPLIED ONLY BY MFR. APPROVED APPLICATOR IN ORDER TO MEET WARRANTY REQUIREMENTS
3. HVAC CONDENSATE LINES TO TERMINATE INTO GUTTER. COORD. W/ LOCAL AHJ TO DETERMINE IF CONDENSATE LINES ARE REQUIRED TO THE INTD SANITARY
4. ALL CURBS FOR ROOF TOP EQUIPMENT TO BE FLASHED USING PRE-FABRICATED CUSTOM CURB FLASHING BY THE ROOFING MFR.
5. ALL FLASHING CEMENTS, PRODUCTS & ACCESSORIES SHALL BE SUPPLIED & APPROVED BY ROOFING MFR.
6. RIDIC INSULATION TO BE MECHANICALLY FASTENED PER FACTORY MUTUAL-28
7. THE ROOF STRUCTURE SHALL NOT BE USED FOR STOCKING OF EQUIPMENT OR MATERIALS UNLESS APPROVED BY THE ARCHITECT, STRUCTURAL ENGINEER & THE JOIST MFR.
8. COORDINATE ROOF ELEVATIONS W/ STRUCTURAL DWGS.
9. ALL ROOFING DETAILS TO BE VERIFIED & COORDINATED W/ MFR'S. RECOMMENDED INSTALLATION PROCEDURES, SPECIFICATIONS & WARRANTIES

KEY NOTES

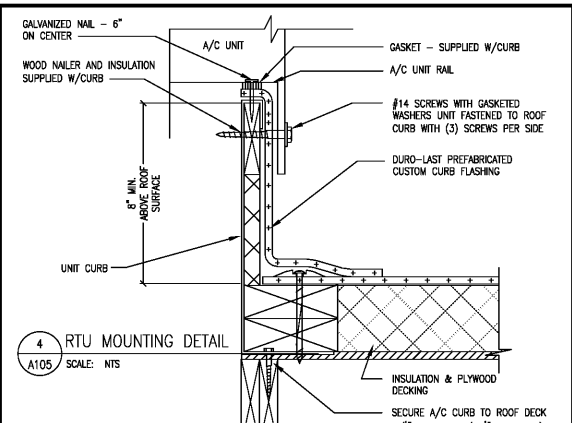
- 1 DURO-LAST SINGLE PLY WHITE 45 MIL POLYURETHANE ROOFING SYSTEM INSTALLED OVER 1/2" POLYISOCYANURATE INSULATION (MIN. OVERALL LTR 30.0)
- 2 ROOF LADDER
- 3 PRE-FIN. MTL. RAINING/CANOPY BY VENDOR, SIGNAGE MANUFACTURER
- 4 PARAPET BRACING; SEE STRUCT. DWGS. FOR ADDITIONAL INFO.
- 5 TYP. OF CRICKET, SLOPE EQUAL TO ROOF
- 6 6"x6" PRE-FABRICATED CONT. ALUMINUM GUTTER
- 7 4"x6" (MIN.) DOWNSPOUT BELOW (TYP. OF 2)
- 8 ROOFTOP UNIT
- 9 EXHAUST FAN
- 10 PRE-FIN. MTL. PARAPET COPING/CAP
- 11 VENT THRU ROOF (V.T.R.)
- 12 HUDDLE HOUSE SIGN (BELOW)
- 13 WALK-IN BOX (BELOW)
- 14 FLASHING OVERLAP/JOINT LOCATION
- 15 WALK-IN MECHANICAL EQUIPMENT
- 16 RTU GAS SUPPLY PIPE PENETRATION
- 17 EXTERIOR FLOOD LIGHT FIXTURE
- 18 DISHWASHER HOOD EXHAUST OPTION
- 19 TOWER FLOOD LIGHT



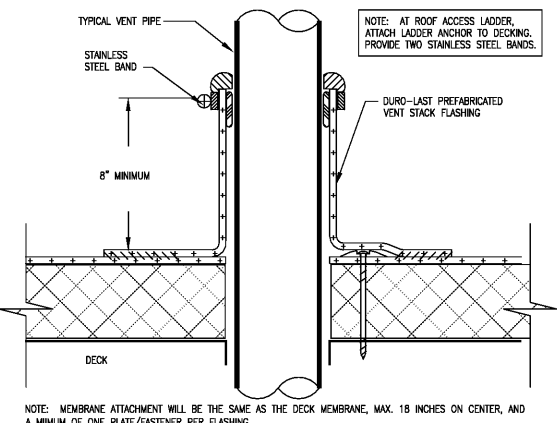
2 COPING SPLICE PLATE DETAIL  
SCALE: 1/4"=1'-0"



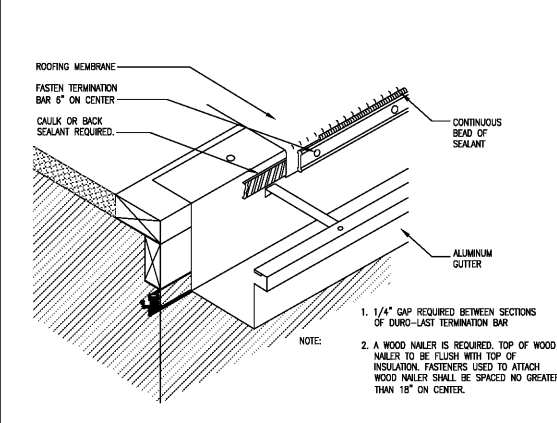
3 STANDARD BASE FLASHING DETAIL  
SCALE: N.T.S.



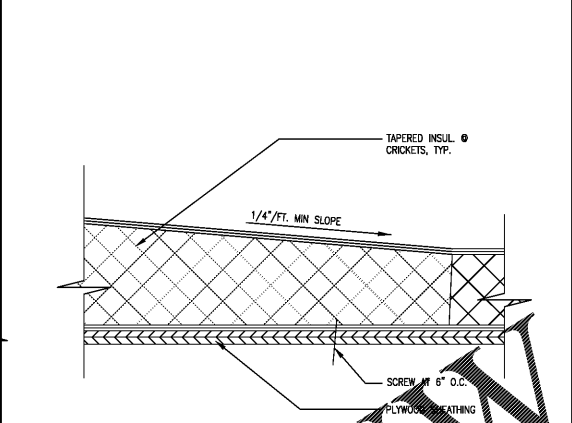
3 STANDARD BASE FLASHING DETAIL  
SCALE: N.T.S.



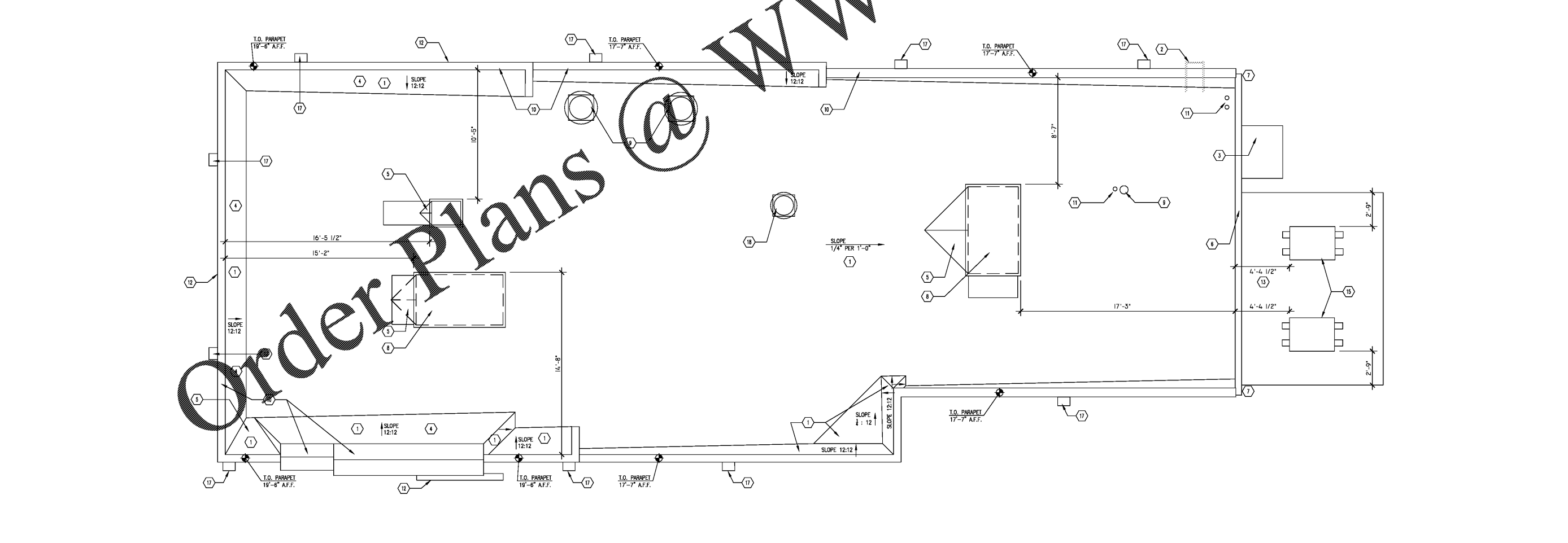
5 TYP. ROUND PENETRATION DETAIL  
SCALE: 1/4"=1'-0"



6 STANDARD BASE FLASHING DETAIL  
SCALE: N.T.S.



7 TYP. CRICKET DETAIL  
SCALE: N.T.S.



1 ROOF PLAN  
SCALE: 1/4"=1'-0"