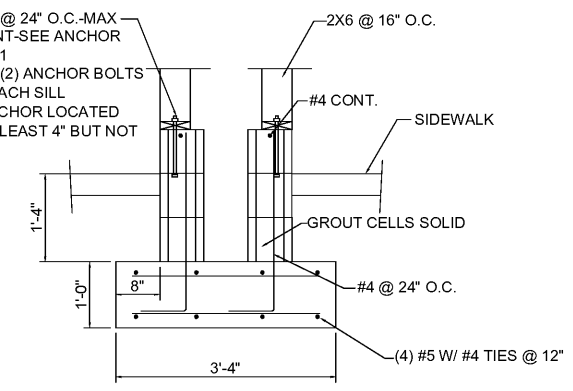


**FRAMING PLAN**

SCALE: 1/8" = 1'-0"  
 NOTES:

1. SEE ARCHITECTURAL FOR TYPICAL FRAMING SECTIONS
2. HEADERS TO BE (3) 2X12 HEADER W/ (2) 1/2" PLYWOOD-MIN
3. ROOF SHEATHING-19/32" APA RATED SHEATHING  
 ATTACH TO FRAMING WITH 8d NAILS @ 6" O.C. AT EDGES AND 12" O.C. AT INTERIOR (U.N.O.).
4. WALL SHEATHING-19/32" APA RATED SHEATHING  
 ATTACH TO FRAMING WITH 8d NAILS @ 6" O.C. AT EDGES AND 12" O.C. AT INTERIOR (U.N.O.).

1/2" ANCHOR BOLT @ 24" O.C.-MAX WITH 8" EMBEDMENT-SEE ANCHOR BOLT DETAIL ON S-1  
 PROVIDE A MIN OF (2) ANCHOR BOLTS PER SILL PLATE. EACH SILL SHALL HAVE (1) ANCHOR LOCATED FROM THE END AT LEAST 4" BUT NOT MORE THAN 12"



SECTION 1 S-2

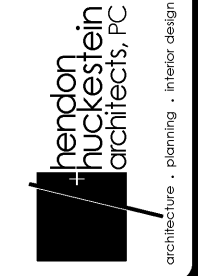
Order Plans @ WWW.LDILine.com

NO.	DATE	CHECKED BY: ENH	DATE: 06/17/19
1	06/17/19	ENH	
		BD / PERMIT SET	



PREMIER KINGS, INC.  
 5529 CARMICHAEL RD  
 MONTGOMERY, AL 36117  
 PHONE: (334) 312-0849

2126 Morris Avenue  
 Birmingham, AL 35210  
 Phone: (205) 322-1251  
 Fax: (205) 322-1778  
 email: info@huckestein.com  
 www.huckestein.com



PROJECT #1702009  
 MAKE 2020 - DECEMBER 2016 STANDARDS  
 BURGER KING - RENOVATION  
 1,3049 MAIN ST N,  
 JACKSONVILLE, FL 32218