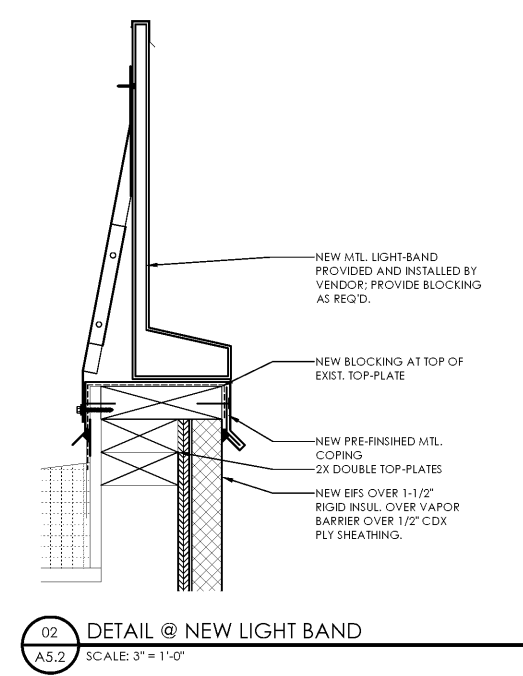
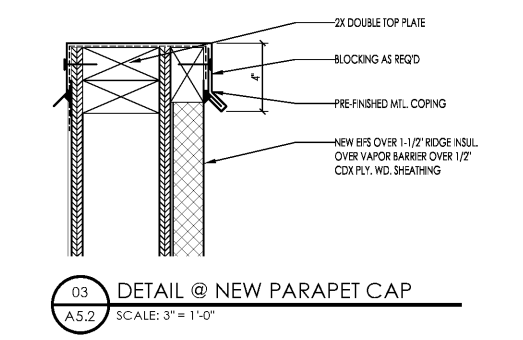
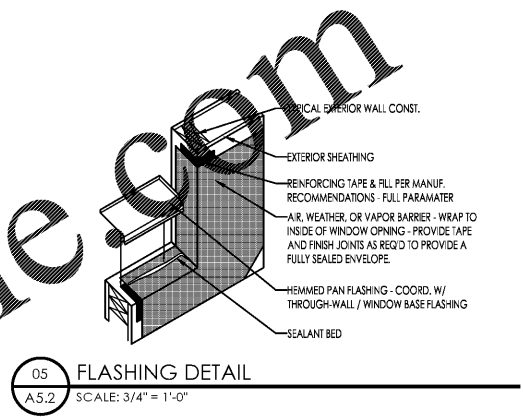


Order Plans @ [www.LDILine.com](http://www.LDILine.com)



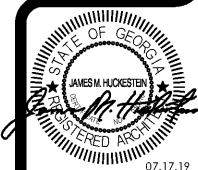
NO.	DATE	CHECKED BY: ENH	DATE: 06/17/19
1.	06/17/19	REVISION:	
		BID / PERMIT SET	



**PREMIER KINGS, INC.**  
5529 CARMICHAEL RD  
MONTGOMERY, AL 36117  
PHONE: (334) 312-0849

2126 Morris Avenue  
Montgomery, AL 36103  
Phone: (205) 322-1251  
Fax: (205) 322-1778  
email: info@hphaha.com  
www.hphaha.com

**hendon huckestein architect, PC**  
architecture • planning • interior design



PROJECT #1702019  
IMAGE 20/20 - DECEMBER 2016 STANDARDS  
BURGER KING - RENOVATION  
13049 MAIN ST N,  
JACKSONVILLE, FL 32218