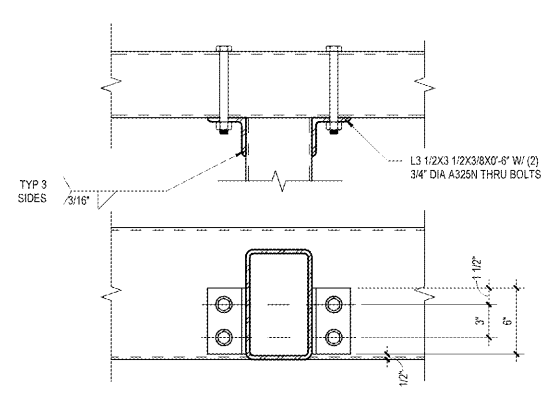
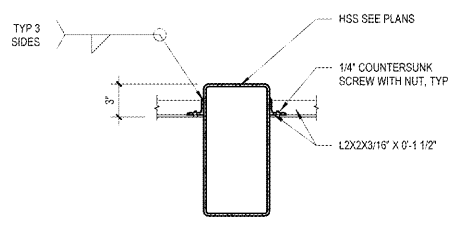


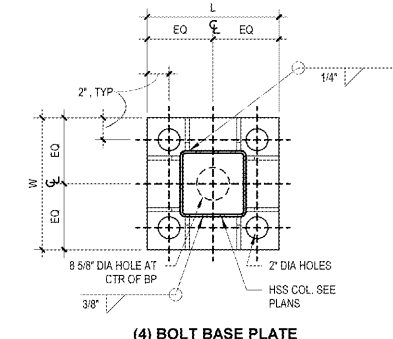
10 HIGH HSS TO HSS CONNECTION
CS4 1 1/2" = 1'-0"



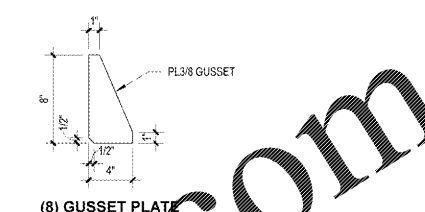
8 LOW HSS TO HSS CONNECTION
CS4 1 1/2" = 1'-0"



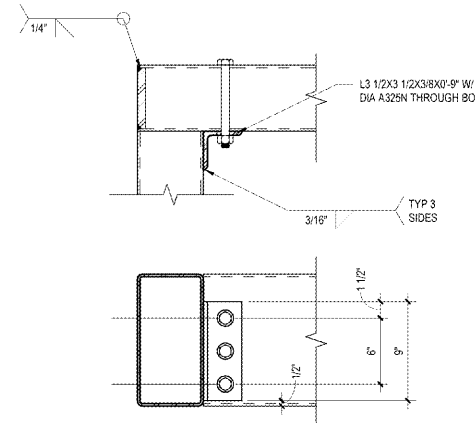
5 MISC FRAMING
CS4 1 1/2" = 1'-0"



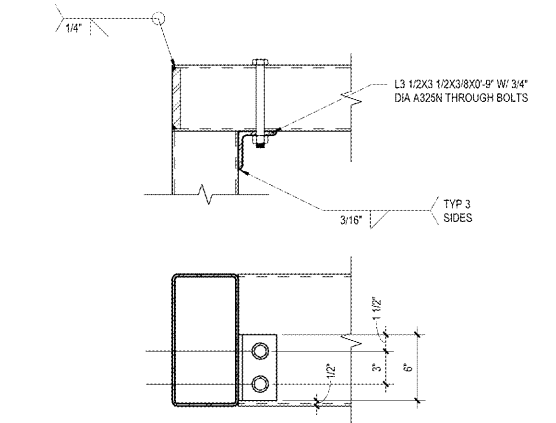
(4) BOLT BASE PLATE



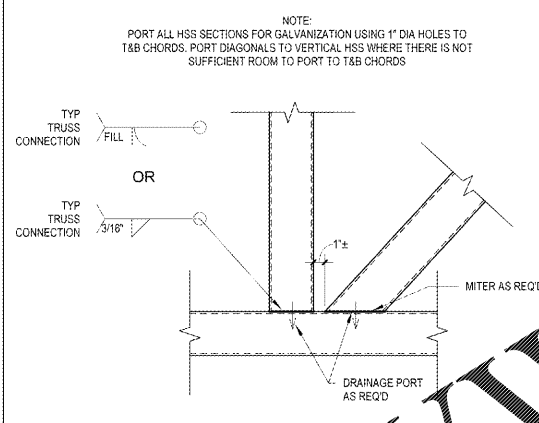
(8) GUSSET PLATE



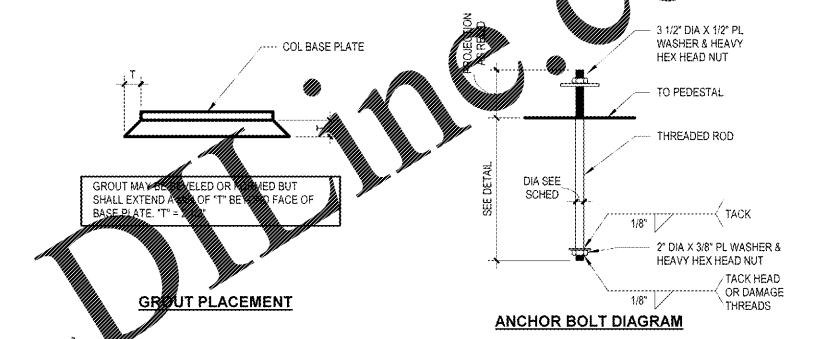
9 PERIMETER TUBE AT CORNER CONNECTION (HIGH SIDE)
CS4 1 1/2" = 1'-0"



7 PERIMETER TUBE AT CORNER CONNECTION (LOW SIDE)
CS4 1 1/2" = 1'-0"



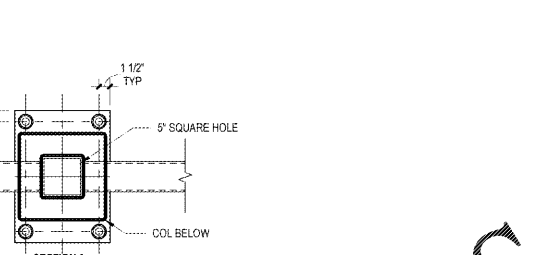
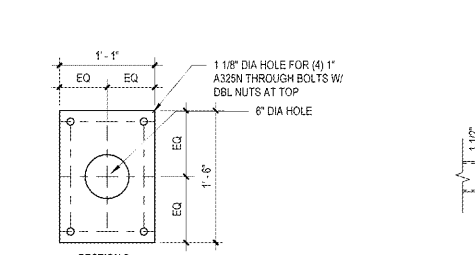
4 TRUSS CONNECTION WELDS, TYP
CS4 1 1/2" = 1'-0"



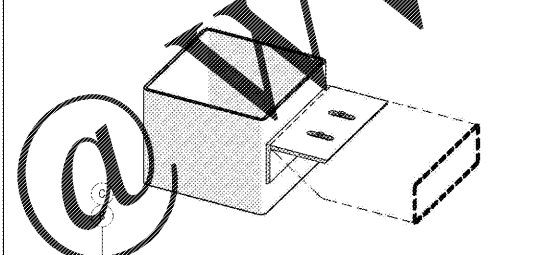
GROUT PLACEMENT

ANCHOR BOLT DIAGRAM

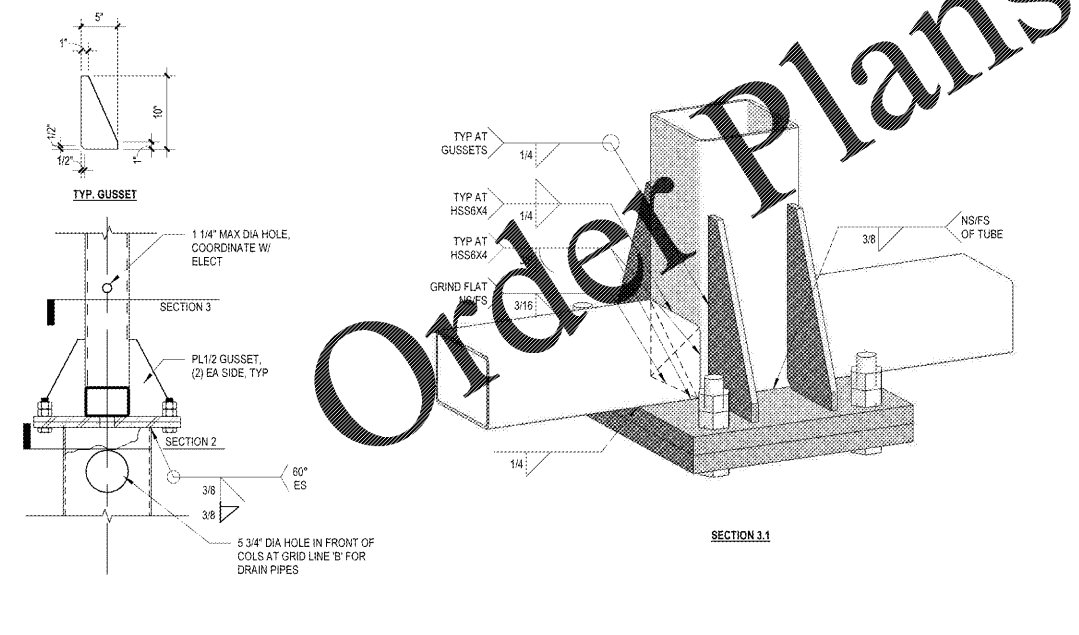
BASE PLATES
NOTES:
1. SEE COLUMN SCHEDULE FOR WIDTH "W" LENGTH "L" AND THICKNESS "T"



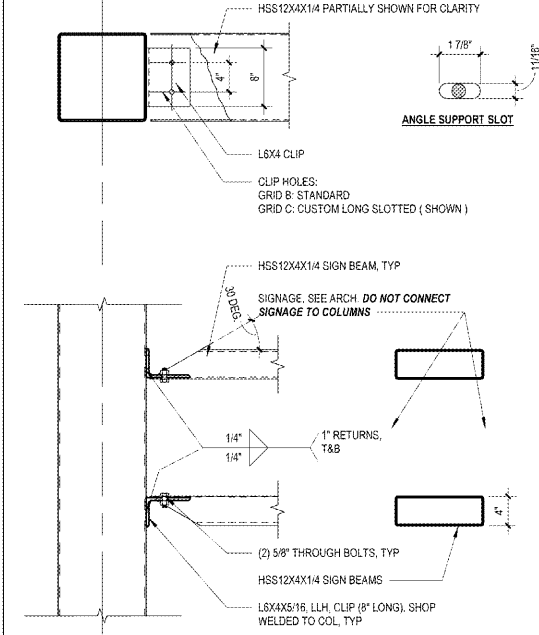
6 COLUMN TO TRUSS CONNECTION
CS4 1" = 1'-0"



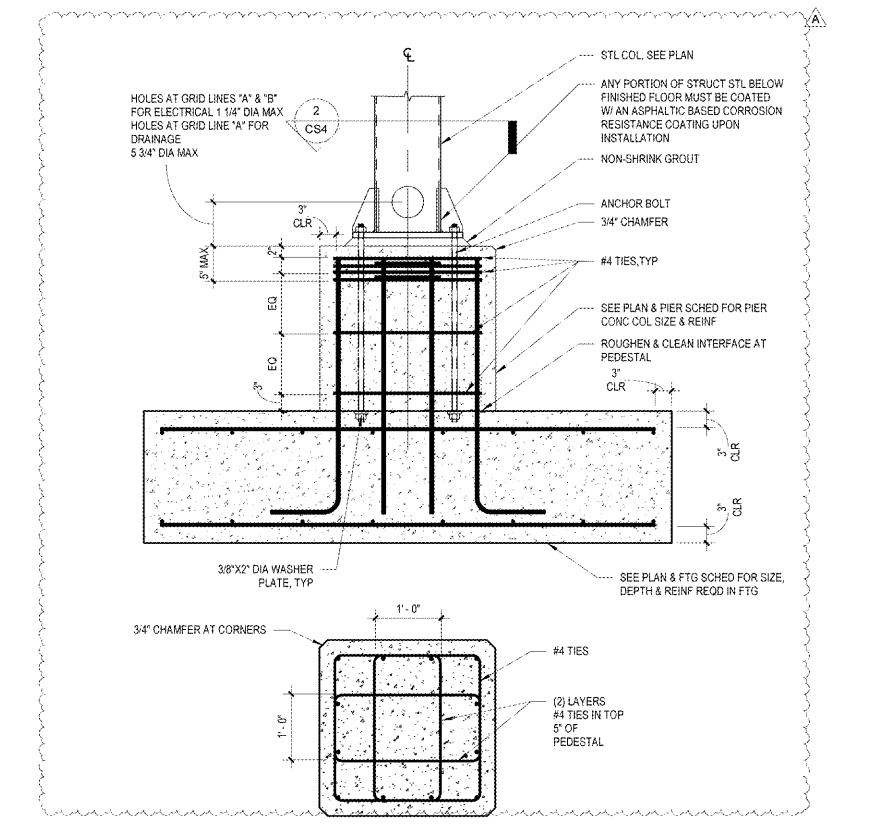
3 SIGNAGE SUPPORT
CS4 1" = 1'-0"



6 COLUMN TO TRUSS CONNECTION
CS4 1" = 1'-0"



3 SIGNAGE SUPPORT
CS4 1" = 1'-0"



1 FOUNDATION DETAIL
CS4 3/4" = 1'-0"

WWW.LDLINE.COM

Order Plans

1925 Prospect Ave.
Orlando, FL 32814
P (407) 661-9100
F (407) 661-9101
www.c-p.com

Chalaci & Peterson
Architects Engineers Planners

CLIENT NAME
WAWA
260 W. BALTIMORE PIKE
WAWA, PA 19063

PROJECT NAME
STACKED 8 GAS CAN. 2018.01-MA
STORE #6668-SUD
10691 DAVIDSON PLACE
MANASSAS, VA 20109

No.	Description	Date
1	PERMIT SET	01/04/2019
2	PERMIT COMMENTS	03/15/2019
3	PIER REVISIONS	06/27/2019
4	BID SET	06/27/2019

PROJECT NO.	DATE	DRAWN	RC	CHECKED
2170584	01/04/2019	RC		JJ

CS4