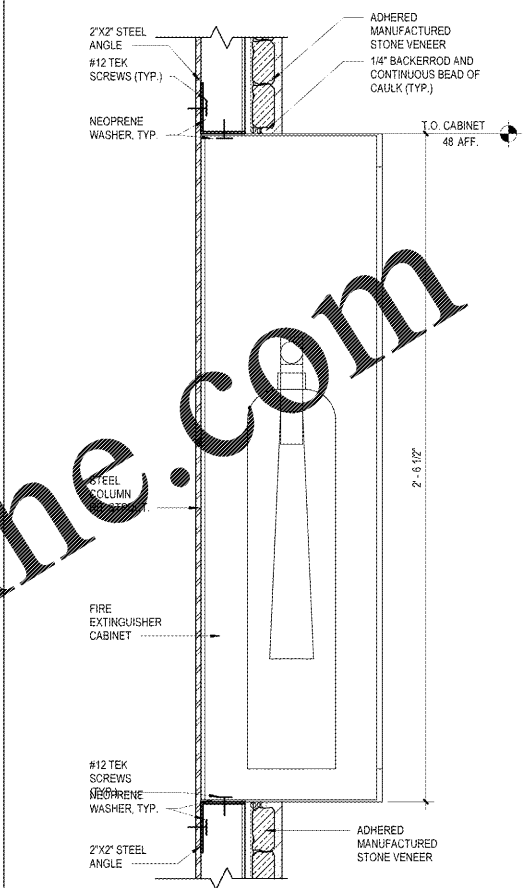
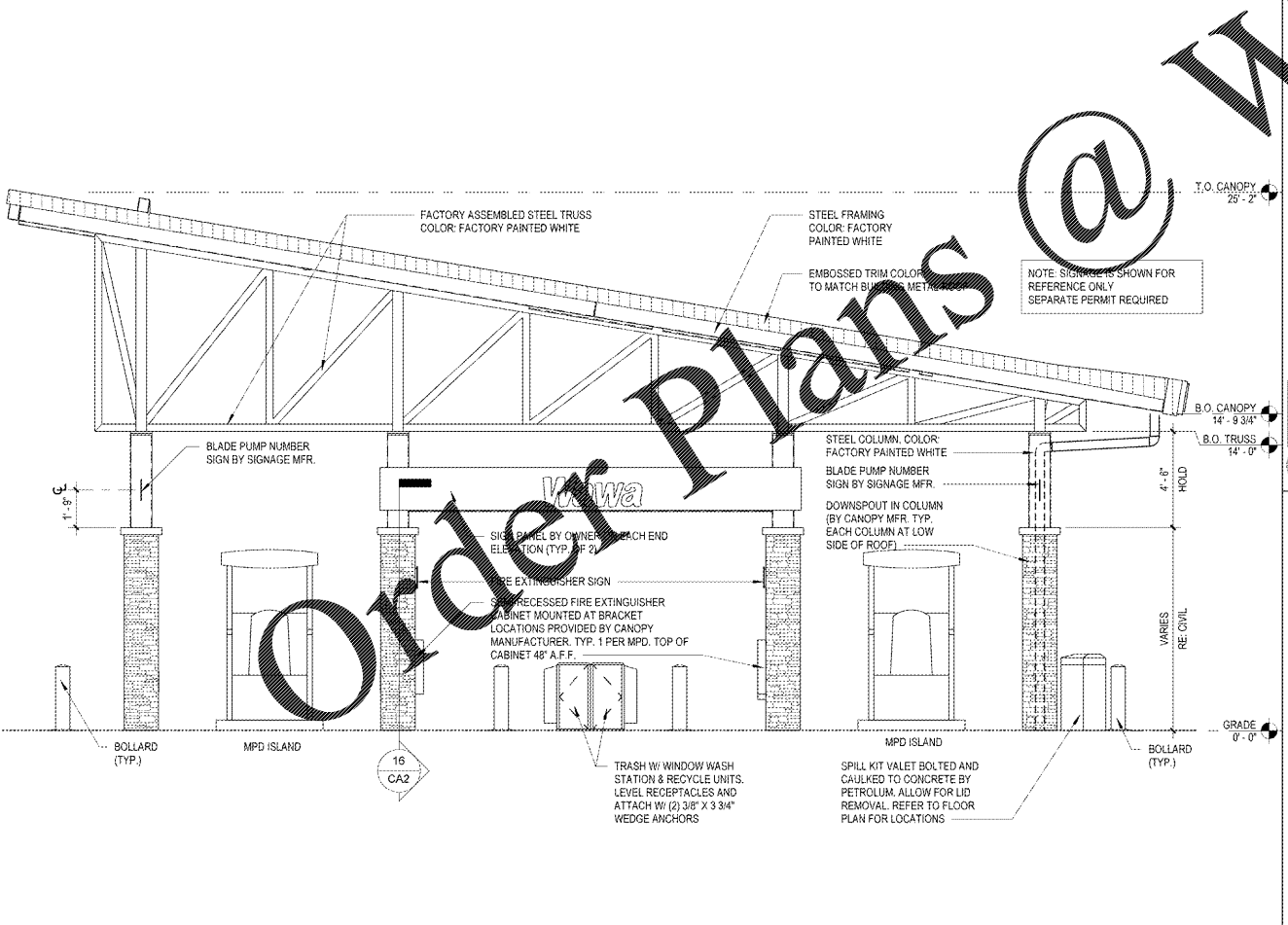


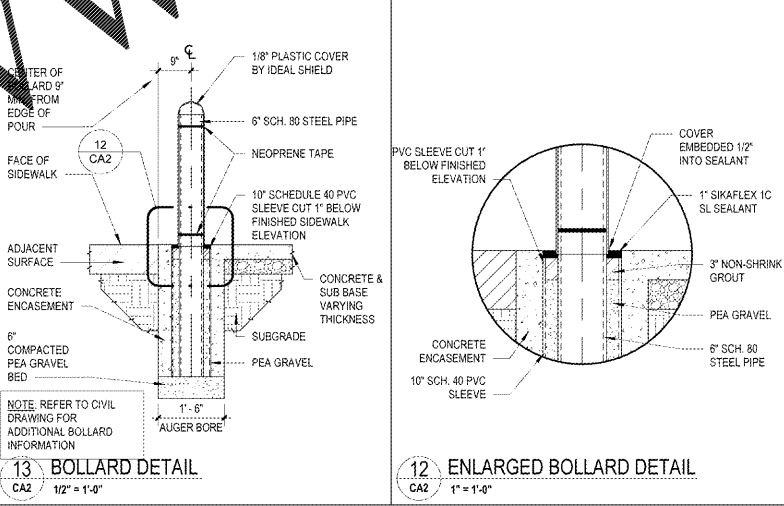
10 CANOPY ROOF PLAN
CAZ 1/8" = 1'-0"



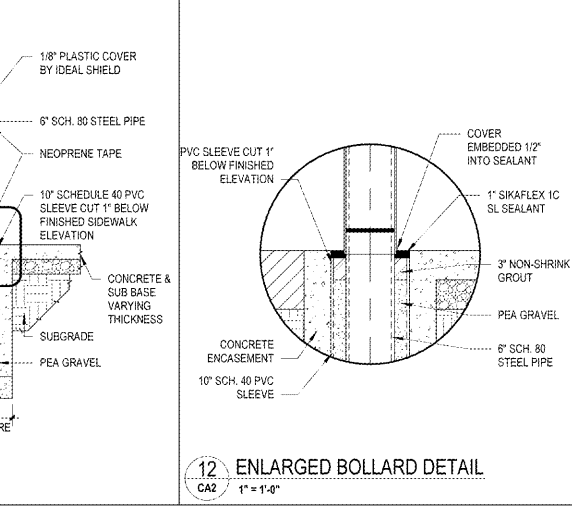
6 FIRE EXTINGUISHER DETAIL
CAZ 3" = 1'-0"



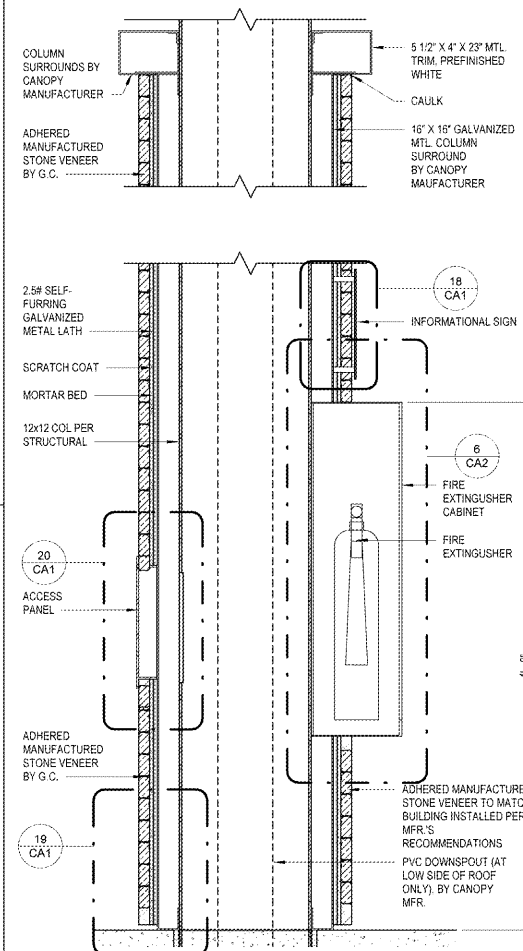
20 CANOPY SIDE ELEVATION
CAZ 1/4" = 1'-0"



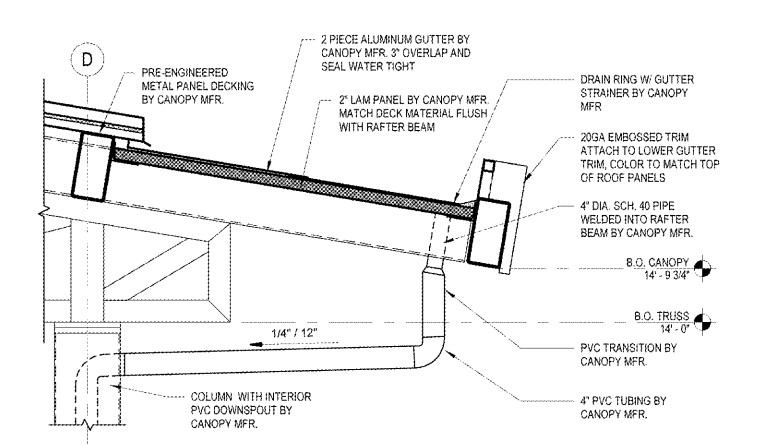
13 BOLLARD DETAIL
CAZ 1/2" = 1'-0"



12 ENLARGED BOLLARD DETAIL
CAZ 1" = 1'-0"



16 COLUMN DETAIL
CAZ 1 1/2" = 1'-0"



18 SECTION @ TRENCH DRAIN
CAZ 3/4" = 1'-0"

WWW.LDILine.com

Order Plans @

1925 Prospect Ave.
Orlando, FL 32814
P (407) 661-9100
F (407) 661-9101
www.c.p.com

4
Chalaci & Peterson
Architects Engineers Planners

CLIENT NAME
WAWA
260 W. BALTIMORE PIKE
WAWA, PA 19063

PROJECT NAME
STACKED 8 GAS CAN. 2018.01-MA
STORE #8668-SUD
10891 DAVIDSON PLACE
MANASSAS, VA 20109

| Revision Schedule | |
|-------------------|-------------|
| No. | Description |
| 1 | PERMIT SET |
| 2 | BID SET |

DATE: 01/04/2019
DRAWN: JP
CHECKED: DS

PROJECT NO.
2170584

CA2

ARCH. CANOPY ROOF PLAN, ELEVATION, AND DETAILS