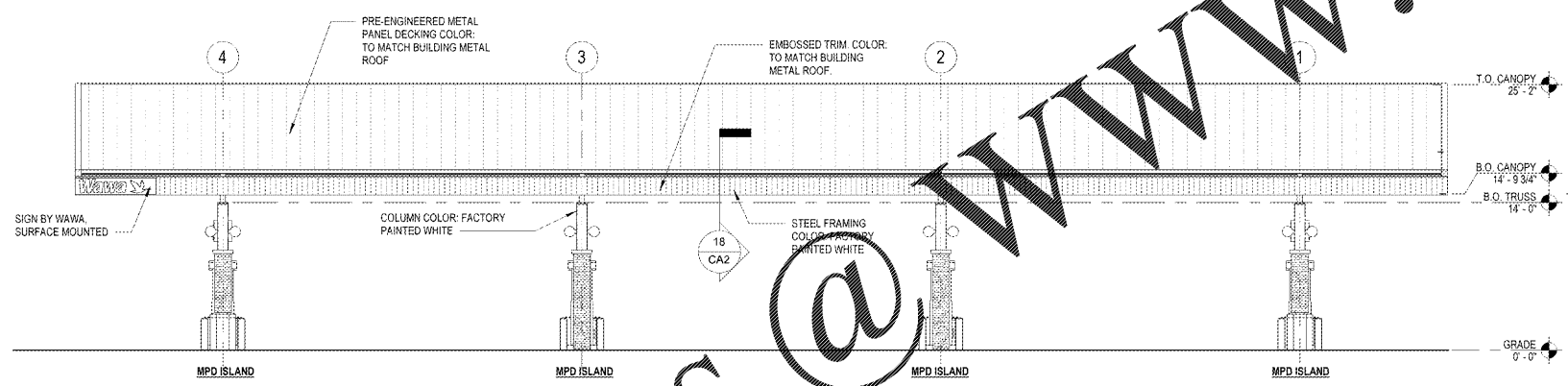
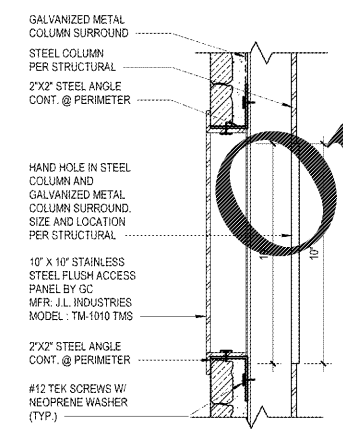


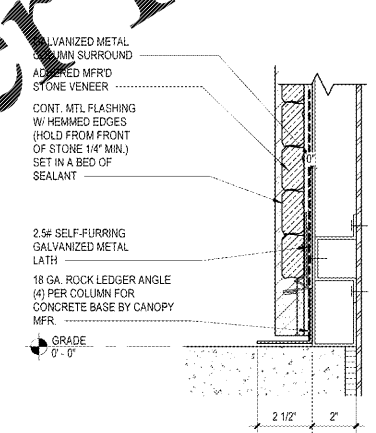
5 CANOPY FLOOR PLAN  
CA1 1/8" = 1'-0"



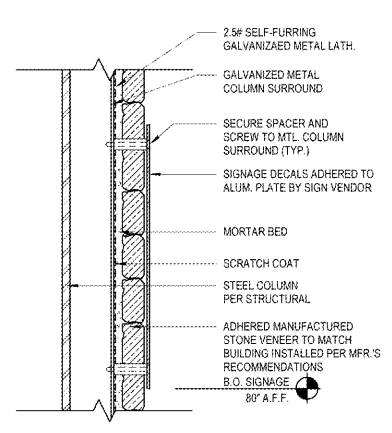
15 CANOPY REAR ELEVATION  
CA1 1/8" = 1'-0"



20 ACCESS PANEL DETAIL  
CA1 3" = 1'-0"



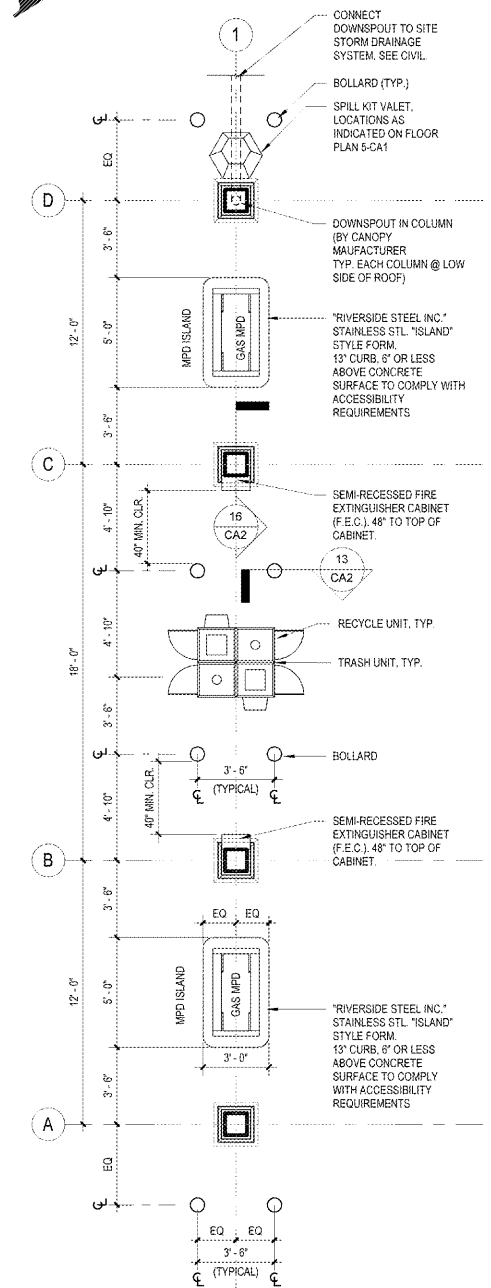
19 BASE DETAIL  
CA1 3" = 1'-0"



18 FIRE EXTINGUISHER SIGN MOUNTING DETAIL  
CA1 3" = 1'-0"

GENERAL NOTES

1. ALL WORK SHALL COMPLY WITH THE INTERNATIONAL BUILDING CODE (IBC) NFPA 30A CODE FOR MOTOR FUEL DISPENSING FACILITIES AND REPAIR GARAGES. 2012 NFPA 10 STANDARD FOR PORTABLE FIRE EXTINGUISHERS. SEE COVER SHEET FOR DETAILED CODE INFORMATION.
2. FIRE EXTINGUISHER CABINETS (F.E.C.) SHALL BE STAINLESS STEEL SURFACE MOUNTED AS MANUFACTURED BY J.L. INDUSTRIES, CROSSMETAL SERIES, MODEL #233, WITH FULL CLEAR ACRYLIC GLAZING ON DOOR. FIRE EXTINGUISHER CABINETS ARE SUPPLIED BY WAWA AND INSTALLED BY GENERAL CONTRACTOR. ONE PER MPD ISLAND. SEE DETAILS CA2 SHEET FOR REQUIRED MOUNTING HEIGHTS.
3. FIRE EXTINGUISHERS SHALL HAVE A MINIMUM UL RATING OF 4A:50-B-C (HIGH FLOW). FIRE EXTINGUISHERS TO COMPLY WITH NFPA 30A AND MEET OR EXCEED NFPA 10 CLASS 8 SPECIAL HAZARD FIRE PROTECTION RECOMMENDATIONS. FIRE EXTINGUISHERS ARE SUPPLIED BY WAWA AND INSTALLED BY PETROLEUM CONTRACTOR. ONE PER MPD ISLAND.
4. FIRE EXTINGUISHER SIGNS PROVIDED AND INSTALLED BY WAWA. SEE DETAIL THIS SHEET FOR REQUIRED MOUNTING HEIGHT.
5. WARNING SIGNS SHALL BE PROVIDED BY WAWA AND INSTALLED BY THE PETROLEUM CONTRACTOR AT EACH MPD ISLAND. WARNING SIGNS (NFPA 30A 9.2.5.4 SIGNS) SHALL INCLUDE BUT NOT BE LIMITED TO:
  - a. NO SMOKING
  - b. STOP ENGINE
  - c. UNLAWFUL TO DISPENSE GASOLINE INTO UNAPPROVED CONTAINERS
6. LOCATION OF TRASH UNITS AND RECYCLE UNITS SHALL BE AS SHOWN ON FLOOR PLAN. LEVEL RECEPTACLES WITH ADJUSTABLE LEVELERS AND ANCHOR TO CONCRETE SURFACE USING (2) 3/8" X 3 1/2" WEDGE ANCHORS PER UNIT. UNITS ARE FURNISHED AND INSTALLED BY WAWA.
7. LOCATION OF SPILL KIT VALETS SHALL BE AS SHOWN ON FLOOR PLAN. ANCHOR TO CONCRETE SURFACE WITH ANCHOR BOLTS AND WASHER NUT FASTENERS. SPILL KIT VALETS ARE SUPPLIED BY WAWA AND INSTALLED BY PETROLEUM CONTRACTOR.
8. VERIFY IF MUSIC IS DESIRED OR REQUIRED BY WAWA REAL-ESTATE ENGINEER AND PROJECT MANAGER. SEE SHEET FOR ELECTRICAL CANOPY PLANS, DETAILS, AND SCHEDULES FOR MUSIC INSTALLATION REQUIREMENTS. MUSIC SHALL BE INSTALLED BY THE PETROLEUM CONTRACTOR.
9. VERIFY COPY CONFIGURATION ON FINAL SITE PLAN.



16 GAS ISLAND DETAIL  
CA1 1/4" = 1'-0"

1925 Prospect Ave.  
Orlando, FL 32814  
P (407) 661-9100  
F (407) 661-9101  
www.c-p.com

**Chahaci & Peterson**  
Architects Engineers Planners

CLIENT NAME  
**WAWA**  
260 W. BALTIMORE PIKE  
WAWA, PA 19063

PROJECT NAME  
**STACKED 8 GAS CAN. 2018.01-MA**

STORE #8668-SUD  
10891 DAVIDSON PLACE  
MANASSAS, VA 20109

SHEET TITLE  
**ARCH. CANOPY PLAN, ELEVATIONS, AND DETAILS**

Revision Schedule	
No.	Description
1	PERMIT SET
2	PERMIT COMMENTS
3	BID SET

PROJECT NO. 2170584	DATE 01/04/2019	DRAWN Author	CHECKED Checker
DATE 01/04/2019	DATE 03/15/2019	DATE 09/27/2019	

CA1