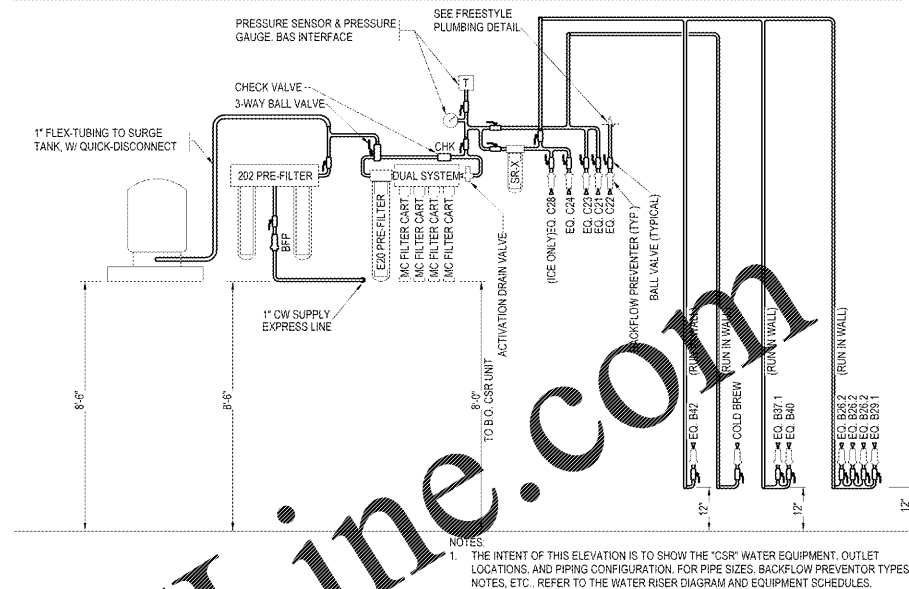


BACKFLOW PREVENTER & SPECIALTY SCHEDULE

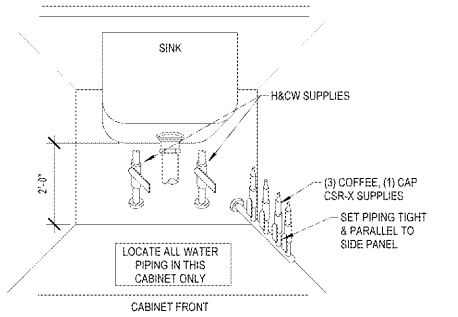
| SERVICE & APPLICATION | MANUFACTURER | SERIES | MODEL NUMBER | SIZE | ASSE STD. | REMARKS |
|--------------------------------------|-----------------|------------------|-------------------|--------|-----------|---|
| MAIN WATER SERVICE | WATTS REGULATOR | SERIES 909 | MODEL LF909M1QT-S | 1 1/2" | ASSE 1013 | WHEN A "RPZ" TYPE IS REQUIRED |
| MAIN WATER SERVICE | WATTS REGULATOR | SERIES 907 | MODEL LF907M2QT-S | 1 1/2" | ASSE 1015 | WHEN A DOUBLE CHECK VALVE IS REQUIRED |
| LAWN IRRIGATION | WATTS REGULATOR | SERIES 909 | MODEL LF909M1QT-S | 1" | ASSE 1013 | WHEN VALVE IS LOCATED INSIDE THE BLDG. |
| LAWN IRRIGATION | WATTS REGULATOR | SERIES 800 | MODEL LF800MFR | 1" | ASSE 1020 | WHEN VALVE IS LOCATED OUTSIDE THE BLDG. |
| YARD HYDRANT | WATTS REGULATOR | SERIES LF909M2QT | MODEL LF909M2QT | 3/4" | ASSE 1013 | WHEN REMOTE TRASH COMPOUND IS UTILIZED |
| COFFEE & CAPPUCCINO MACHINES | WATTS REGULATOR | SERIES SD-3 | MODEL SD3-MN | 3/8" | ASSE 1022 | LEAD FREE, 3/8" M-NPT INLET/OUTLET, RUN VENT TO DRAIN |
| SODA CARBONATOR (FREESTYLE) | WATTS REGULATOR | SERIES SD-3 | MODEL SD3-MN | 3/8" | ASSE 1022 | LEAD FREE, 3/8" M-NPT INLET/OUTLET, RUN VENT TO DRAIN |
| FROZEN CARBONATED BEVERAGE (FCB) | WATTS REGULATOR | SERIES SD-3 | MODEL SD3-MN | 3/8" | ASSE 1022 | LEAD FREE, 3/8" M-NPT INLET/OUTLET, RUN VENT TO DRAIN |
| ICE MAKER (SODA & SMOOTHIE) | WATTS REGULATOR | SERIES SD-3 | MODEL SD3-MN | 3/8" | ASSE 1022 | LEAD FREE, 3/8" M-NPT INLET/OUTLET, RUN VENT TO DRAIN |
| ESPRESSO MACHINE | WATTS REGULATOR | SERIES SD-3 | MODEL SD3-MN | 3/8" | ASSE 1022 | LEAD FREE, 3/8" M-NPT INLET/OUTLET, RUN VENT TO DRAIN |
| ICED TEA | WATTS REGULATOR | SERIES SD-3 | MODEL SD3-MN | 3/8" | ASSE 1022 | LEAD FREE, 3/8" M-NPT INLET/OUTLET, RUN VENT TO DRAIN |
| ROLL BAKING (FILTERED WATER) | WATTS REGULATOR | SERIES SD-2 | MODEL SD2-MN | 3/8" | ASSE 1022 | LEAD FREE, 3/8" M-NPT INLET/OUTLET |
| ROLL BAKING (DOMESTIC WATER) | WATTS REGULATOR | SERIES 7 | MODEL LF7 | 1/2" | ASSE 1024 | LEAD FREE |
| "CSR" WATER SUPPLY | WATTS REGULATOR | SERIES 7 | MODEL LF7 | 3/4" | ASSE 1024 | LEAD FREE |
| BEFORE MIXING VALVE | WATTS REGULATOR | SERIES 7 | MODEL LF7 | 3/4" | ASSE 1024 | LEAD FREE |
| HOT FOOD TABLE & RETHERMALIZER | WATTS REGULATOR | SERIES 7 | MODEL LF7 | 1/2" | ASSE 1024 | LEAD FREE |
| SANITIZING EQUIPMENT (EQ. F3 & MR-1) | WATTS REGULATOR | SERIES 9D | MODEL 9D-M3 | 1/2" | ASSE 1013 | LEAD FREE |
| VACUUM RELIEF FITTING (GHW-1) | WATTS REGULATOR | SERIES N36 | MODEL LFN36-M1 | 3/4" | ASSE 1024 | LEAD FREE |
| EXTERIOR GROUND HYDRANT | WATTS REGULATOR | SERIES 7 | MODEL LF7 | 3/4" | ASSE 1024 | LOCATED INSIDE THE BUILDING |

PLUMBING LEGEND

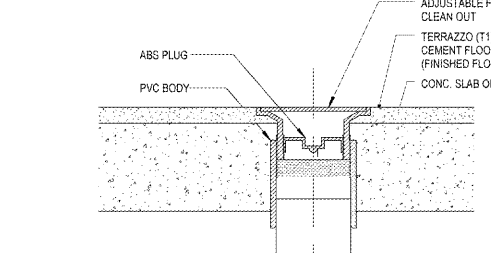
| SYMBOL | DESCRIPTION |
|----------|---|
| [Symbol] | SANITARY OR WASTE PIPING ABOVE GRADE |
| [Symbol] | SANITARY OR WASTE PIPING BELOW GRADE |
| [Symbol] | GREASE WASTE PIPING |
| [Symbol] | SANITARY VENT PIPING |
| [Symbol] | INDIRECT WASTE PIPING |
| [Symbol] | CLEANOUT |
| [Symbol] | CLEANOUT AT FLOOR |
| [Symbol] | CLEANOUT AT GRADE |
| [Symbol] | COLD WATER PIPING |
| [Symbol] | HOT WATER PIPING |
| [Symbol] | HOT WATER RETURN PIPING |
| [Symbol] | CSR WATER PIPING |
| [Symbol] | TRAP PRIMER WATER PIPING |
| [Symbol] | TEMPERED WATER PIPING |
| [Symbol] | GAS PIPING |
| [Symbol] | SERVICE PIPING BELOW FLOOR |
| [Symbol] | GATE VALVE (IN VERTICAL) |
| [Symbol] | BALL VALVE |
| [Symbol] | PLUG VALVE |
| [Symbol] | CHECK VALVE |
| [Symbol] | PRESSURE REGULATING VALVE |
| [Symbol] | GAS METER |
| [Symbol] | TRAP |
| [Symbol] | PIPE DROP |
| [Symbol] | DOUBLE CHECK VALVE W/ STRAINER |
| [Symbol] | REDUCED PRESSURE ZONE BFP W/ STRAINER |
| [Symbol] | WATER METER (MAIN UTILITY METER) |
| [Symbol] | WATER SUB-METER (WAWA BAS INTERFACE) |
| [Symbol] | TRANSDUCER (BAS WATER PRESSURE) |
| [Symbol] | PRESSURE GAUGE |
| [Symbol] | ELBOW DOWN / ELBOW UP OR RISER |
| [Symbol] | MIXING VALVE - TEMPERED WATER |
| [Symbol] | TRAP PRIMER DEVICE W/ DISTRIBUTION UNIT |
| [Symbol] | SHOCK ARRESTOR |
| [Symbol] | BOX TYPE HYDRANT (NON FREEZE) |
| [Symbol] | EQUIPMENT NUMBER |
| [Symbol] | FLOOR DRAIN |
| [Symbol] | SAFE WASTE DRAIN |
| [Symbol] | HUB STYLE DRAIN |
| [Symbol] | ROOF DRAIN |
| [Symbol] | FLOOR SINK |
| [Symbol] | EXPANSION TANK |
| [Symbol] | HOT WATER RETURN CIRCULATION PUMP |
| [Symbol] | DIRECTION OF FLOW |
| [Symbol] | DIRECTION OF PITCH |



www.ediline.com

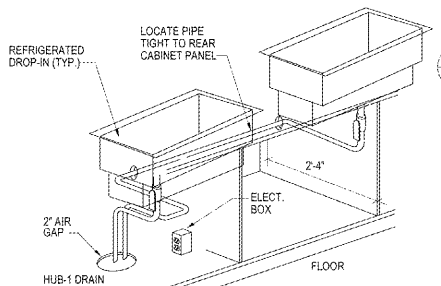
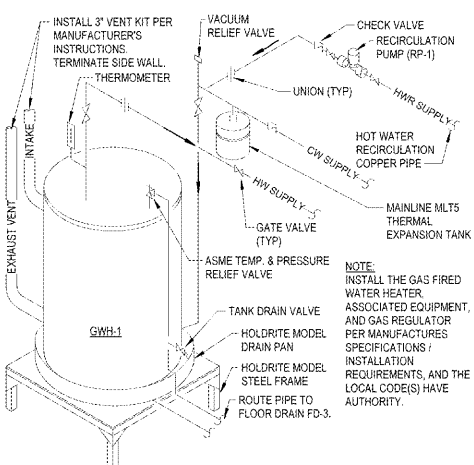


9 COFFEE STEP-UP COUNTER PIPING
NOT TO SCALE



10 FLOOR CLEAN OUT DETAIL (TYP.)
NOT TO SCALE

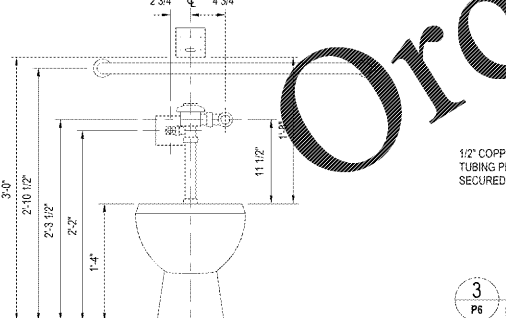
8 COFFEE SINK/BREWER MANIFOLD
NOT TO SCALE



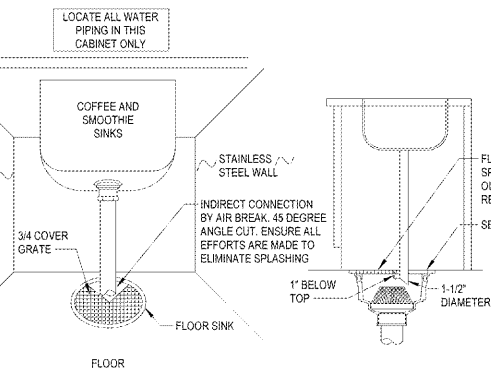
6 CONDIMENT COUNTER DIAGRAM (C.A.T.)
NOT TO SCALE

7 RETHERMALIZER ROUGH-IN DETAIL
NOT TO SCALE

5 GAS WATER HEATER DETAIL
NOT TO SCALE



3 TEMPERED WATER @ SANITIZING SYSTEM
NOT TO SCALE



4 COFFEE SINK/BREWER INDIRECT CONNECTION
NOT TO SCALE

| NO. | FIXTURE | MANUFACTURER | MODEL # | SUPPLD. | PIPE SIZE | DESCRIPTION |
|-------------|--------------------------------|-----------------------|---------------------|---------|----------------|---|
| | | | | | CW HW SAN VENT | |
| ECO | EXTERIOR CLEANOUT | JAY R. SMITH | 25TSLBC | HJC | -- -- -- | HEAVY TRAFFIC AREA EXTERIOR CLEANOUT WITH ACCESS COVER AND TWO-WAY FITTING. SEE PLANS FOR PIPE SIZE CONNECTION. |
| EWC-1 | ELECTRIC WATER COOLER | RAY | EZ5T8LC | HJC | 1/2" -- 3" | 1-1/2" BARRIER FREE ADA COMPLIANT ELECTRIC WATER COOLER. COORDINATE POWER OUTLET LOCATION WITH ELECTRICAL CONTRACTOR FOR ELECTRICAL CORD WITH 3-PRONG PLUG. INSTALL PER MANUFACTURERS RECOMMENDATIONS. REFER TO ARCHITECTURAL ELEVATION VIEWS FOR MOUNTING HEIGHTS. |
| F3 | FLOOR CLEANOUT | | | WAWA | 3/4" 3/4" | FURNISHED BY WAWA, INSTALLED BY PLUMBING CONTRACTOR. |
| FCO | FLOOR CLEANOUT | ZURN | CO-2450-PV | HJC | -- -- -- | FLOOR CLEANOUT WITH ADJUSTABLE NICKEL COVER. SEE PLANS FOR PIPE SIZE CONNECTION. |
| FD-1 | FLOOR DRAIN | JAY R. SMITH | 2005L | HJC | -- -- 3" | 1-1/2" CAST IRON BODY WITH BOTTOM OUTLET, NICKEL BRONZE ROUND STRAINER. PROVIDE DEEP SEAL TRAP AND TRAP PRIMER CONNECTION OUTLET. (2005L-A05-NB-P050-U) |
| FD-2 | NOT USED | | | | -- -- -- | |
| FD-3 | FLOOR DRAIN | JAY R. SMITH | 2005LXH | HJC | -- -- 3" | 1-1/2" CAST IRON BODY WITH BOTTOM OUTLET, NICKEL BRONZE ROUND STRAINER. PROVIDE DEEP SEAL TRAP AND TRAP PRIMER CONNECTION OUTLET. (2005LXH-A05-NB-P050-U) |
| FS-1 | FLOOR SINK | PLASTIC ODDITIES INC. | RBH-300H | HJC | -- -- | SEE PLANS -- 12"0" x 5.5" DEEP, PLASTIC BODY WITH ACID RESISTING INTERIOR AND HALF GRATE ALUMINUM BEEHIVE STRAINER. |
| FS-2 | FLOOR SINK | PLASTIC ODDITIES INC. | RPS-300SC | HJC | -- -- | SEE PLANS -- 12"0" x 5.5" DEEP, PLASTIC BODY WITH ACID RESISTING INTERIOR AND SOLID COVER & DRAIN OUTLET TEST PLUG. |
| FS-3 | FLOOR SINK | PLASTIC ODDITIES INC. | RSB3 | HJC | -- -- | 9"0" x 5.5" DEEP, PLASTIC BODY WITH ACID RESISTING INTERIOR. NO GRATE. GREY FINISH WITH SEDIMENT BUCKET. |
| FS-4 | FLOOR SINK | PLASTIC ODDITIES INC. | PSD965SW | HJC | -- -- | 9"0" x 5.5" DEEP, PLASTIC BODY WITH ACID RESISTING INTERIOR. FLOOR SINK (PLUGGED FOR FUTURE USE). SOLID COVER. RIM TO BE FLUSH WITH FLOOR. GREY FINISH. |
| PS-6 | FLOOR SINK | PLASTIC ODDITIES INC. | RBH-300T | HJC | -- -- | 12"0" x 5.5" DEEP, PLASTIC BODY WITH ACID RESISTING INTERIOR AND THREE-QUARTER PLASTIC GRATE TOP WITH ALUMINUM BEEHIVE STRAINER. |
| GHW-1 | GAS WATER HEATER | A.O. SMITH | BTX-100 | HJC | 1-1/4" | ADA COMPLIANT UNDER MOUNT STAINLESS STEEL LAUNDRY. INSTALL AS REQUIRED TO MEET ADA GUIDELINES. PROVIDE WITH 50 GALLONS STORAGE @ 110°F TEMPERATURE. 130 MBH NAT. GAS INPUT 120W RECEPTACLE FOR BLOWER & IGNITION SYSTEM. PROVIDE THERMAL EXPANSION DEVICE PROVIDE DRIP PAN. USE CONCENTRIC SIDEWALL VENT. SEE ARCHITECTURAL PLAN FOR WATER TEMP. SET @ 140°F PVC FLOOR SHALL BE DWV ASTM-D2686 WATER HEATER STAND BY HOLD-RITE MODEL 840-S-24-U WITH QP-24 DRAIN PAN. USE MAINLINE M.T.S. THERMAL EXPANSION TANK. |
| HUB-1 | HUB DRAIN | | | PC | -- -- 3" | 3" X 6" INCREASER FITTING. TOP OF FITTING SET @ 1" A.F.F. PROVIDE WITH 3" SNAP-IN STRAINER. |
| HUB-2 | HUB DRAIN | | | PC | -- -- 3" | 3" X 6" INCREASER FITTING. TOP OF FITTING SET @ 1" A.F.F. DRAIN TO BE ABOVE CABINET BASE. COORDINATE LOCATION. SNAP-IN STRAINER NOT REQUIRED. |
| HUB-3 | HUB DRAIN | | | PC | -- -- 3" | 3" X 4" INCREASER FITTING. PROVIDE WITH 3" SNAP-IN STRAINER. |
| RP-1 | RECIRCULATING PUMP | BELL & GOSSETT | NBF-9ULW | HJC | -- -- -- | PROVIDE WITH MODEL AQS-112 AQUASTAT. PROVIDE ELECTRICAL DISCONNECT SWITCH. ELECTRICAL REQUIREMENTS ARE 115V/180Hz. CAPACITY FOR PUMP IS 5 GPM AT 5 FT HEAD. |
| LAV-1 | LAVATORY UNDERMOUNT SINK | ELKAY | ELUH1811 W/ LKUCIIP | CABINET | 1/2" 1/2" 3" | 1-1/2" ADA COMPLIANT UNDER MOUNT STAINLESS STEEL LAVATORY. INSTALL AS REQUIRED TO MEET ADA GUIDELINES. PROVIDE WITH MASURE MODEL RH18SRJK, #155WC OFFSET STRAINER AND TAILPIECE & #8802 PROVIDE ZURN FAUCET MODEL #Z9315 GENA-XL WITH THESE OPTIONS 0.5 GPM VANDAL RESISTANT LAMINAR FLOW & LOW LEAD COMPLIANT. PROVIDE WITH MIXING VALVE WATTS MODEL #LWMMV-US-M1. INSTALL USING MANUFACTURERS RECOMMENDATIONS. USE OFFSET TAILPIECE TO AVOID CONFLICT WITH CABINET DOOR. |
| MR-1 | MOP RECEPTOR | FIAT | MSB-2436 | HJC | 3/4" 3/4" 3" | 1-1/2" FLOOR MOUNTED MOLDED PLASTIC BASIN WITH HOSE BRACKET 832-AA, WALL MOUNTED FAUCET 830-AA, MOP HANGER 885-CC AND CORNER GUARD ON THE FRONT LIP. FIAT PRODUCTS STRAINER #1453-BB. PVC P-TRAP. |
| MW4 | SINK COUNTERTOP | | | CABINET | 1/2" 1/2" 3" | 1-1/2" FURNISHED BY WAWA, INSTALLED BY PLUMBING CONTRACTOR. |
| MW5.5 / MW5 | SINK COUNTERTOP | | | CABINET | 1/2" 1/2" 3" | 1-1/2" FURNISHED BY WAWA, INSTALLED BY PLUMBING CONTRACTOR. REFERENCE DETAIL ON THIS SHEET. |
| MX-1 | MIXING VALVE (LAVATORIES) | WATTS REGULATOR | LFMMV-CPVC-M1 | HJC | 1/2" 1/2" | -- ASSE 1070 MIXING VALVE SET AT 120° F (UNLESS NOTED). |
| MX-2 | MIXING VALVE (HAND WASHING) | WATTS REGULATOR | LFMMV-CPVC-M1 | HJC | 1/2" 1/2" | -- ASSE 1070 MIXING VALVE SET AT 120° F (UNLESS NOTED). |
| NFWH-1 | WALL HYDRANT-STONE | JAY R. SMITH | 5509QT 5619 | HJC | 3/4" | -- 3/4" WALL HYDRANT AS LOCATED ON THE PLUMBING DRAWINGS. WALL HYDRANTS SHALL BE AUTOMATIC DRAINING WITH 3/4" INCH VACUUM BREAKER HOSE CONNECTION. COLD WATER SUPPLY SHALL BE PROVIDED WITH A BACKFLOW PREVENTER AS INDICATED ON THE PLUMBING DRAWINGS. |
| NFWH-2 | WALL HYDRANT-BRICK | | | | -- | -- 3/4" WALL HYDRANT-BRICK AS LOCATED ON THE PLUMBING DRAWINGS. |
| TP-1 | TRAP PRIMER | PRECISION PLUMBING | P1-500 | HJC | 1/2" | -- PROVIDE TRAP PRIMER AS INDICATED ON THE PLUMBING DRAWINGS. WHEN A SINGLE PRIMER SERVES MULTIPLE FIXTURES, PROVIDE TRAP PRIMER WITH A DISTRIBUTION UNIT. |
| UR-1 | URNAL | AMERICAN STANDARD | 6581 017 | HJC | 3/4" | 1-1/2" 3" TRIMBROOK 1.0 GPF SIPHON JER URNAL, ADA COMPLIANT FLUSHING RIM, VITREOUS CHINA URNAL, LOW CONSUMPTION AND SIPHON JET FLUSH ACTION. SLOAN "ROYAL OPTIMA" FLUSH VALVE MODEL 186-1 ES-S TOP SPUD WITH ACCESSORY EL-154 & EL-226. PROVIDE WITH RECOMMENDED K2 HANGERS. |
| WC-1 | WATER CLOSET FLUSH VALVE (ADA) | AMERICAN STANDARD | 3461.160 | HJC | 1" | 4" 2" FLOOR MOUNTED ADA COMPLIANT, VITREOUS CHINA, 1.6 GPF. TOP SPUD, ELONGATED FLUSH VALVE WATER CLOSET. PROVIDE WITH MANUFACTURERS RECOMMENDED ANGLE SUPPLY STOPS, SLOAN "ROYAL OPTIMA" FLUSH VALVE MODEL 111 ES-S TOP SPUD WITH ACCESSORIES EL-154 & EL-226. PROVIDE WITH OLSONITE MODEL #855CT OPEN FRONT WHITE SEAT. |
| WCO | WALL CLEANOUT | ZURN | Z1446 | HJC | -- -- | -- WALL CLEANOUT WITH STAINLESS STEEL ROUND ACCESS COVER. SEE PLANS FOR PIPE SIZE CONNECTION. |
| SA | SHOCK ARRESTOR | WILKINS | 1250 | HJC | -- -- | -- WATER HAMMER ARRESTOR SHALL MEET ASSE 1010. THE DEVICE SHALL CONSIST OF A COPPER BODY WITH AN ACETAL PISTON, BUNA NITRILE O-RINGS AND LEAD FREE SOLDER. THE DEVICE SHALL BE PRE-CHARGED AND SEALED AT THE FACTORY. |

NOTES:
1. REFER TO ARCHITECTURAL DRAWINGS FOR ALL FINAL LOCATIONS AND MOUNTING DIMENSIONS OF ALL PLUMBING FIXTURES. PROVIDE ADA CONFORMING FACTORY INSULATION KIT ON HOT, COLD AND P-TRAP WASTE PIPING AT HANDICAP DESIGNATED LAVATORIES.
2. SEE EQUIPMENT SCHEDULE ON SHEET E01 FOR EQUIPMENT NOT LISTED.

Order Plans

1925 Prospect Ave.
Orlando, FL 32814
P (407) 661-9100
F (407) 661-9101
www.c.p.com

Chuhaci & Peterson
Architects Engineers Planners

WAWA
260 W. BALTIMORE PIKE
WAWA, PA 19003

PROJECT NAME: **W50FB-VA 2018 01-MA STORE #6668-SUD**
10981 DAVIDSON PLACE
MANASSAS, VA 20109

CLIENT NAME: **WAWA**

| Revision | Schedule | Date |
|----------|-----------------|------------|
| No. | Description | Date |
| 1 | PERMIT SET | 01/04/2019 |
| 2 | PERMIT COMMENTS | 03/15/2019 |
| 3 | BID SET | 06/27/2019 |

PROJECT NO: 217054
DATE: 01/04/2019
DRAWN: KJM
CHECKED: JPK

P6