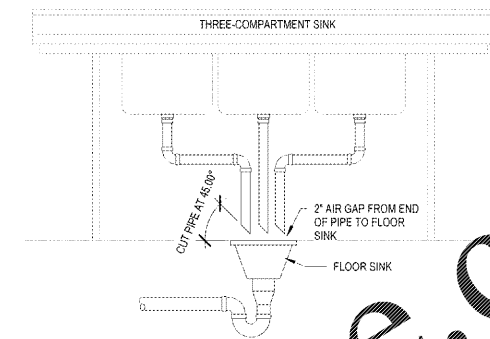
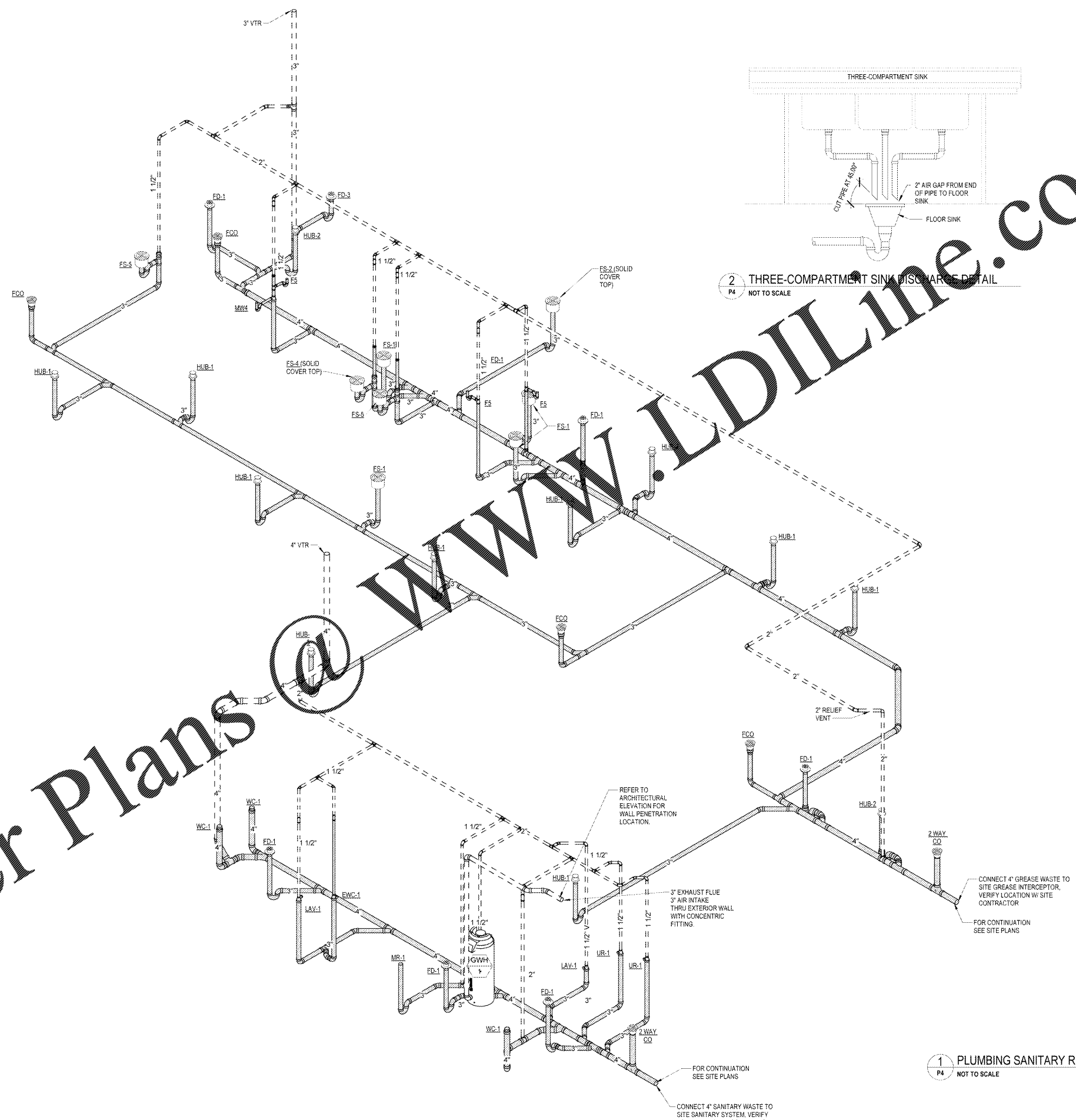


Order Plans



2 THREE-COMPARTMENT SINK DISCHARGE DETAIL  
P4 NOT TO SCALE

1 PLUMBING SANITARY RISER DIAGRAM  
P4 NOT TO SCALE

WWW.LDILINE.COM

1925 Prospect Ave.  
Orlando, FL 32814  
P (407) 661-9100  
F (407) 661-9101  
www.c-p.com

**4**  
*Chiaci & Peterson*  
Architects Engineers Planners

CLIENT NAME  
**WAWA**  
280 W. BALTIMORE PIKE  
WAWA, PA 19063

PROJECT NAME  
W50FB-VA 2018 01-MA  
STORE #8668-SUD  
10891 DAVIDSON PLACE  
MANASSAS, VA 20109  
SHEET TITLE  
**PLUMBING SANITARY RISER DIAGRAM**

Revision Schedule	
No.	Description
1	PERMIT SET
2	PERMIT COMMENTS
3	BID SET

Revision Schedule	Date
1	01/04/2019
2	03/15/2019
3	08/27/2019

PROJECT NO.	DATE	DRAWN	CHECKED
2170354	01/04/2019	KLM	JFK

P4