

Order Plans @ WWW.EDILINE.COM

BUILDING AUTOMATION SYSTEM (BAS NOTES)

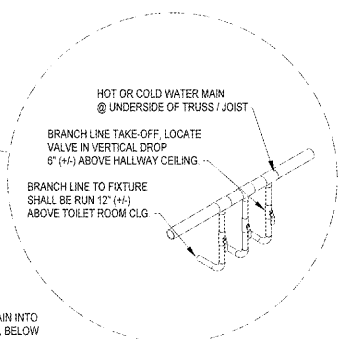
1. PLUMBING CONTRACTOR SHALL REVIEW THE BAS DRAWINGS FOR ADDITIONAL INFORMATION.
2. CSR WATER FILTRATION SYSTEM SHALL BE MONITORED BY THE BAS TO MEASURE WATER PRESSURE.
 - A. PRESSURE SENSOR AND PRESSURE GAUGE SHALL BE LOCATED AS SHOWN ON THE WATER SERVICE RISER DIAGRAM AND CSR SYSTEM ELEVATION.
 - B. PRESSURE GAUGE SHALL BE PROVIDED BY THE PLUMBING CONTRACTOR.
 - C. PRESSURE SENSOR SHALL BE FURNISHED BY THE BAS CONTRACTOR.
 - D. PRESSURE SENSOR SHALL BE INSTALLED BY THE PLUMBING CONTRACTOR.
 - E. PRESSURE SENSOR CONTROL WIRING SHALL BE PROVIDED BY THE BAS CONTRACTOR.

DOMESTIC WATER SUB-METERING

1. PLUMBING CONTRACTOR SHALL PROVIDE SUB-METERING IN THE DOMESTIC WATER SERVICE AND IRRIGATION WATER SERVICE AS INDICATED ON THE RISER DIAGRAM.
2. DOMESTIC WATER MAIN SUB-METER (M1) SHALL BE "MASTER METER" MODEL M22-400-004-31224 MONITORED BY THE BAS SYSTEM, CONFIGURED FOR 10 PULSES PER GALLON.
3. LAWN IRRIGATION WATER MAIN SUB-METER (I1) SHALL BE "MASTER METER" MODEL B18-1-A04-0312A MONITORED BY THE BAS SYSTEM, CONFIGURED FOR 1 PULSE PER GALLON.

DOMESTIC WATER PIPING

1. DOMESTIC HOT AND COLD WATER PIPING AND FITTINGS, INSIDE THE BUILDING, SHALL BE "FLO-GUARD GOLD" CPVC. PLUMBING CONTRACTOR SHALL PROVIDE ALL VALVES, FITTINGS, AND TRANSITIONS AS REQUIRED.
2. PIPING SUPPORTS SHALL BE PROVIDED IN STRICT ACCORDANCE WITH APPLICABLE CODES AND MANUFACTURERS REQUIREMENTS.
3. PER MANUFACTURERS REQUIREMENTS, CPVC WATER PIPING LOCATED IN INTERIOR SPACE IS NOT REQUIRED TO BE INSULATED.
4. ALL WATER PIPING LOCATED IN EXTERIOR WALLS SHALL BE INSULATED.
5. ALL SHUT-OFF VALVE HANDLES SHALL MATCH IN COLOR, UNLESS THE HANDLE COLORS ARE CONSISTENT WITH THE SERVICE. IF USING DIFFERENT COLORED HANDLES, USE BLUE HANDLES FOR COLD WATER AND RED HANDLES FOR HOT WATER.
6. USE PEX PIPING FOR ALL WATER LINES UNDER SLAB.



1925 Prospect Ave.
Orlando, FL 32814
P (407) 661-9100
F (407) 661-9101
www.c-p.com

Chalaci & Peterson
Architects Engineers Planners

CLIENT NAME
WAWA
260 W. BALTIMORE PIKE
WAWA, PA 19063

PROJECT NAME
W50FB-VA 2018 01-MA STORE #6668-SUD
10691 DAVIDSON PLACE
MANASSAS, VA 20109

Revision Schedule	No.	Description	Date
PERMIT SET	1	PERMIT COMMENTS	01/04/2019
BID SET	1	BID SET	08/27/2019

PROJECT NO.	2170534
DATE	01/04/2019
DRAWN	KLM
CHECKED	JFK

PLUMBING DOMESTIC WATER PLAN