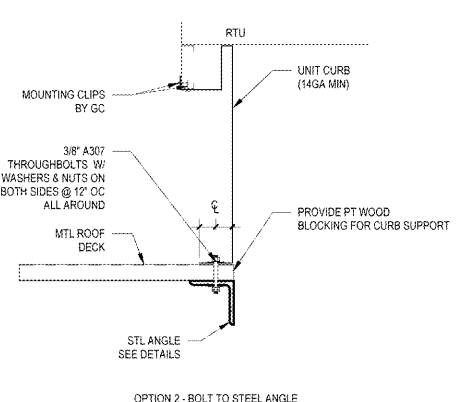
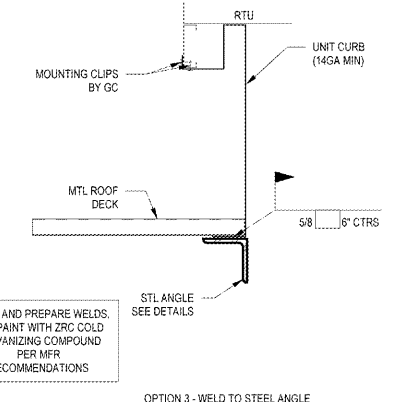


OPTION 1 - HOLD DOWN STRAP TO STEEL ANGLE



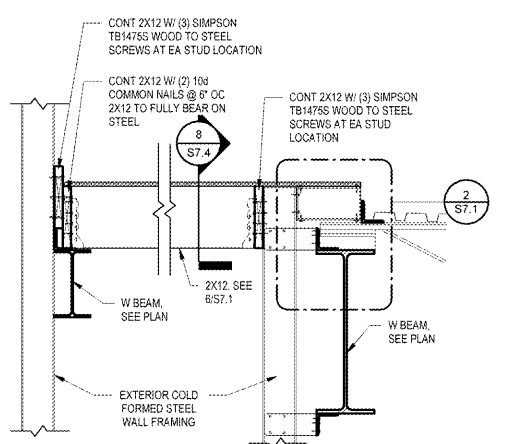
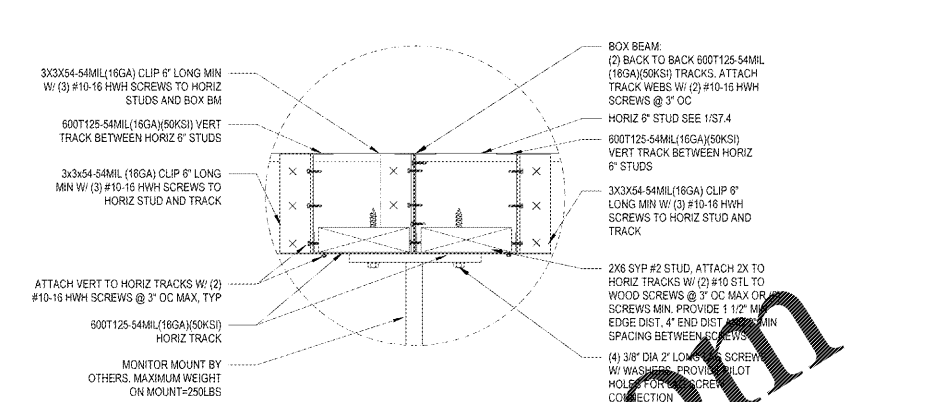
OPTION 2 - BOLT TO STEEL ANGLE



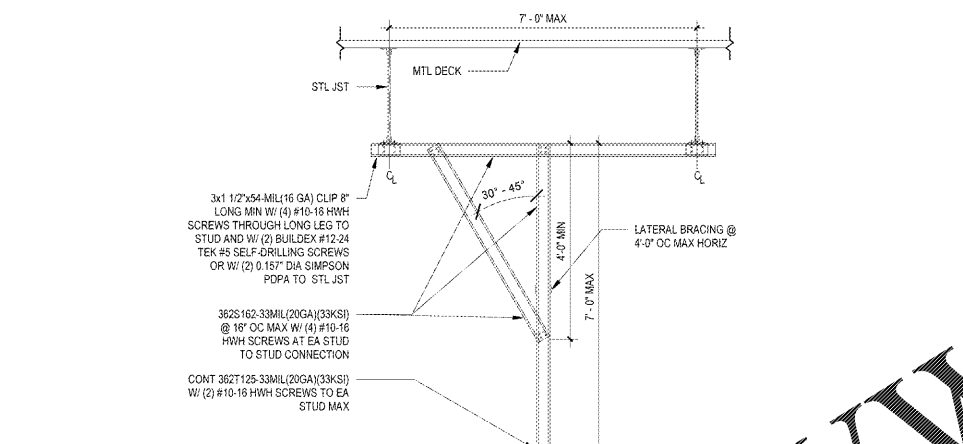
OPTION 3 - WELD TO STEEL ANGLE

10 MECHANICAL UNIT CURB ATTACHMENT  
S7.4 1 1/2" = 1'-0"

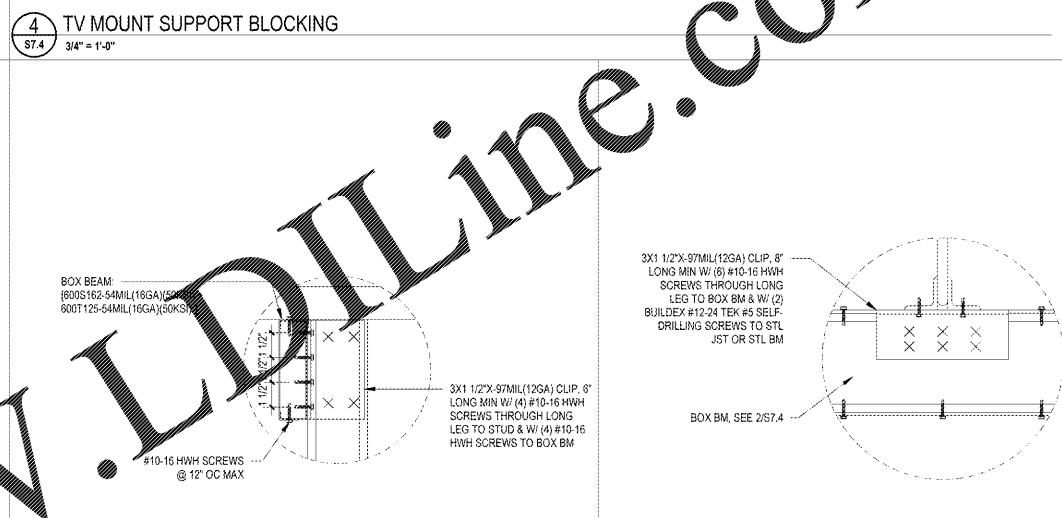
4 TV MOUNT SUPPORT BLOCKING  
S7.4 3/4" = 1'-0"



9 CATWALK SECTION AT TOWER  
S7.4 3/4" = 1'-0"

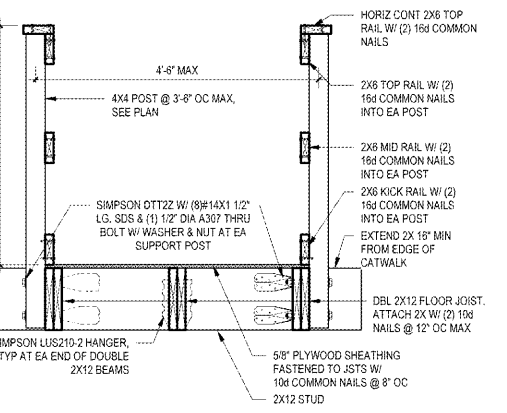


6 INTERIOR FASCIA DETAIL  
S7.4 1/2" = 1'-0"

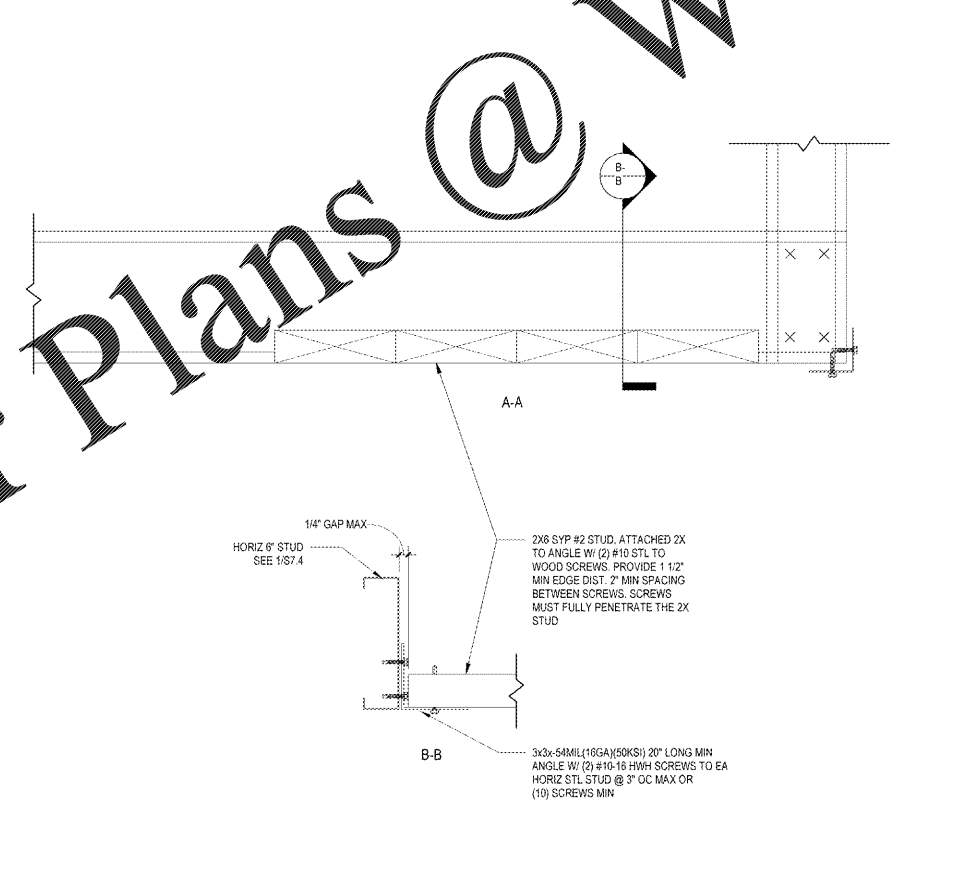


2 VERT STUD CONNECTION TO BOX BEAM  
S7.4 3/4" = 1'-0"

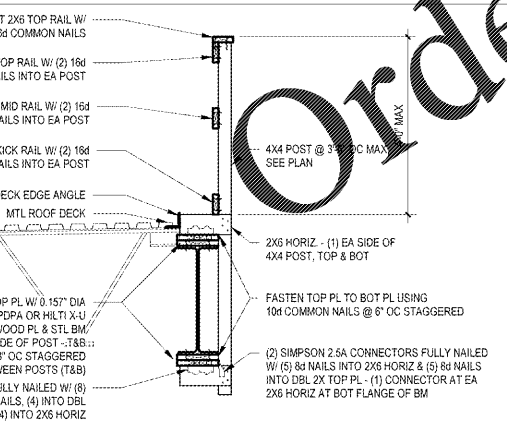
3 BOX BEAM CONNECTION TO JST OR STL BEAM  
S7.4 3/4" = 1'-0"



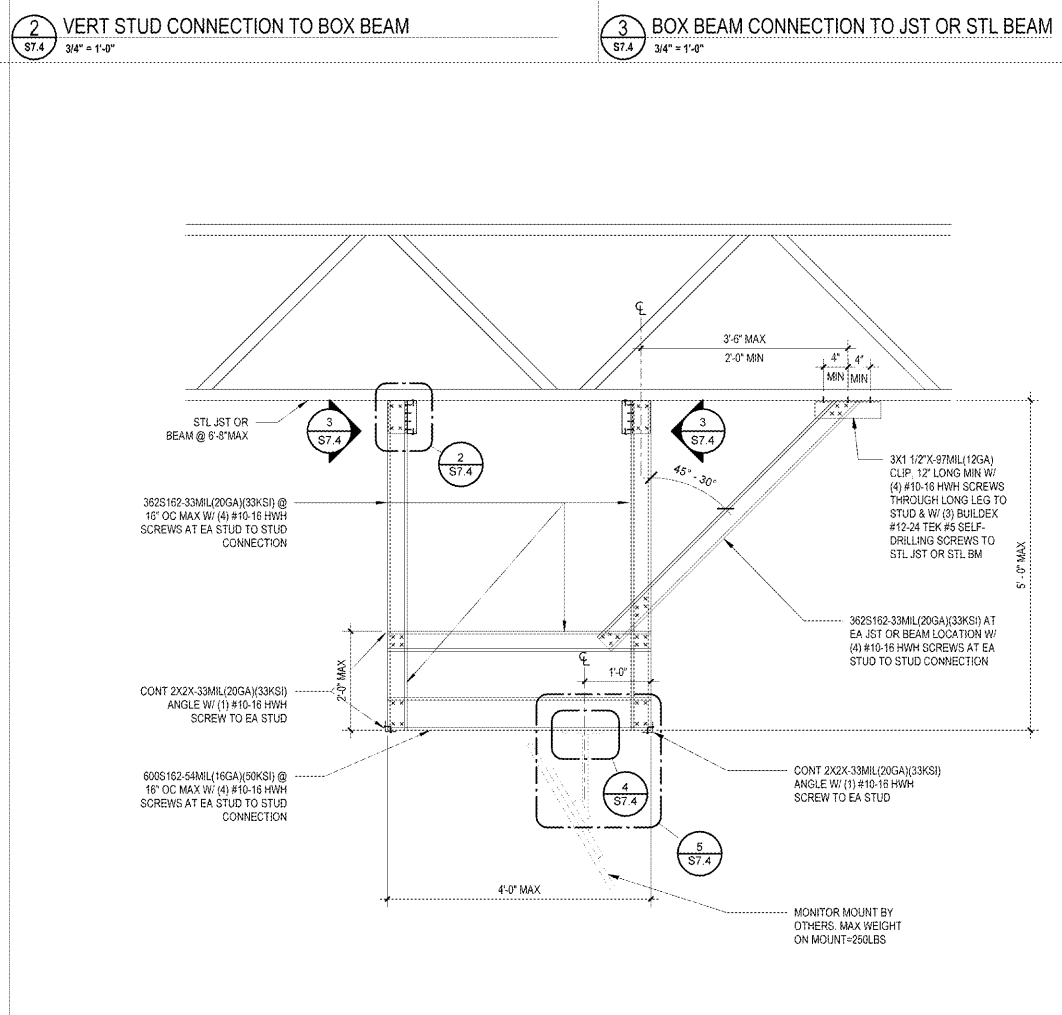
8 CATWALK SECTION  
S7.4 3/4" = 1'-0"



5 TV SHROUD @ FOOD SERVICE SOFFIT  
S7.4 1" = 1'-0"



7 GUARDRAIL POST DETAIL  
S7.4 1/2" = 1'-0"



1 MONITOR SUPPORT FRAMING DETAIL  
S7.4 3/4" = 1'-0"

Order Plans @ www.LDILine.com

1925 Prospect Ave.  
Orlando, FL 32814  
P (407) 661-9100  
F (407) 661-9101  
www.l.dil.com

**LDI**  
**Chidaci & Peterson**  
Architects Engineers Planners  
ORLANDO • PHILADELPHIA

CLIENT NAME  
**WAWA**  
280 W BALTIMORE PIKE  
WAWA, PA 19063

PROJECT NAME  
W50FB-VA 2018.01-MA  
STORE #6668-SUD  
10891 DAVIDSON PLACE  
MANASSAS, VA 20109

No.	Description	Date
1	PERMIT SET	01/04/2019
1	PERMIT COMMENTS	03/15/2019
	BID SET	05/27/2019

PROJECT NO.	DATE	DRAWN	RC	CHECKED	JJ
2170584	01/04/2018				

S7.4