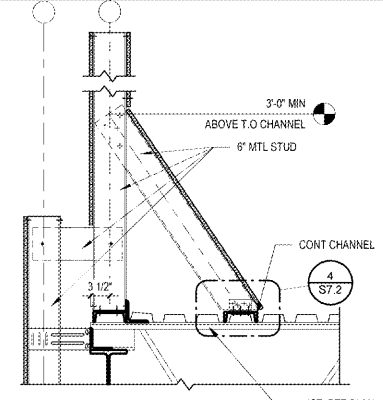


17 TOWER COLUMN CONNECTION

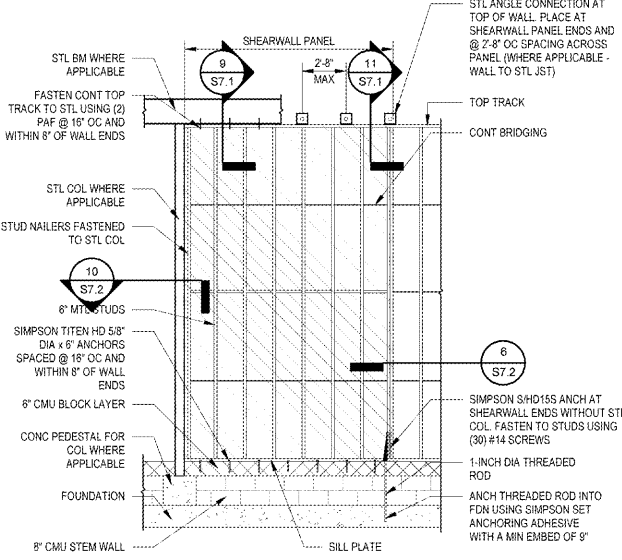
S7.2 1 1/2" x 1'-0"



13 PARAPET FRAMING PERPENDICULAR TO JOIST - FRONT

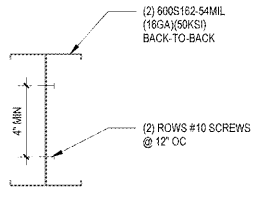
S7.2 3/4" x 1'-0"

FASTEN SHEATHING TO FRAMING USING ET&F PANELFAST KNURLED AGS-100 SERIES PNEUMATIC FASTENERS INTO 5/8\"/>



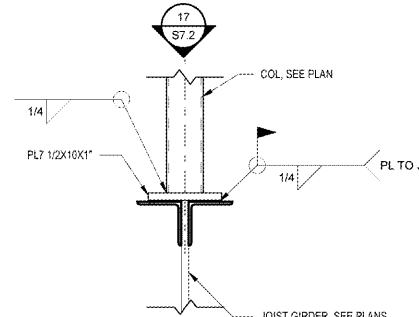
9 BLOCKING DETAIL

S7.2 1/4" x 1'-0"



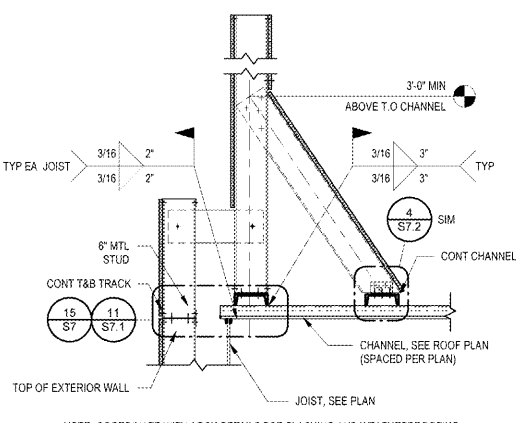
6 TYPICAL SHEARWALL CHORD

S7.2 3\"/>



16 HSS TOWER COLUMN TO JOIST CONNECTION

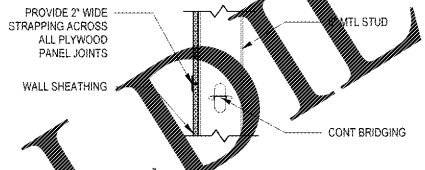
S7.2 1\"/>



12 PARAPET FRAMING PARALLEL TO JOIST

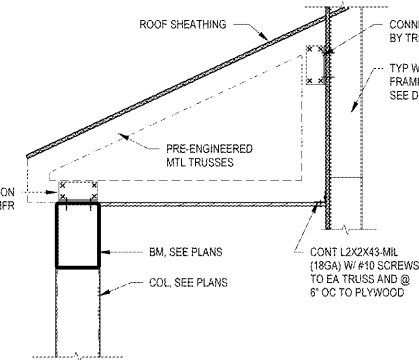
S7.2 3/4" x 1'-0"

NOTES:
1. SEE GENERAL NOTES SECTION 05100 FOR SHEATHING REQUIREMENTS.
2. NO SUBSTITUTIONS ALLOWED WITHOUT PRIOR ENGINEER APPROVAL.
3. INSTALL FASTENERS 3/8\"/>



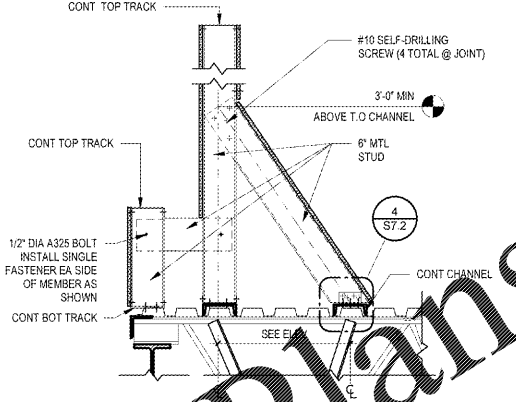
5 BLOCKING DETAIL

S7.2 1\"/>



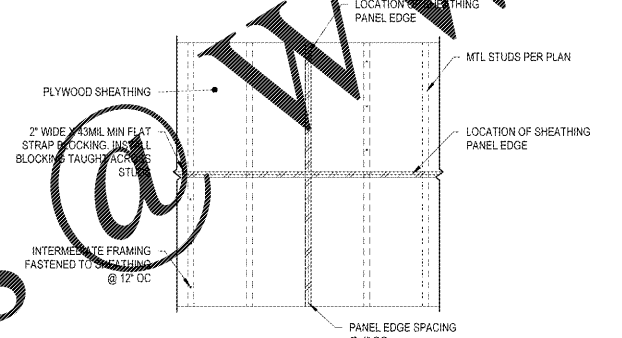
15 LIGHT GAUGE CANOPY FRAMING

S7.2 3/4" x 1'-0"



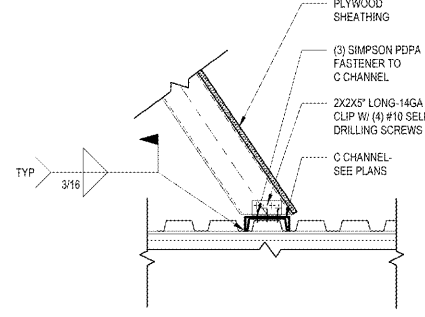
11 REAR PARAPET FRAMING PERPENDICULAR TO JOIST - REAR

S7.2 3/4" x 1'-0"



8 BLOCKING DETAIL

S7.2 1/2" x 1'-0"



4 PARAPET BRACE CONNECTION DETAIL

S7.2 1\"/>

SHEET GENERAL NOTES

- SEE GENERAL NOTES AND SPECIFICATIONS FOR ADDITIONAL REQUIREMENTS NOT SHOWN HERE TO INCLUDE PAINTING / COATING REQUIREMENTS.
- DETAILS FOR CONNECTIONS ARE SCHEMATIC. STEEL FABRICATOR SHALL PROVIDE FINAL CONNECTION DESIGN. LIGHT GAUGE METAL SUPPLIER SHALL ADOPT REQUIRED COMPONENTS AS SHOWN IN THE DETAILS AND ADJUST TO SPECIFIC FIELD CONDITIONS.

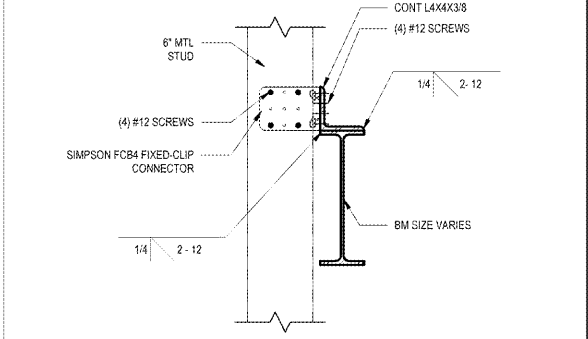
EXTERIOR COLD FORM FRAMING NOTES

ITEM	NOTES	COMMENTS
6\"/>		

COLD FORM CONNECTOR NOTES

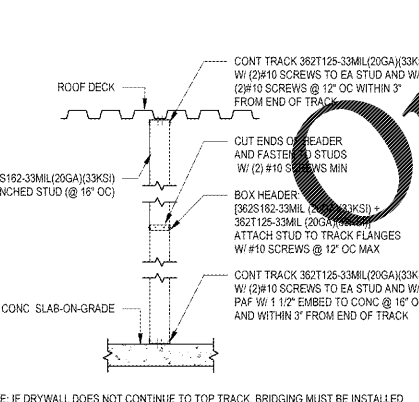
FASTENER TYPE	GENERAL INFORMATION	APPLICATION	COMMENTS
ET&F PANELFAST KNURLED AGS-100 SERIES PNEUMATIC FASTENERS		EXTERIOR WALL SHEATHING TO METAL STUDS	2\"/>
PAF		EXTERIOR APPLICATIONS	SIMPSON PDPA OR HLT-X-J PAF
PAF		INTERIOR APPLICATIONS	SIMPSON PDPA OR HLT-X-J PAF
#10 SCREW	#10 SELF-DRILLING SCREW	COLD FORM STEEL TO METAL DECK	16 THREADS PER INCH, #1 DRILL POINT
#10 SCREW	#10 SELF-DRILLING SCREW	COLD FORM STEEL TO COLD FORM STEEL (18GA OR THICKER)	16 THREADS PER INCH, #3 DRILL POINT
#10 SCREW	#10 SELF-DRILLING SCREW	COLD FORM STEEL TO STRUCTURAL STEEL	24 THREADS PER INCH, #3 DRILL POINT
#12 SCREW	#12 SELF-DRILLING SCREW	COLD FORM STEEL TO COLD FORM STEEL (18GA OR THICKER)	14 THREADS PER INCH, #3 DRILL POINT
#12 SCREW	#12 SELF-DRILLING SCREW	COLD FORM STEEL TO STRUCTURAL STEEL	14 THREADS PER INCH, #5 DRILL POINT
#14 SHOULDERED SCREW	SIMPSON XL5H78B1414 SHOULDERED SCREW	COLD FORM STEEL JAMB TO HEAD OF WALL CONNECTION	

- NOTES:
1. SEE SHEET S1 FOR APPROVED FASTENERS
2. GALVANIZED FASTENERS REQUIRED AT ALL EXTERIOR CONNECTIONS
3. CONSULT MANUFACTURER PRODUCT DATA FOR DRILL POINT REQUIRED FOR BASE MATERIAL.



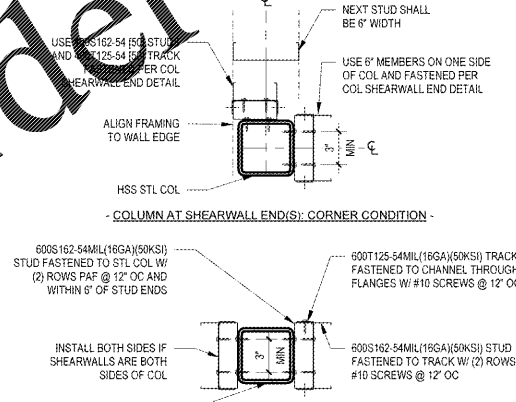
2 TOWER COLD-FORMED BYPASS FRAMING CONNECTIONS

S7.2 1 1/2" x 1'-0"



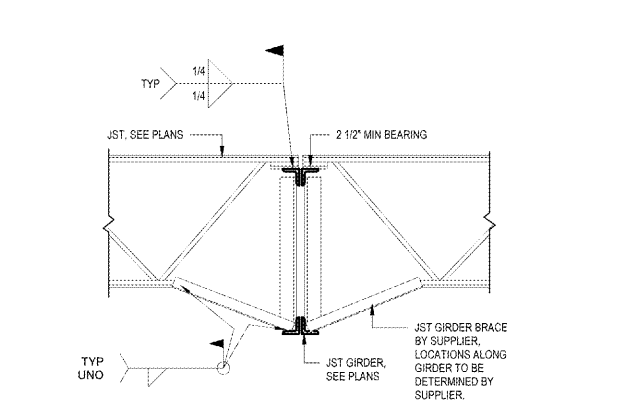
14 TYPICAL INTERIOR FRAMING DETAILS

S7.2 3/4" x 1'-0"



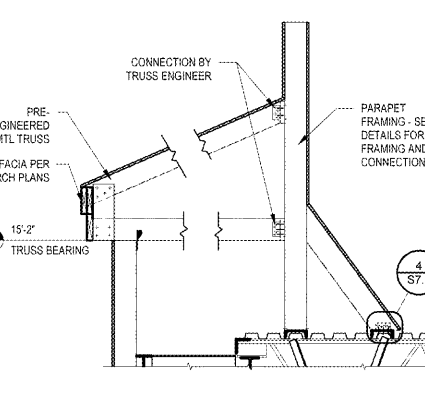
10 LATERAL COLUMN CONNECTION

S7.2 1 1/2" x 1'-0"



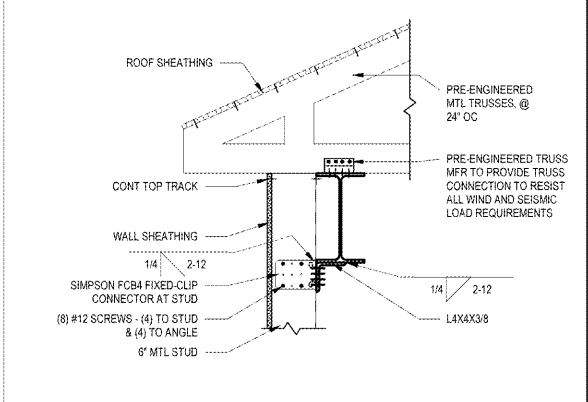
7 INTERMEDIATE JOIST TO JOIST GIRDER CONNECTION

S7.2 3/4" x 1'-0"



3 REAR TOWER ENTRY FRAMING

S7.2 12" x 1'-0"



1 TOWER COLD-FORMED FRAMING AT TOP OF WALL

S7.2 1\"/>

Order Plans

WWW.LDILINE.COM

1925 Prospect Ave.
Orlando, FL 32814
P (407) 661-9100
F (407) 661-9101
www.l.dilines.com

Chidaci & Peterson
Architects Engineers Planners
ORLANDO • PHILADELPHIA

CLIENT NAME
WAWA
280 W. BALTIMORE PIKE
WAWA, PA 19063

PROJECT NAME
W50FB-VA 2018.01-MA
STORE #6668-SUD
10891 DAVIDSON PLACE
MANASSAS, VA 20109

PROJECT NO.
2170584

DATE
01/04/2019

PERMIT SET
03/15/2019

PERMIT COMMENTS
08/27/2019

NO. Description

1 PERMIT SET

2 PERMIT COMMENTS

3 BID SET

DRAWN RC

CHECKED JJ

S7.2