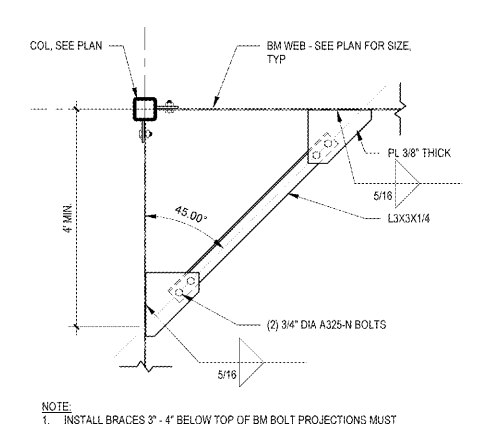


17 JOIST TO BEAM CONNECTION - FRONT
3/4" x 1'-0"



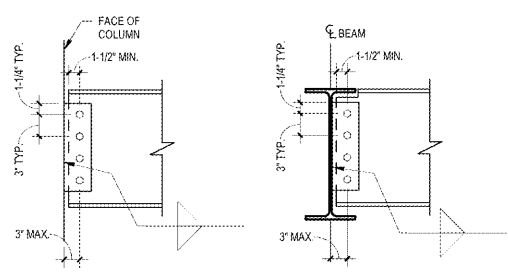
13 TOWER BRACE CONNECTION (HORIZONTAL)
3/4" x 1'-0"

SINGLE PLATE SHEAR CONNECTION TO BEAM OR COLUMN

BEAM SIZE	NUMBER OF 3/4\"/>			
W8, W10	2	5/16"	5-1/2"	3/16"
W12, W14	3	5/16"	6-1/2"	1/4"
W16	4	5/16"	11-1/2"	1/4"
W18	5	5/16"	14-1/2"	1/4"
W21	6	5/16"	17-1/2"	1/4"
W24, W27	7	3/8"	20-1/2"	1/4"

NOTES:
1. MINIMUM THICKNESS OF SUPPORTING MEMBER TO BE 0.20". WHEN THE WELDS FROM A SECOND CONNECTION ON THE SUPPORTING MEMBER ARE DIRECTLY OPPOSITE, MINIMUM THICKNESS TO BE 0.39".
2. PROVIDE HORIZONTAL SHORT SLOTTED HOLES IN BEAM WEB ONLY.

9 SINGLE PLATE SHEAR CONNECTION
3/4" x 1'-0"



5 ANCHOR ROD & GROUT DETAIL
1 1/2" x 1'-0"

SHEET GENERAL NOTES

- SEE GENERAL NOTES AND SPECIFICATIONS FOR ADDITIONAL REQUIREMENTS NOT SHOWN HERE TO INCLUDE PAINTING / COATING REQUIREMENTS.
- DETAILS FOR CONNECTIONS ARE SCHEMATIC. STEEL FABRICATOR SHALL PROVIDE FINAL CONNECTION DESIGN. LIGHT GAUGE METAL SUPPLIER SHALL ADOPT REQUIRED COMPONENTS AS SHOWN IN THE DETAILS AND ADJUST TO SPECIFIC FIELD CONDITIONS.

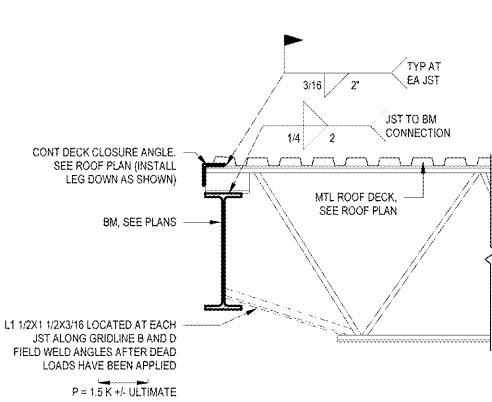
EXTERIOR COLD FORM FRAMING NOTES

ITEM	NOTES	COMMENTS
6" WALL STUDS	600S162-54MIL(16GA)(50KSI) PUNCHED STUD SPACED @ 16" OC MAX	ALL EXTERIOR WALLS
6" CONT TOP TRACK @ ROOF DECK	CONT 600T125-54MIL(16GA)(50KSI) W/ (2) #10 SCREWS TO EA STUD	
6" CONT BOT TRACK @ ROOF DECK	CONT 600T125-54MIL(16GA)(50KSI) W/ (2) #10 SCREWS TO EA STUD & (2) #10 SCREWS TO ROOF DECK @ 12" OC AND AT EA END OF TRACK	
6" CONT BOT TRACK @ STL CHANNELS	CONT 600T125-54MIL(16GA)(50KSI) W/ (2) 0.157" DIA PAF TO STL CHANNEL @ 12" OC AND AT EA END OF TRACK	
6" CONT BOT TRACK TO FOUNDATION	SIMPSON TITEN HD 1/4" DIA X 6" ANCHORS SPACED @ 16" OC & WITHIN 5" OF END	
CONT BRIDGING	CONT COLD ROLL FORMED STEEL BRIDGING TO CONT CHANNEL	4'-0" OC VERT SPACING & 12" FROM EA END OF STUD

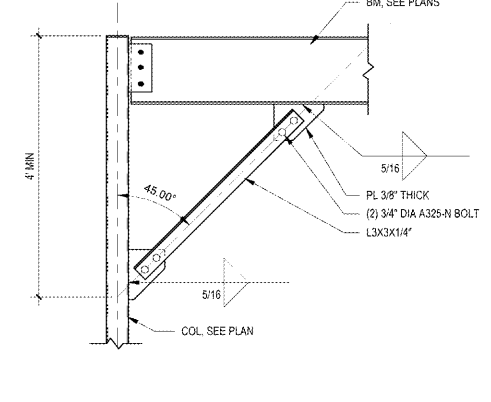
COLD FORM CONNECTOR NOTES

FASTENER TYPE	FASTENER INFORMATION	APPLICATION	COMMENTS
PNEUMATIC NAILS	ET&F PANEL FASTENERS KNIFE EDGED AGS-100 SERIES PNEUMATIC FASTENERS	EXTERIOR WALL SHEATHING TO METAL STUDS	2" OC AT SHEATHING PANEL EDGES (AT STRAPPING) & 12" OC IN FIELD
PAF	GALVANIZED - 0.157" DIA POWDER ACTUATED FASTENER	EXTERIOR APPLICATIONS	SIMPSON PDPA OR HILTI X-U PAF
P	0.157" DIA POWDER ACTUATED FASTENER	INTERIOR APPLICATIONS	SIMPSON POPA OR HILTI X-U PAF
#10 SCREW	#10 SELF-DRILLING SCREW	COLD FORM STEEL TO METAL DECK	16 THREADS PER INCH, #1 DRILL POINT
#10 SCREW	#10 SELF-DRILLING SCREW	COLD FORM STEEL TO COLD FORM STEEL (18GA OR THICKER)	16 THREADS PER INCH, #3 DRILL POINT
#10 SCREW	#10 SELF-DRILLING SCREW	COLD FORM STEEL TO STRUCTURAL STEEL	24 THREADS PER INCH, #3 DRILL POINT
#12 SCREW	#12 SELF-DRILLING SCREW	COLD FORM STEEL TO COLD FORM STEEL (18GA OR THICKER)	14 THREADS PER INCH, #3 DRILL POINT
#12 SCREW	#12 SELF-DRILLING SCREW	COLD FORM STEEL TO STRUCTURAL STEEL	14 THREADS PER INCH, #5 DRILL POINT
#14 SHOULDERED SCREW	SIMPSON XLSSH7B1414 SHOULDERED SCREW	COLD FORM STEEL JAMB TO HEAD OF WALL CONNECTION	

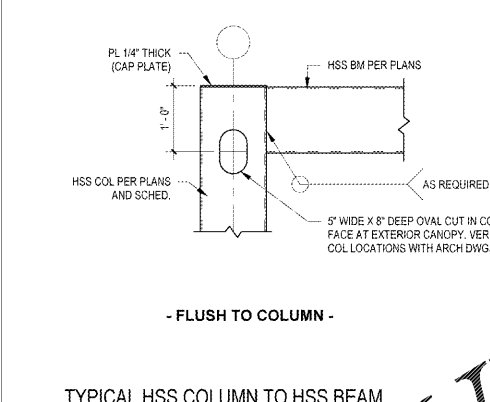
NOTES:
1. SEE SHEET S1 FOR APPROVED FASTENERS
2. GALVANIZED FASTENERS REQUIRED AT ALL EXTERIOR CONNECTIONS
3. CONSULT MANUFACTURER PRODUCT DATA FOR DRILL POINT REQUIRED FOR BASE MATERIAL.



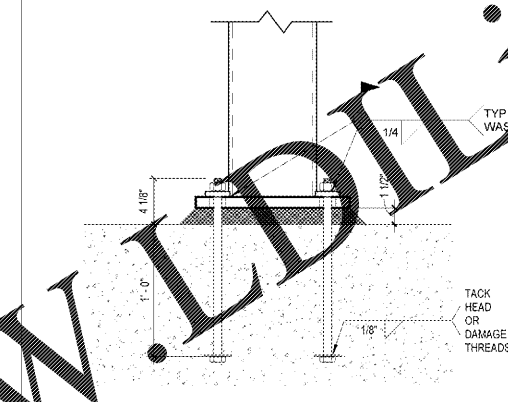
16 JOIST TO BEAM CONNECTION - REAR
3/4" x 1'-0"



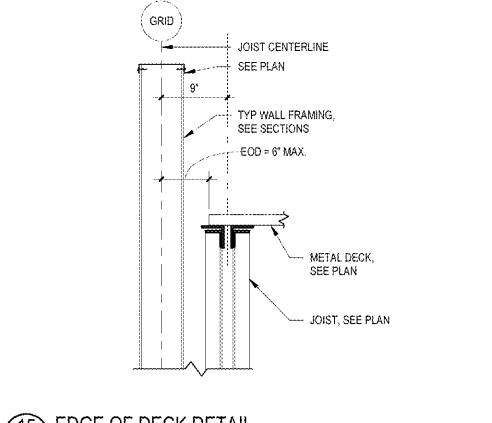
12 TOWER BRACE CONNECTION (VERTICAL)
3/4" x 1'-0"



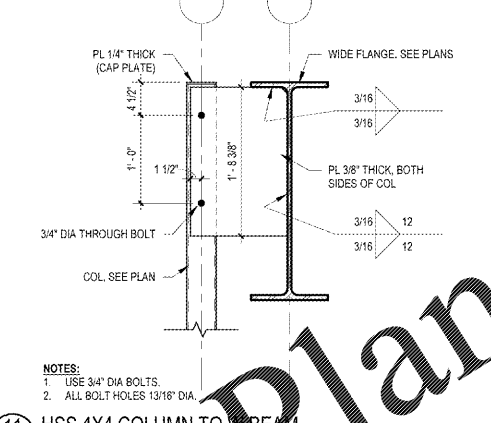
8 TYPICAL HSS COLUMN TO HSS BEAM CONNECTION
3/4" x 1'-0"



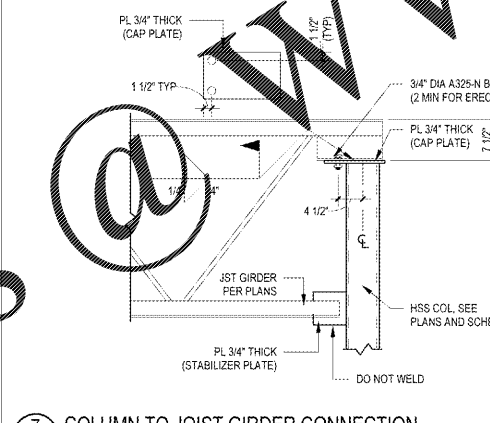
6 FLUSH TO COLUMN



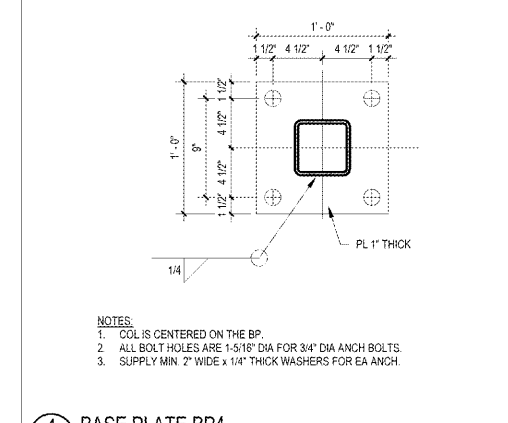
15 EDGE OF DECK DETAIL
1" x 1'-0"



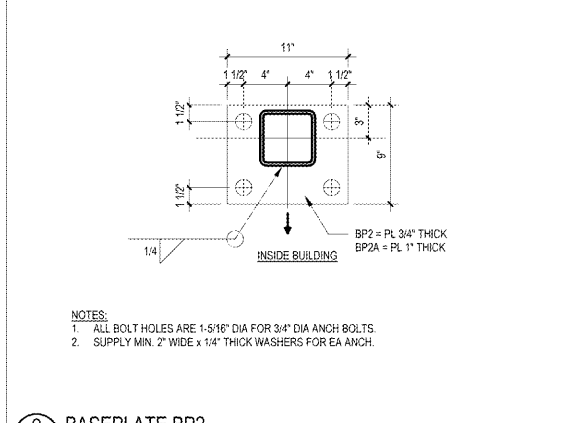
11 HSS 4X4 COLUMN TO WIDE BEAM
1" x 1'-0"



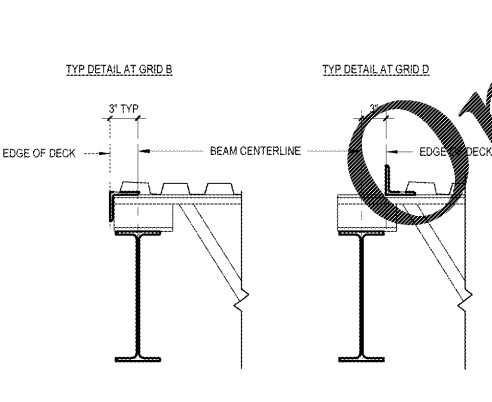
7 COLUMN TO JOIST GIRDER CONNECTION
3/4" x 1'-0"



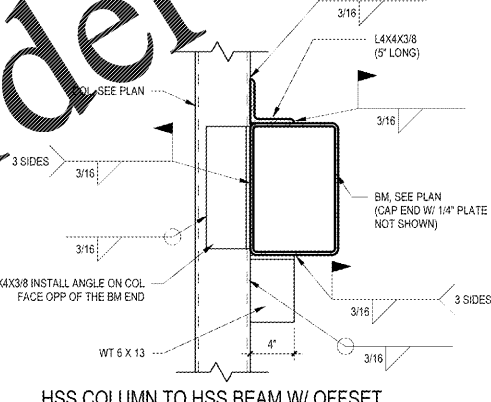
4 BASE PLATE BP4
1 1/2" x 1'-0"



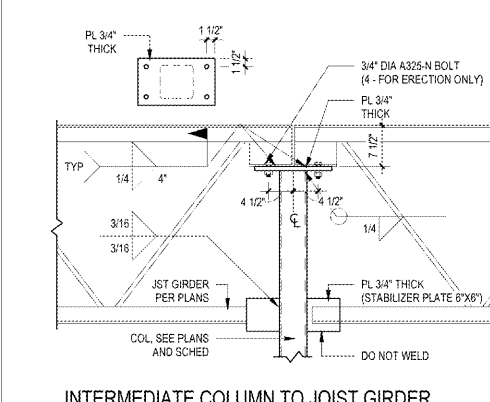
2 BASEPLATE BP2
1 1/2" x 1'-0"



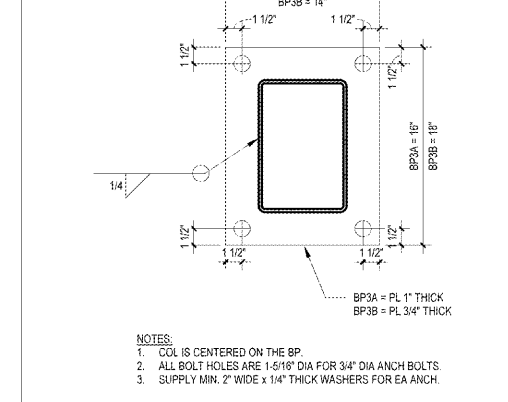
14 EDGE OF DECK DETAIL
1" x 1'-0"



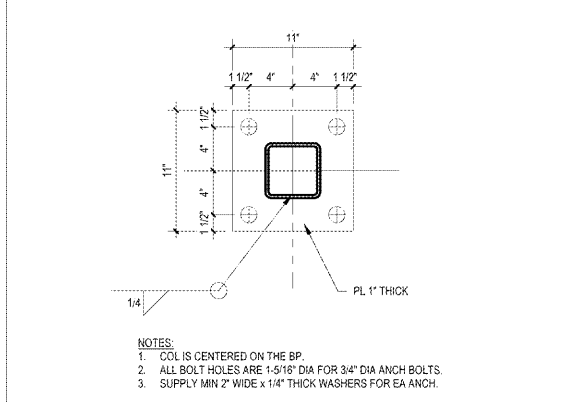
10 HSS COLUMN TO HSS BEAM W/ OFFSET SUPPORT
1 1/2" x 1'-0"



6 INTERMEDIATE COLUMN TO JOIST GIRDER CONNECTION
3/4" x 1'-0"



3 BASEPLATE BP3
1 1/2" x 1'-0"



1 BASEPLATE BP1
1 1/2" x 1'-0"

Order Plans

@www.LDOnline.com

1925 Prospect Ave.
Orlando, FL 32814
P (407) 661-9100
F (407) 661-9101
www.l.d.com

LD
Chadaci & Peterson
Architects Engineers Planners
ORLANDO • PHILADELPHIA

CLIENT NAME
WAWA
260 W. BALTIMORE PIKE
WAWA, PA 19063

PROJECT NAME
W50FB-VA 2018.01-MA
STORE #8668-SUD
10891 DAVIDSON PLACE
MANASSAS, VA 20109

No.	Description	Date
1	PERMIT SET	01/04/2019
1	PERMIT COMMENTS	03/15/2019
1	BID SET	09/27/2019

PROJECT NO.
2170584
DATE
01/04/2019
DRAWN
RC
CHECKED
JJ