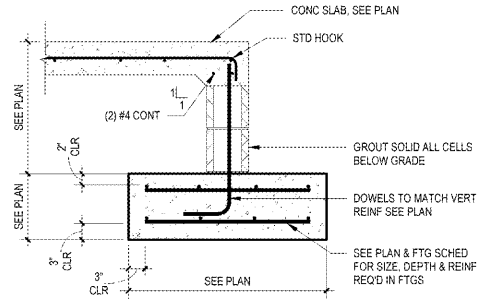
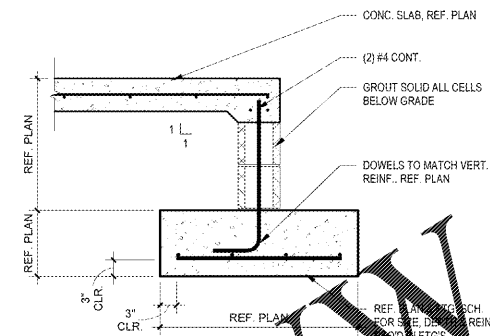


STRUCTURAL - WALL FOUNDATION SCHEDULE				
MARK	WIDTH	FOUNDATION THICKNESS	TOP REINF.	BOTTOM REINF.
WF4	4'-0"	1'-0"	(4) #5 CONT & #5 @ 18" OC TRANS	(4) #5 CONT & #5 @ 18" OC TRANS

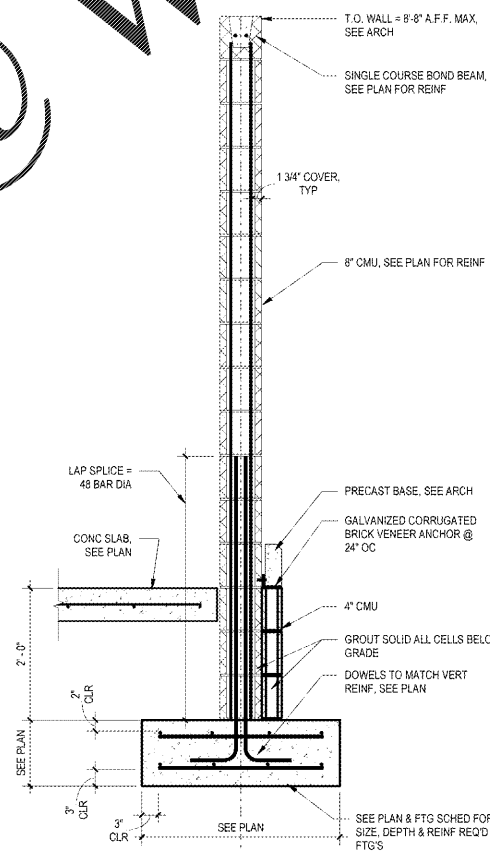
- GENERAL NOTES:**
- EXTERIOR FOOTINGS HEREIN ARE RELATIVE TO ADJACENT GRADE. THE TOP OF ALL EXTERIOR FOOTINGS SHALL BE: -2'-0"
 - SEE ARCH / PLUMBING DRAWINGS FOR DRAIN SLOPES, ELEVATIONS AND SLAB RECESSES.
 - OPENING / RE-ENTRANT CORNER, TYP. PROVIDE (2) #4 X 4'-0" LONG BARS AT MID-HEIGHT OF SLAB.



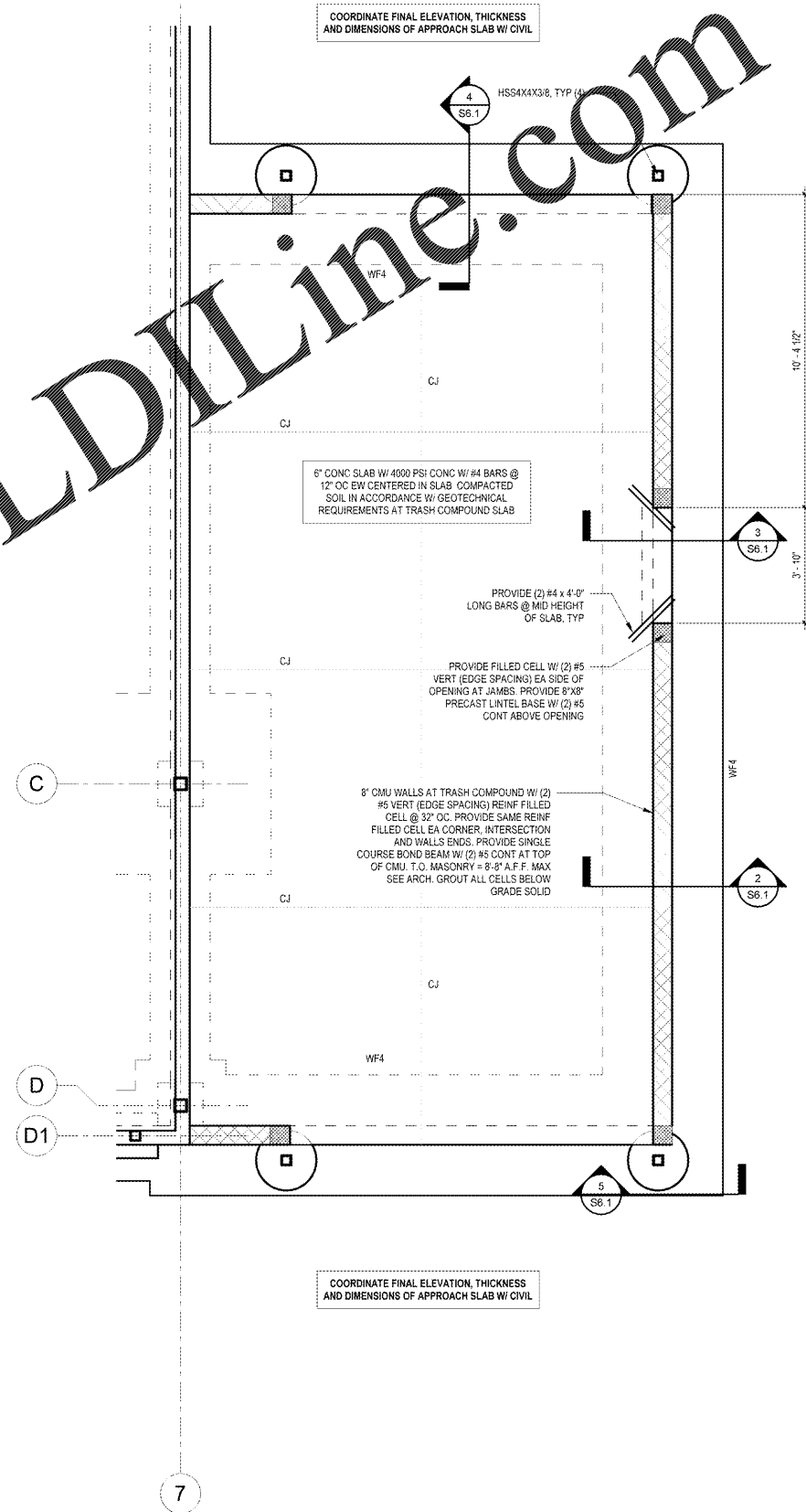
4 SLAB DETAIL
3/4" = 1'-0"



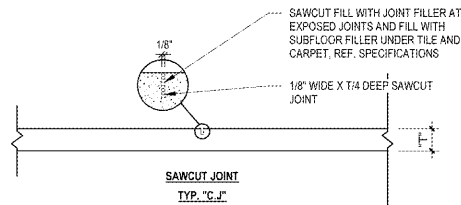
3 FOUNDATION DETAIL
3/4" = 1'-0"



2 WALL SECTION
3/4" = 1'-0"



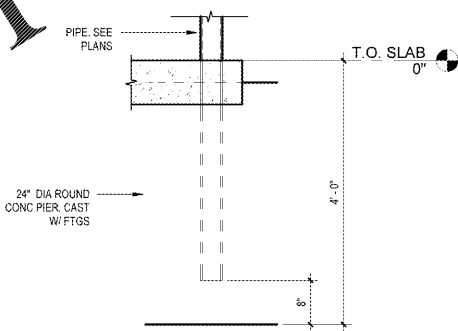
1 ENLARGED TRASH COMPOUND PLAN
3/8" = 1'-0"



6 GENERAL SLAB JOINT INFORMATION
3/4" = 1'-0"

- SLAB JOINT NOTES:**
- REF. PLAN FOR SLAB THICKNESS "T", REINFORCING AND SUBBASE
 - CONTROL JOINTS TO BE EITHER A SAWCUT OR CONSTRUCTION JOINT.
 - SAWCUT JOINT SHALL BE 1/8" WIDE X 1/4" DEEP CUT MADE WITHIN 24 HRS. OF POUR. WWF SHALL BE CONTINUOUS @ ALL C.J.S. U.O.N. ON PLANS

5 COLUMN ENCASED IN CONCRETE
3/4" = 1'-0"



Order Plans @ www.LDILine.com

1925 Prospect Ave.
Orlando, FL 32814
P (407) 661-9100
F (407) 661-9101
www.lp.com
Florida Certificate No. 140826

Chidaci & Peterson
Architects & Engineers
Planners
ORLANDO • PHILADELPHIA

CLIENT NAME WAWA 280 W. BALTIMORE PIKE WAWA, PA 19063
PROJECT NAME W50FB-VA 2018.01-MA STORE #6668-SUD 10891 DAVIDSON PLACE MANASSAS, VA 20109
SHEET TITLE TRASH COMPOUND PLAN AND DETAILS

No.	Description	Date
1	PERMIT SET	01/04/2019
1	PERMIT COMMENTS	03/15/2019
	BID SET	09/27/2019

PROJECT NO. 2170584	DATE 01/04/2019	DRAWN RC	CHECKED JJ
------------------------	--------------------	-------------	---------------

S6.1