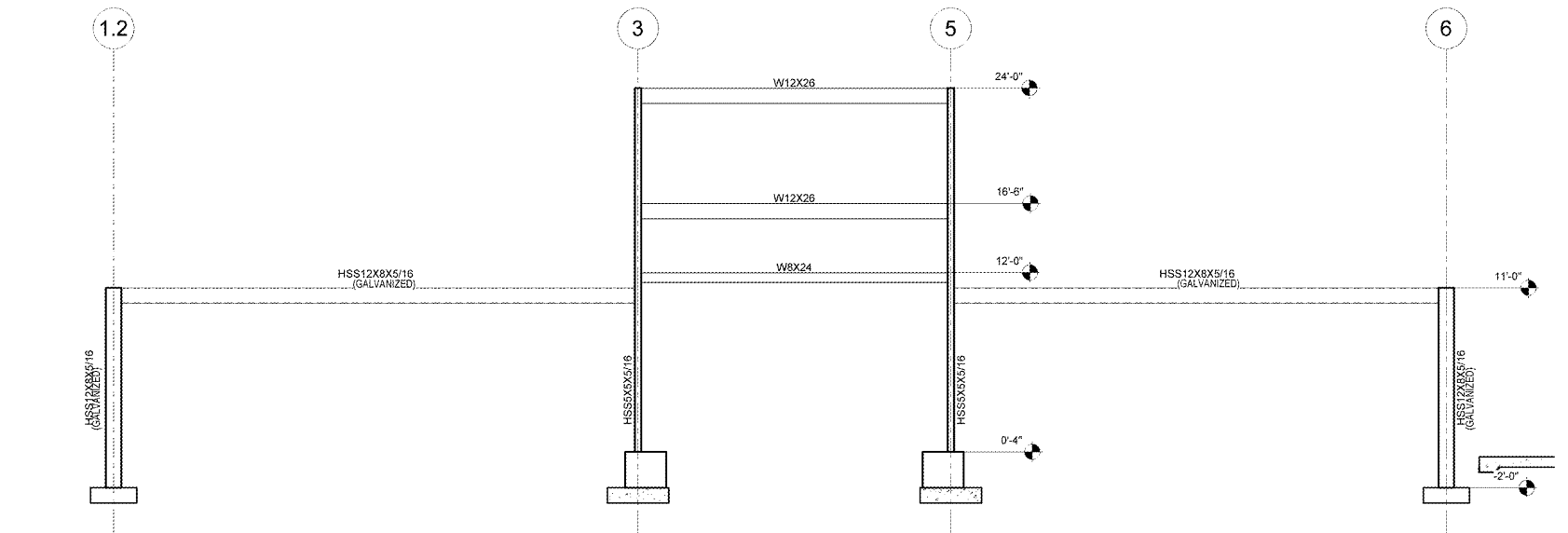
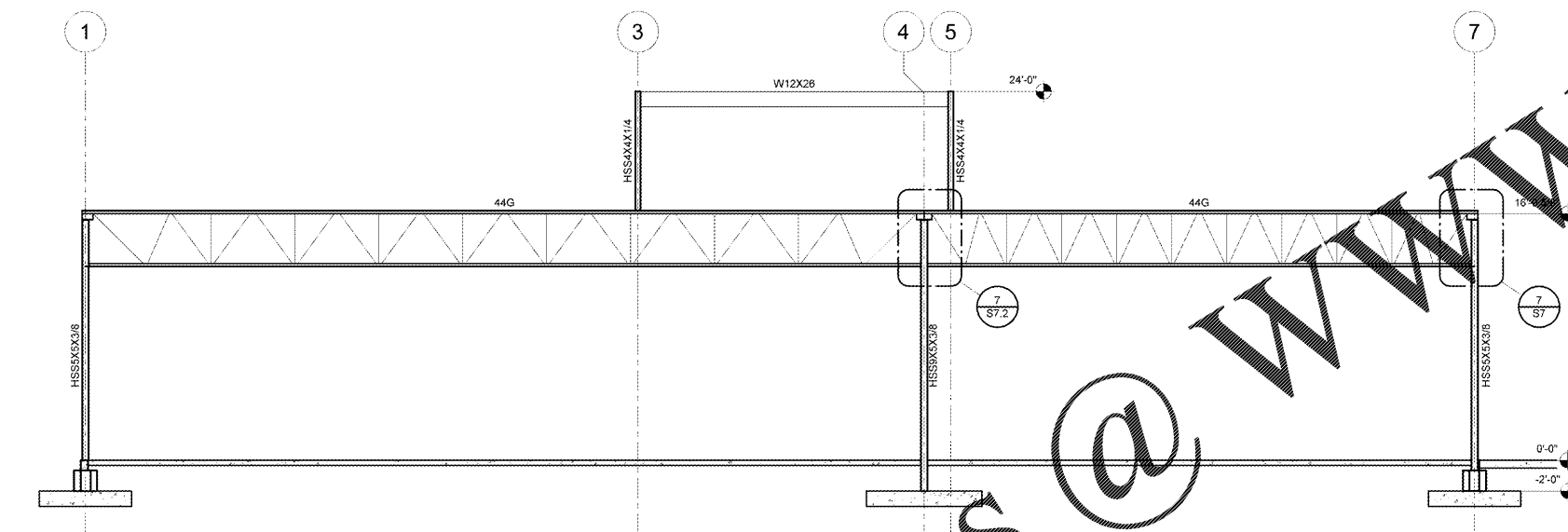


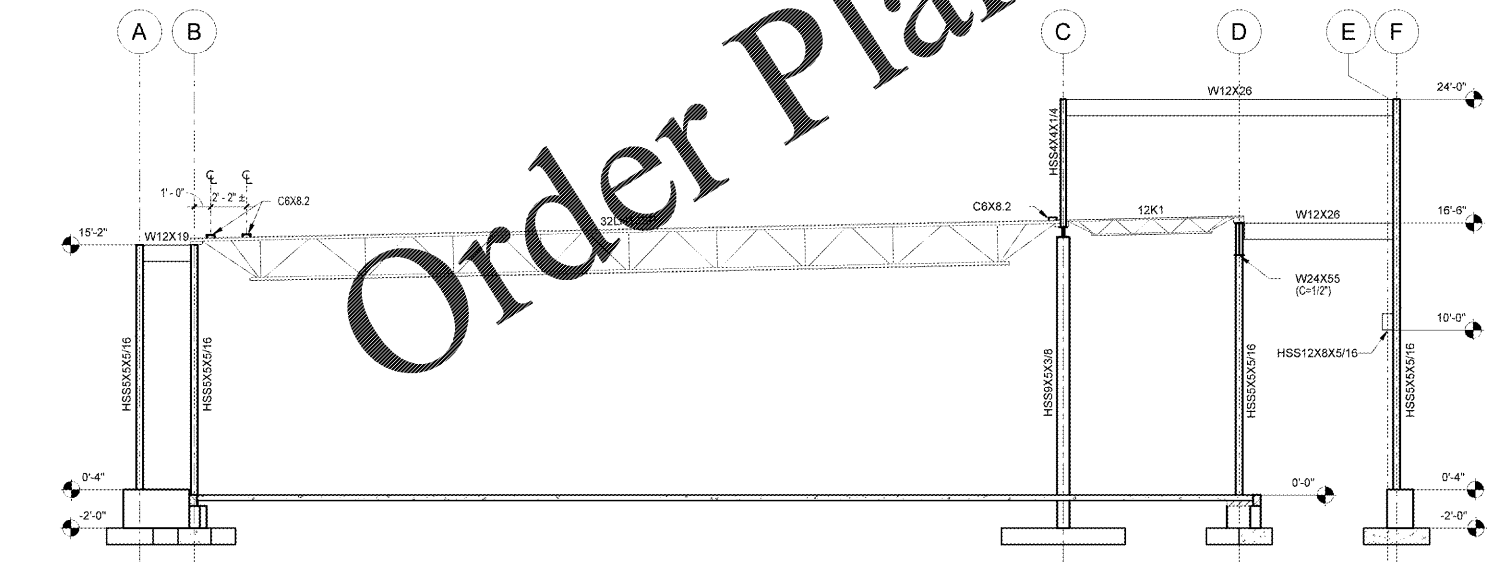
SHEET GENERAL NOTES  
 1. SEE GENERAL NOTES AND SPECIFICATIONS FOR ADDITIONAL REQUIREMENTS NOT SHOWN HERE TO INCLUDE PAINTING / COATING REQUIREMENTS.  
 2. FIELD ADJUST LOCATION OF CONT CHANNELS AS REQUIRED TO BEAR AT LOW POINTS OF ROOF DECK.



3 GRIDLINE F ELEVATION  
 S4.1 3/16" = 1'-0"



2 GRIDLINE C ELEVATION  
 S4.1 3/16" = 1'-0"



1 GRIDLINE 3 ELEVATION  
 S4.1 3/16" = 1'-0"

Order Plans @ WWW.LDILine.com

1925 Prospect Ave.  
 Orlando, FL 32814  
 P (407) 661-9100  
 F (407) 661-9101  
 www.c-p.com

**Chalaci & Peterson**  
 Architects Engineers Planners

CLIENT NAME  
**WAWA**  
 280 W. BALTIMORE PIKE  
 WAWA, PA 19063

PROJECT NAME  
 W50FB-VA 2018.01-MA  
 STORE #6666-SUD  
 10891 DAVIDSON PLACE  
 MANASSAS, VA 20109

SHEET TITLE  
**FRAMING ELEVATIONS**

No.	Description	Date
1	PERMIT SET	01/04/2019
1	PERMIT COMMENTS	03/15/2019
	BID SET	08/27/2019

PROJECT NO. 2170584	DATE 01/04/2019	DRAWN RC	CHECKED JJ
------------------------	--------------------	-------------	---------------

S4.1