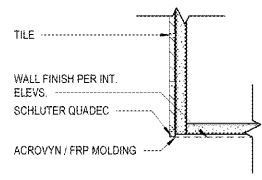


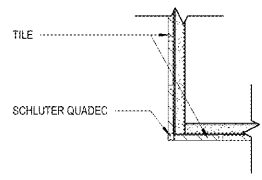
GENERAL NOTES
1. REFER TO INTERIOR ELEVATIONS SHEETS A9, A10, A10.1 FOR MORE INFORMATION.

5 CORNER DETAIL @ FRP
A11.2 3" = 1'-0"



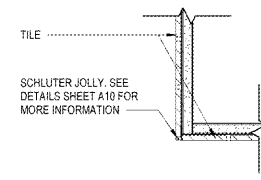
GENERAL NOTES
1. REFER TO INTERIOR ELEVATIONS SHEETS A9, A10, A10.1 FOR MORE INFORMATION.
2. REFER TO FINISH SCHEDULE, SHEET A9 FOR SCHLUTER STRIP COLOR.

4 CORNER DETAIL @ ACROVYN OR FRP/TILE
A11.2 3" = 1'-0"



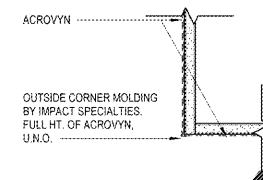
GENERAL NOTES
1. REFER TO INTERIOR ELEVATIONS SHEETS A9, A10, A10.1 FOR MORE INFORMATION.
2. REFER TO FINISH SCHEDULE, SHEET A9 FOR SCHLUTER STRIP COLOR.

3 CORNER DETAIL @ TILE (FOOD SERVICE)
A11.2 3" = 1'-0"



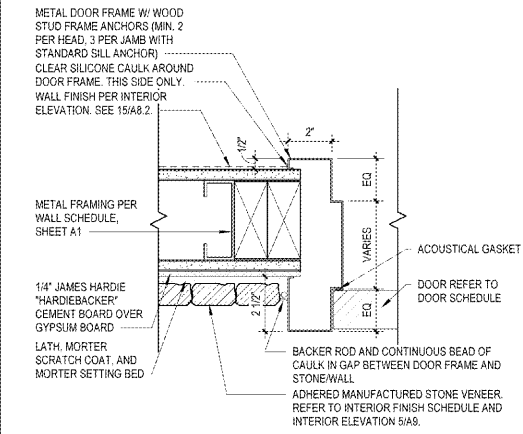
GENERAL NOTES
1. REFER TO INTERIOR ELEVATIONS SHEETS A9, A10, A10.1 FOR MORE INFORMATION.
2. REFER TO FINISH SCHEDULE, SHEET A9 FOR SCHLUTER STRIP COLOR.

2 OUTSIDE CORNER DETAIL @ TILE (RESTROOMS)
A11.2 3" = 1'-0"

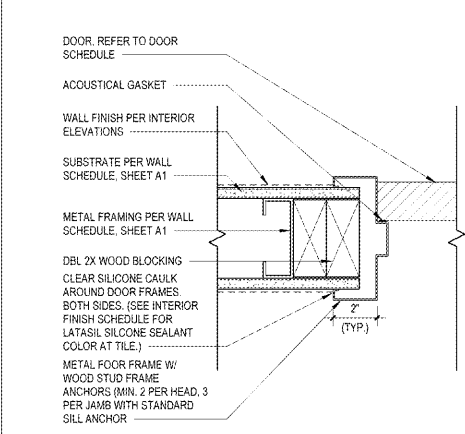


GENERAL NOTES
1. REFER TO INTERIOR ELEVATIONS SHEETS A9, A10, A10.1 FOR MORE INFORMATION.

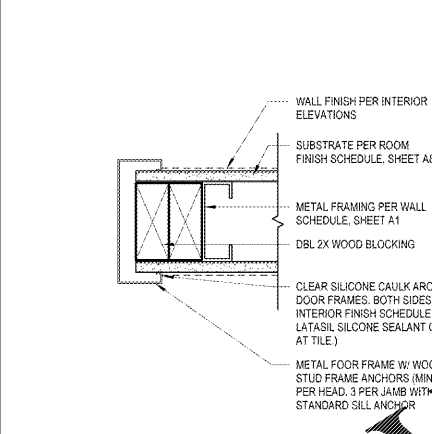
1 CORNER DETAIL @ ACROVYN
A11.2 3" = 1'-0"



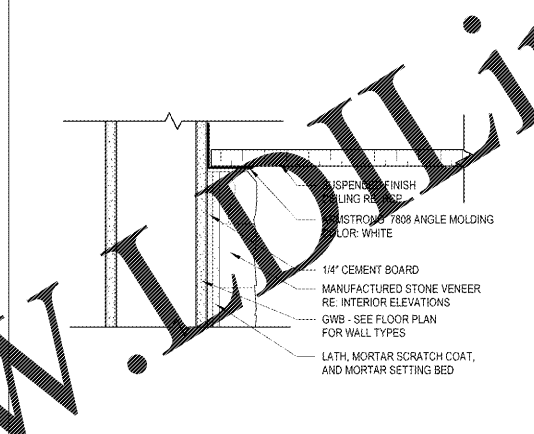
10 INT. DOOR JAMB @ CHECKOUT (HEAD SIM)
A11.2 3" = 1'-0"



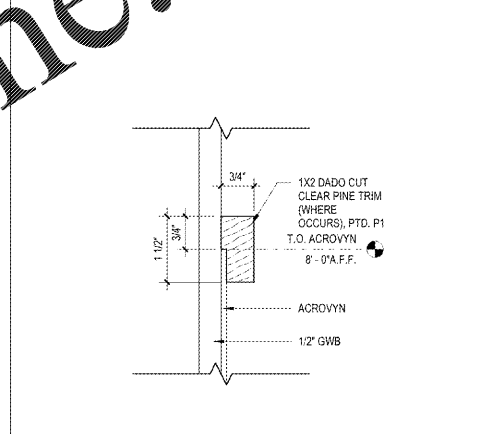
9 INT. DOOR JAMB DETAIL (HEAD SIM)
A11.2 3" = 1'-0"



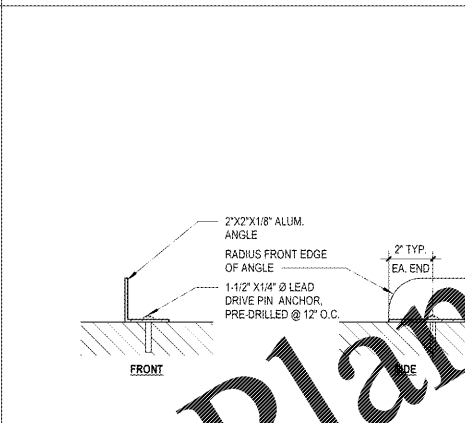
8 CASSED OPENING DETAIL
A11.2 3" = 1'-0"



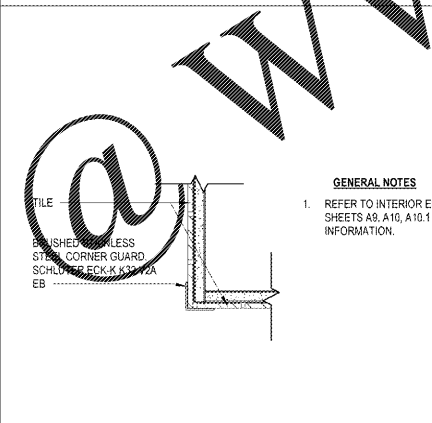
7 STONE VENEER DETAIL AT CEILING
A11.2 3" = 1'-0"



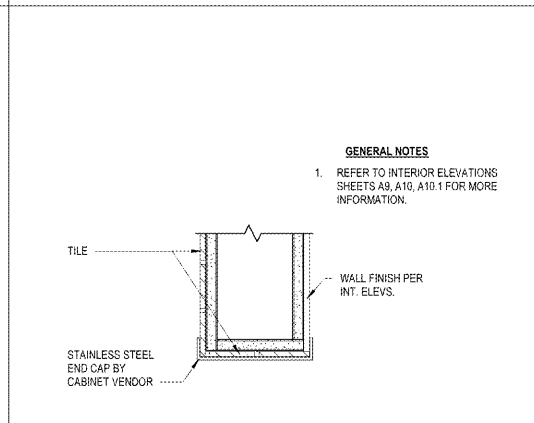
6 WALL TRIM DETAIL
A11.2 6" = 1'-0"



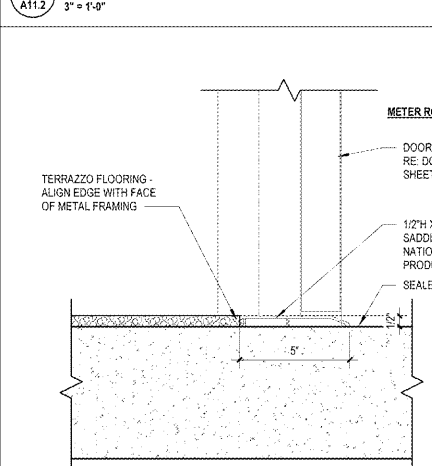
14 ALUMINUM ANGLE STOP DETAIL
A11.2 3" = 1'-0"



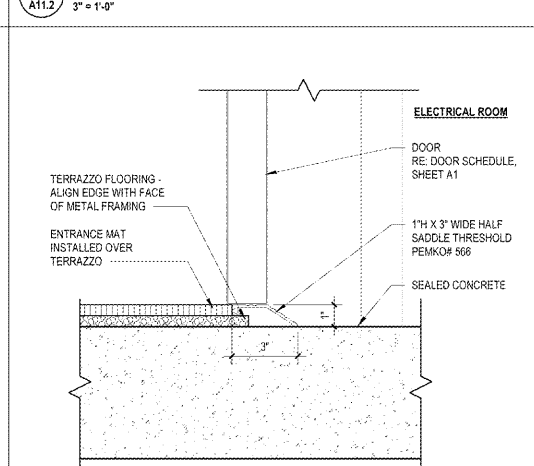
13 CORNER DETAIL @ TILE (S.S. CORNER)
A11.2 3" = 1'-0"



12 STAINLESS STEEL END CAP
A11.2 3" = 1'-0"



18 THRESHOLD @ METER ROOM
A11.2 3" = 1'-0"



17 THRESHOLD @ ELECTRICAL ROOM
A11.2 3" = 1'-0"

Order Plans

WWW.LDOnline.com

1925 Prospect Ave.
Orlando, FL 32814
P (407) 661-9100
F (407) 661-9101
www.l-d.com

LD
Chiaci & Peterson
Architects Engineers Planners

CLIENT NAME
WAWA
280 W. BALTIMORE PIKE
WAWA, PA 19083

PROJECT NAME
W50FB-VA 2018.01-MA
STORE #6658-SUD
10081 DAVIDSON PLACE
MANASSAS, VA 20109

Revision Schedule	
No.	Description
1	PERMIT SET
2	PERMIT COMMENTS
3	BID SET

PROJECT NO.
2-70594
DATE
01/04/2019
DRAWN
Author
CHECKED
Checker

A11.2