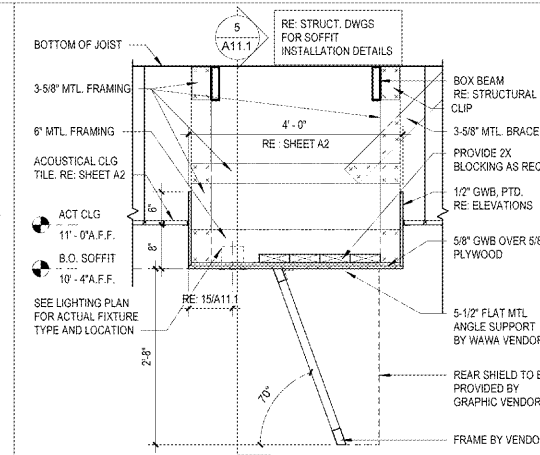
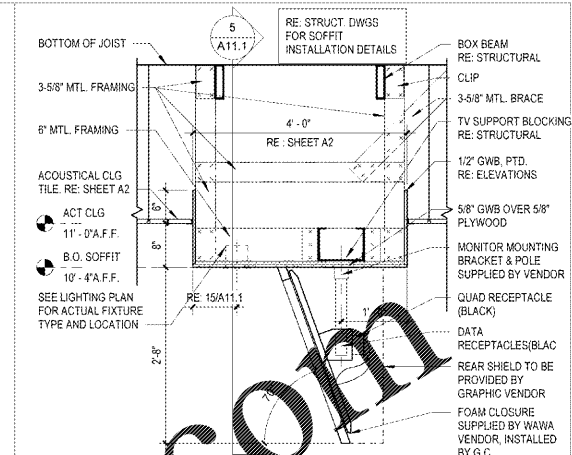


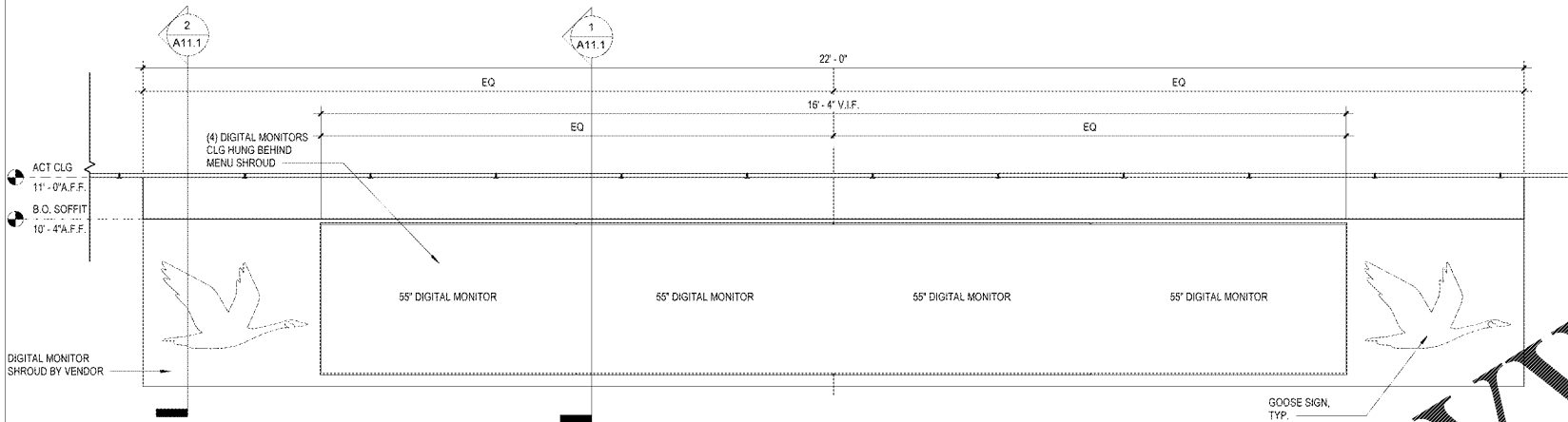
5 FOOD SERVICE SOFFIT SECTION
A11.1 3/4" = 1'-0"



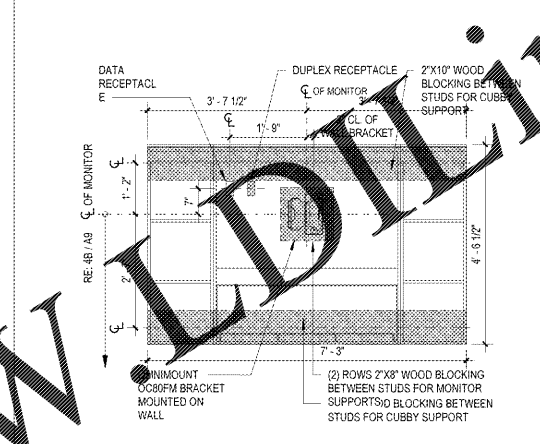
2 LED MONITOR @ FOOD SERVICE SOFFIT SECTION
A11.1 3/4" = 1'-0"



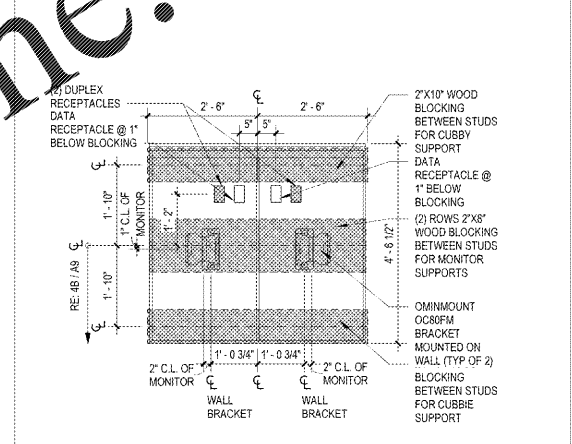
1 FOOD SERVICE SOFFIT SECTION
A11.1 3/4" = 1'-0"



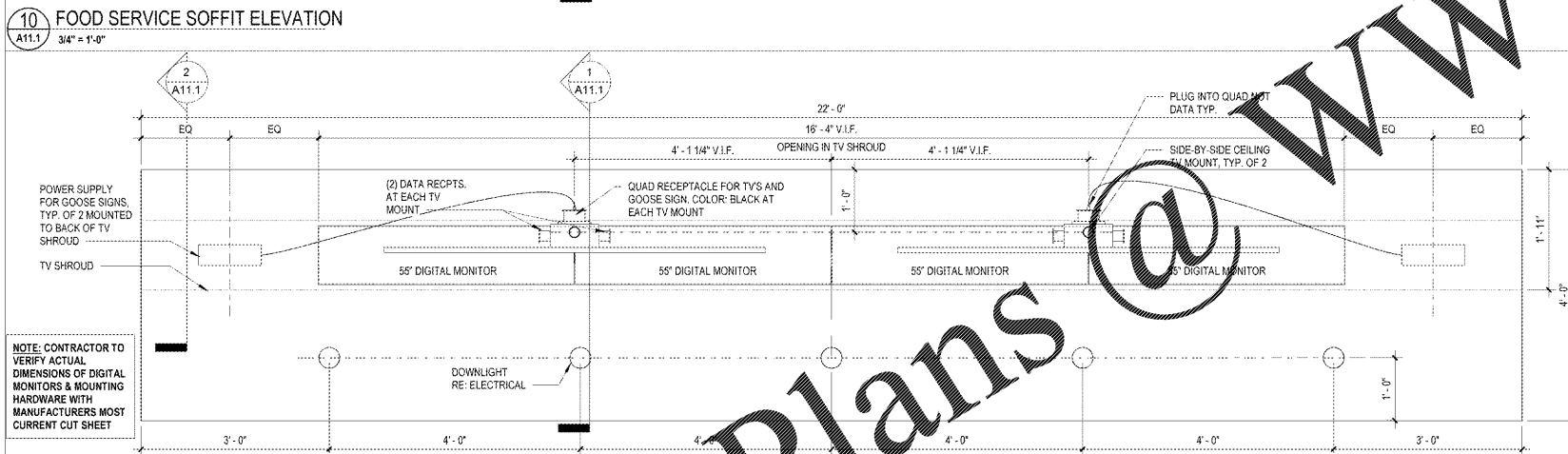
10 FOOD SERVICE SOFFIT ELEVATION
A11.1 3/4" = 1'-0"



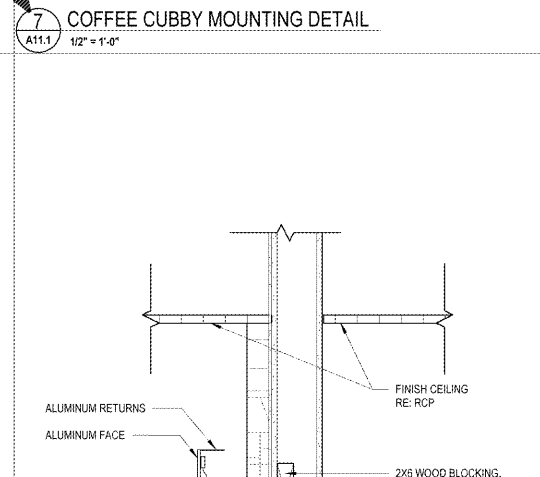
7 COFFEE CUBBY MOUNTING DETAIL
A11.1 1/2" = 1'-0"



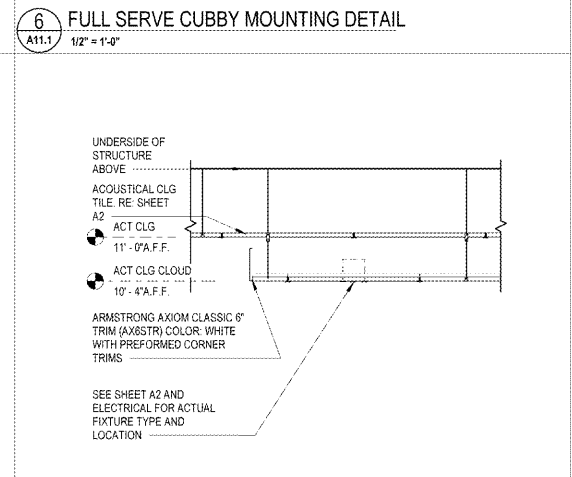
6 FULL SERVE CUBBY MOUNTING DETAIL
A11.1 1/2" = 1'-0"



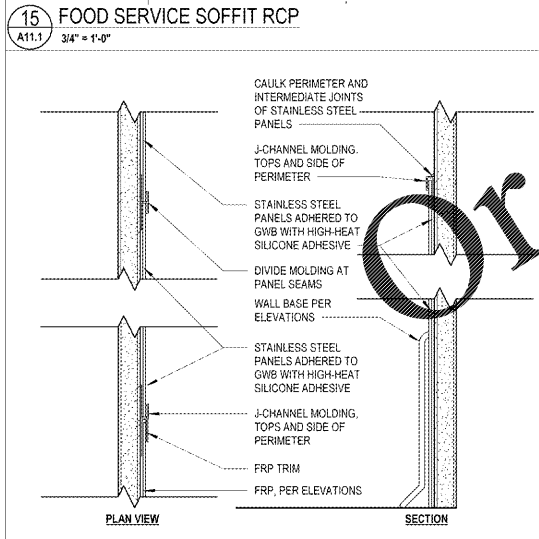
15 FOOD SERVICE SOFFIT RCP
A11.1 3/4" = 1'-0"



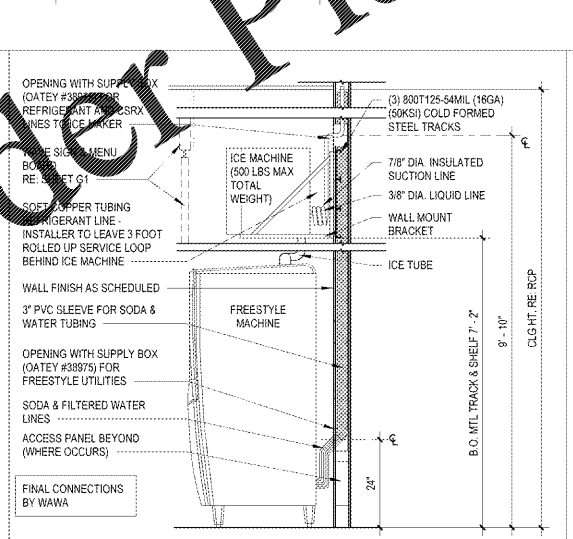
17 LOGO SIGN MOUNTING DETAIL
A11.1 1/2" = 1'-0"



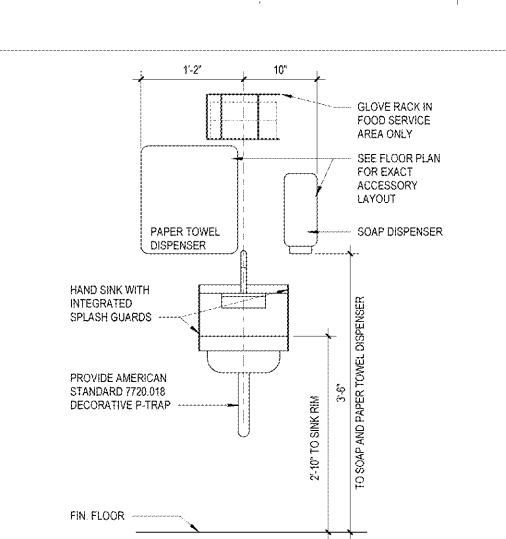
11 CHECKOUT CLOUD DETAIL
A11.1 3/4" = 1'-0"



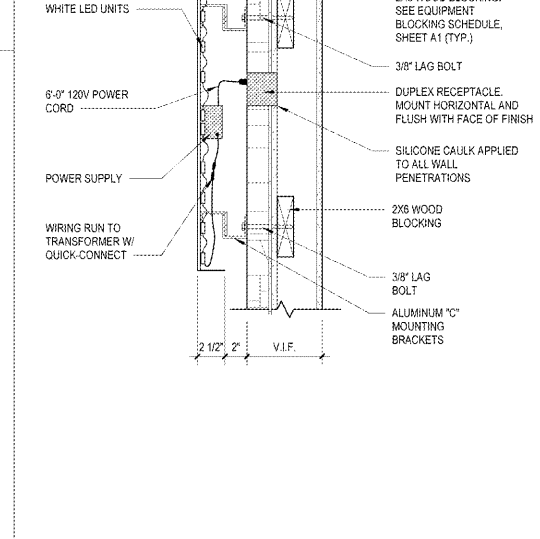
20 STAINLESS STEEL WALL PANEL DETAIL
A11.1 6" = 1'-0"



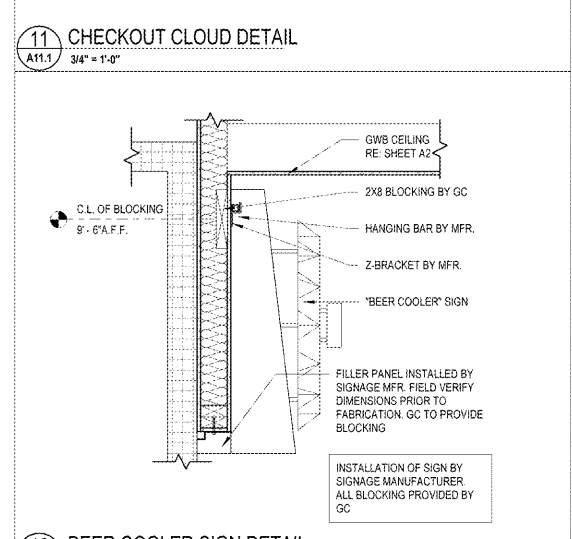
19 SECTION @ DRINK MACHINE
A11.1 1/2" = 1'-0"



18 HANDWASH SINK DETAIL
A11.1 1" = 1'-0"



16 BEER COOLER SIGN DETAIL
A11.1 1" = 1'-0"



16 BEER COOLER SIGN DETAIL
A11.1 1" = 1'-0"

Order Plans @

1925 Prospect Ave.
Orlando, FL 32814
P (407) 661-9100
F (407) 661-9101
www.c-p.com

Chiaci & Peterson
Architects Engineers Planners

CLIENT NAME
WAWA
280 W. BALTIMORE PIKE
WAWA, PA 19063

PROJECT NAME
WS05FB-VA 2018.01-MA
STORE #6658-SUD
10081 DAVIDSON PLACE
MANASSAS, VA 01109

REVISION SCHEDULE

No.	Description	Date
1	PERMIT SET	01/04/2019
2	PERMIT COMMENTS	03/15/2019
3	BID SET	08/27/2019

PROJECT NO.
217054

DATE
01/04/2019

DRAWN
Author

CHECKED
Checker

A11.1