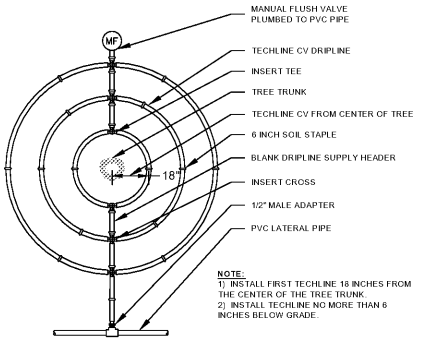
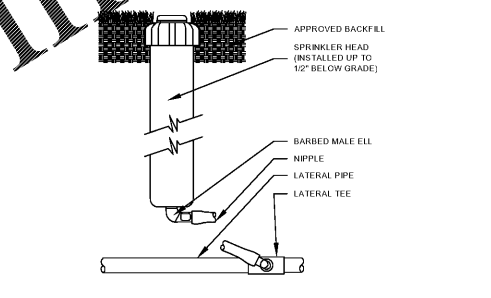
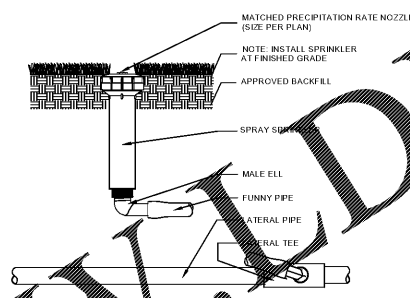
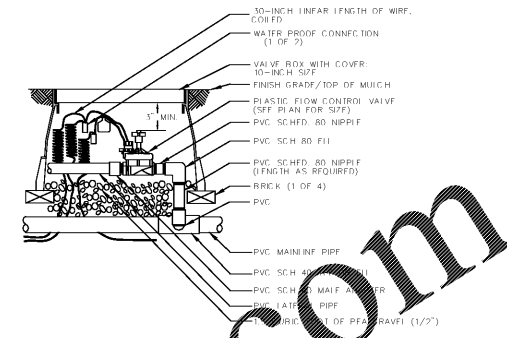
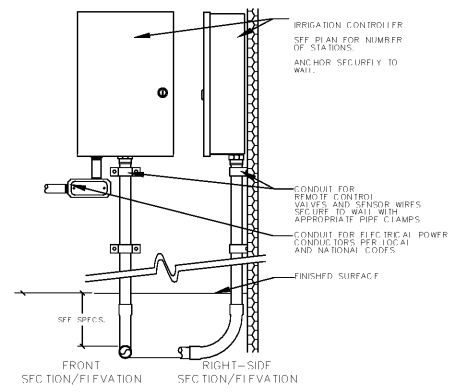


### IRRIGATION LEGEND

	RAINBIRD ESP-LXME 16 STATION CONTROLLER
	RAINBIRD 1" PGA ELECTRIC VALVE FOR FLOWS UP TO 20 GPM
	LINE SIZED ISOLATION VALVE
	RAINBIRD 1804 SPRAY HEAD W/ 10', 12' & 15' PRECISION NOZZLES
	RAINBIRD 1804 SPRAY HEAD W/ SST PRECISION NOZZLES
	RAINBIRD 1812 SPRAY HEAD W/ SST PRECISION NOZZLES
	RAINBIRD 1812 SPRAY HEAD W/ 10', 12' & 15' PRECISION NOZZLES
	1.5" PVC CLASS 200 MAINLINE
	1" PVC CLASS 200 LATERALS
	1.5" PVC CLASS 200 LATERALS
	ONE 3" PVC SCHEDULE 40 SLEEVE
	ONE 3" AND ONE 2" PVC SCHEDULE 40 SLEEVES
	NETAFIM CV TECHLINE W/ 12" SPACING OF .6 GPH EMITTERS



- #### IRRIGATION NOTES
- CONTRACTOR WILL COORDINATE INSTALLATION OF IRRIGATION WITH OTHER TRADES.
  - NO CHANGES WILL BE PERMITTED TO IRRIGATION PLAN WITHOUT IRRIGATION DESIGNER'S PRIOR APPROVAL.
  - IRRIGATION CONTRACTOR RESPONSIBLE FOR POWER CONNECTION TO THE CONTROLLER. POWER TO BREAKER BY OTHERS.
  - ALL IRRIGATION CONTROL WIRE TO BE 14/1 RED. ALL COMMON WIRE TO BE 14/1 WHITE. RUN FIVE EXTRA 14/1 BLUE WIRES FROM CONTROLLER ALONG MAINLINE FOR FUTURE EXPANSION.
  - ALL WIRE TO HAVE EXPANSION COILS EVERY 100'. ALL WIRE TO BE NUMBERED IN CONTROLLER, AT VALVE, AND IN ALL SPLICE BOXES WITH WRAP-A-ROUND NUMBERS.
  - ALL UNDERGROUND WIRE SPLICES TO BE 3M DBY/DBR'S IN 10" PLASTIC BOXES. ANY OTHER CONNECTORS WILL BE REJECTED.
  - ALL VALVES TO BE HOUSED IN 10" PLASTIC VALVE BOXES OR MANIFOLDED IN LARGER BOXES TO SIZE REQUIRED.
  - ALL VALVES TO BE INSTALLED IN MULCH AREAS WITH BROWN TOP BOXES WHEN POSSIBLE.
  - IRRIGATION CONTRACTOR TO INSTALL HEADS 2' OFF OF CURB WHERE DELIVERY TRUCKS MAY DRIVE OVER CURB AND NEAR PARKING SPACES.
  - CONTRACTOR WILL PROVIDE AN AS-BUILT DRAWING AND LAMINATED 11" X 17" CONTROLLER CHART LABELED BY ZONE AS PART OF CONTRACT. DRAWING TO SHOW ZONES IN COLOR AND BACKGROUND TO BE SHADED.
  - WATER PRESSURE MUST BE 65 PSI OR THE ADDITION OF A BOOSTER PUMP MAY BE REQUIRED.
  - INCLUDE RAINBIRD WIRELESS RAIN SENSOR ATTACHED TO ROOF TOP AND CONTROLLER.
  - IF BEDLINES BETWEEN TURF AND SHRUBS CHANGE, IT IS THE CONTRACTOR'S RESPONSIBILITY TO MAKE CHANGES TO PROPERLY SEPARATE THE TURF AND SHRUB AREAS.

- #### BOOSTER PUMP NOTES (IF NEEDED):
- INCLUDE A STA-RITE JHD 3/4" 230 VOLT BOOSTER PUMP IF PRESSURE IS INADEQUATE. SEEK WAWA APPROVAL BEFORE INSTALL.
  - INCLUDE A PUMP START RELAY WITH WIRE CONNECTED TO THE IRRIGATION CONTROLLER PUMP START OUTPUT.
  - INSTALL 12" COPPER OR GALVANIZED PIPE TO THE INLET AND OUTLET OF THE BOOSTER PUMP TO DISSIPATE HEAT.
  - USE ALL SCHEDULE 40 PVC ABOVE GROUND FOR PIPING.
  - BOOSTER PUMP SHALL BE PROPERLY ANCHORED SO THAT THE PUMP DOES NOT MOVE OR VIBRATE.
  - INSURE THAT THE DRIP ZONES IN THE CONTROLLER DO NOT ACTIVATE THE BOOSTER PUMP. ONLY ACTIVATE THE BOOSTER PUMP ON ZONES ABOVE 5 GPM.
  - FOLLOW MANUFACTURERS INSTALLATION INSTRUCTIONS AND RECOMMENDATIONS FOR PUMP INSTALLATION.

**WAWA STORE**  
SUDLEY ROAD & DAVIDSON PLACE  
PRINCE WILLIAM COUNTY, VA  
IRRIGATION DRAWING  
OVERALL PLAN

#### REVISIONS:

#	DATE	DESCRIPTION

DATE: 06/19/19  
DRAWN BY: KR  
CHECKED BY: BR  
SCALE: 1"=20'

SHEET: 1 OF 1  
**IR1.0**

CONSTRUCTION DOCUMENTS

