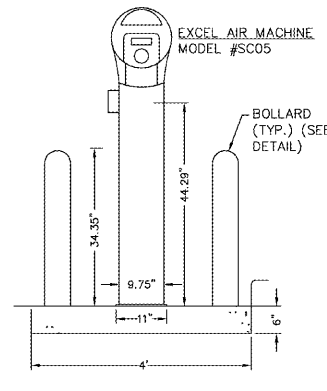
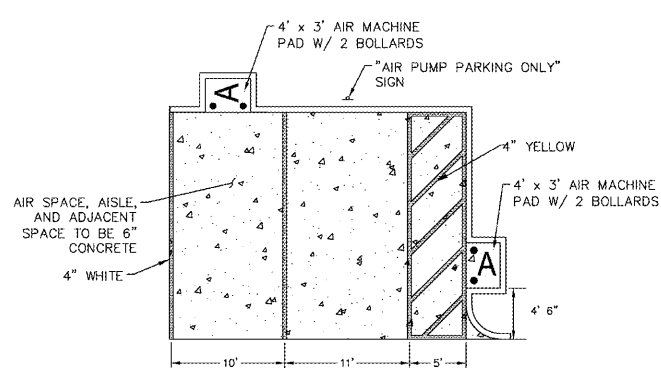


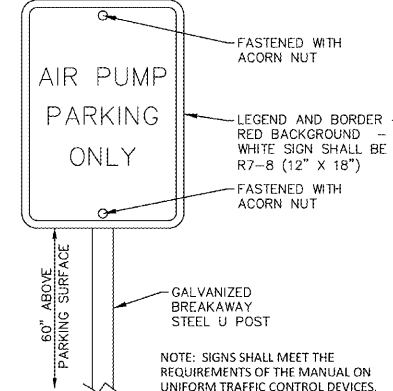
1 AIR PUMP SIDE ELEVATION
Scale: NTS



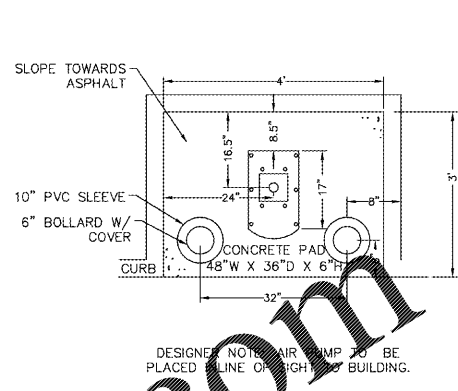
2 AIR PUMP FRONT ELEVATION
Scale: NTS



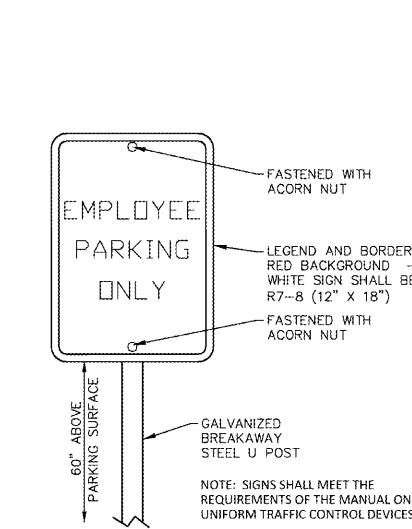
3 AIR PUMP PARKING DETAIL
Scale: NTS



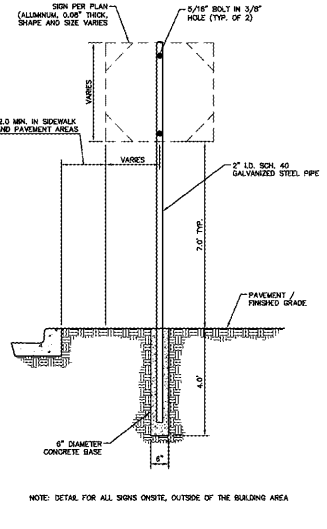
4 AIR PUMP PARKING SIGN
Scale: NTS



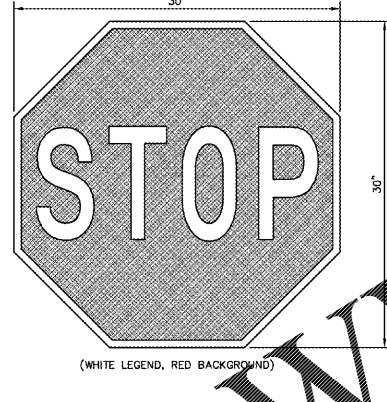
5 AIR PUMP PLAN VIEW
Scale: NTS



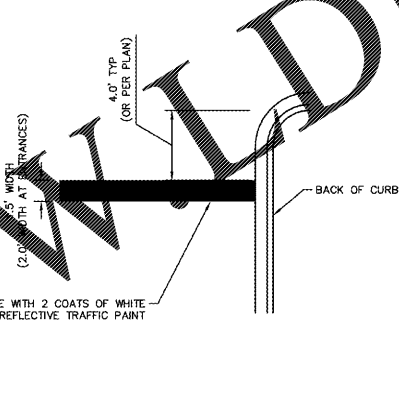
6 EMPLOYEE PARKING SIGN
Scale: NTS



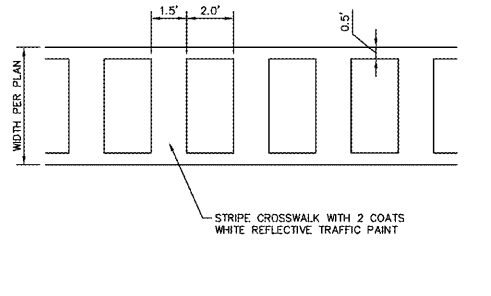
7 SIGN POST DETAIL
Scale: NTS



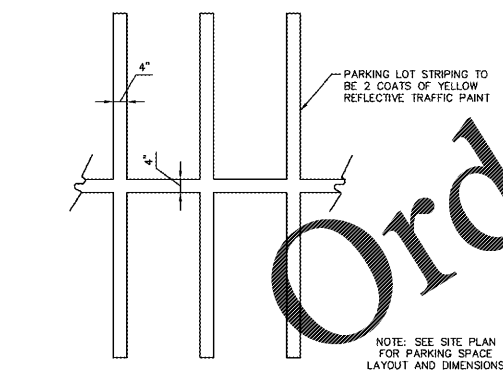
8 STOP SIGN (R-1)
Scale: NTS



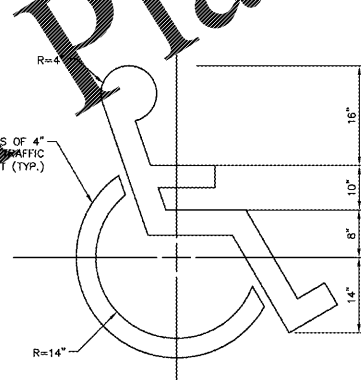
9 STOP BAR DETAIL
Scale: NTS



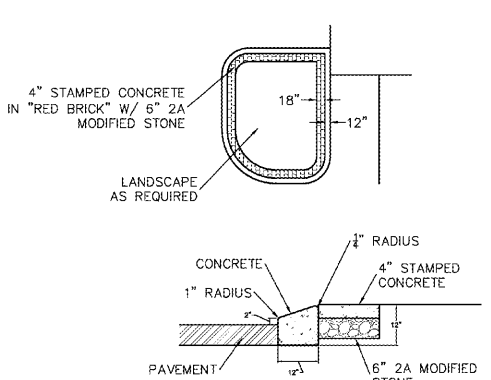
10 CROSSWALK STRIPING DETAIL
Scale: NTS



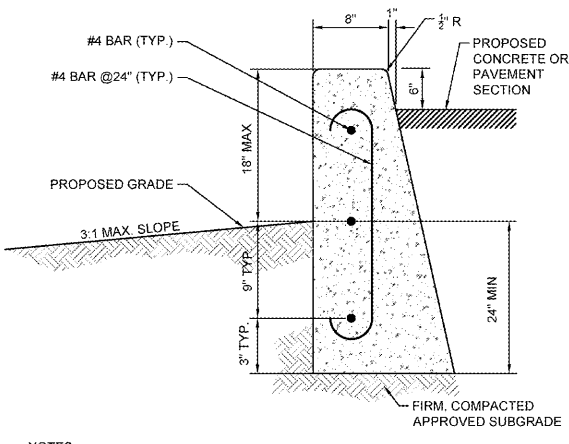
11 PARKING SPACE STRIPING
Scale: NTS



12 ADA PARKING SYMBOL
Scale: NTS



13 MOUNTABLE CURB/ISLAND & STAMPED CONCRETE
Scale: NTS

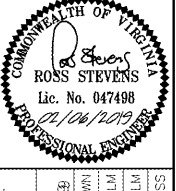


NOTES:
1. CONCRETE SHALL HAVE A MINIMUM COMPRESSIVE STRENGTH OF 4000 PSI AT 28 DAYS WITH A MINIMUM CEMENT CONTENT OF 600 LBS/YD³.
2. CONTRACTION JOINTS CONSISTING OF 1" DEEP SCORES SHALL BE PLACED AT 15' INTERVALS O.C.

14 CONCRETE CURB WALL
Scale: NTS

NO.	REVISIONS	DATE	BY
1	PWC COMMENTS - 1ST ROUND	09/10/2018/CAH	
2	PWC COMMENTS - 2ND ROUND	11/02/2018/CAH	
3	PWC COMMENTS - SIGNATURE SET	02/06/2019/CAH	
4	UTILITY REVISIONS	07/25/2019/CAH	

Kimley»Horn
© 2018 KIMLEY-HORN AND ASSOCIATES, INC.
11400 COMMERCE PARK DR., SUITE 400, RESTON, VA 20191
PHONE: 703-674-1300 FAX: 703-674-1300
WWW.KIMLEY-HORN.COM



KHA PROJECT	DATE	SCALE	DESIGNED BY	DRAWN BY	CHECKED BY
110499001	03/05/2019	AS SHOWN	JLM	JLM	RSS

SITE PLAN DETAILS

WAWA - SUDLEY ROAD
PREPARED FOR
FRONTIER DEVELOPMENT
PRINCE WILLIAM COUNTY, VA