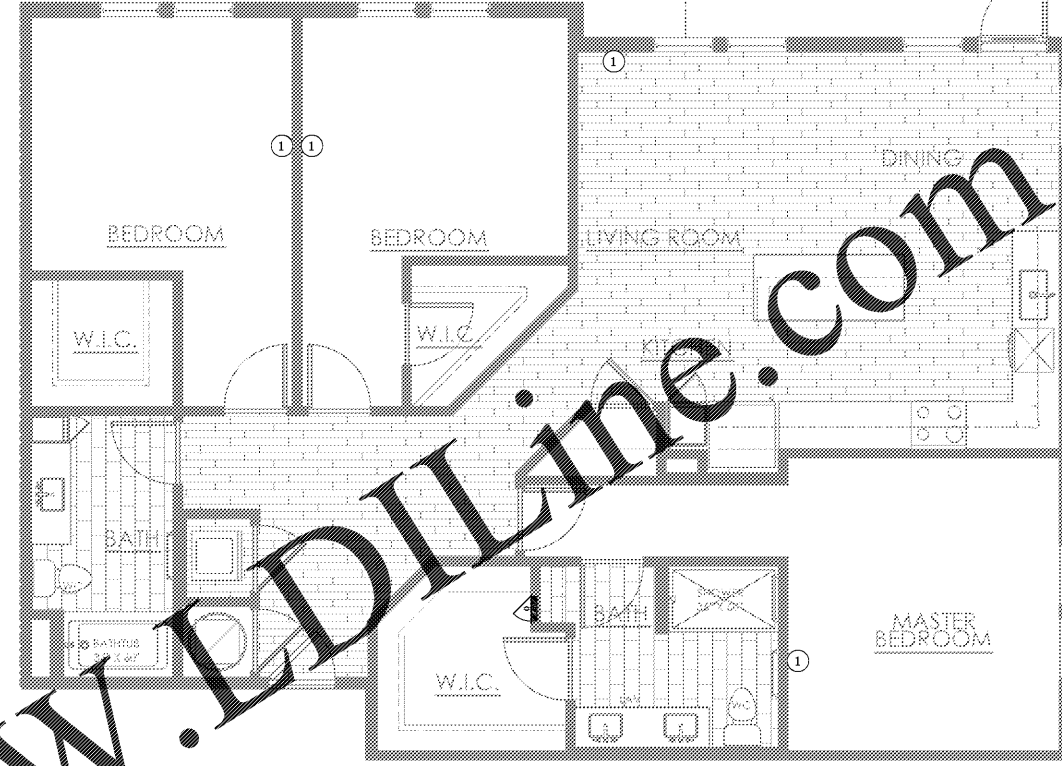
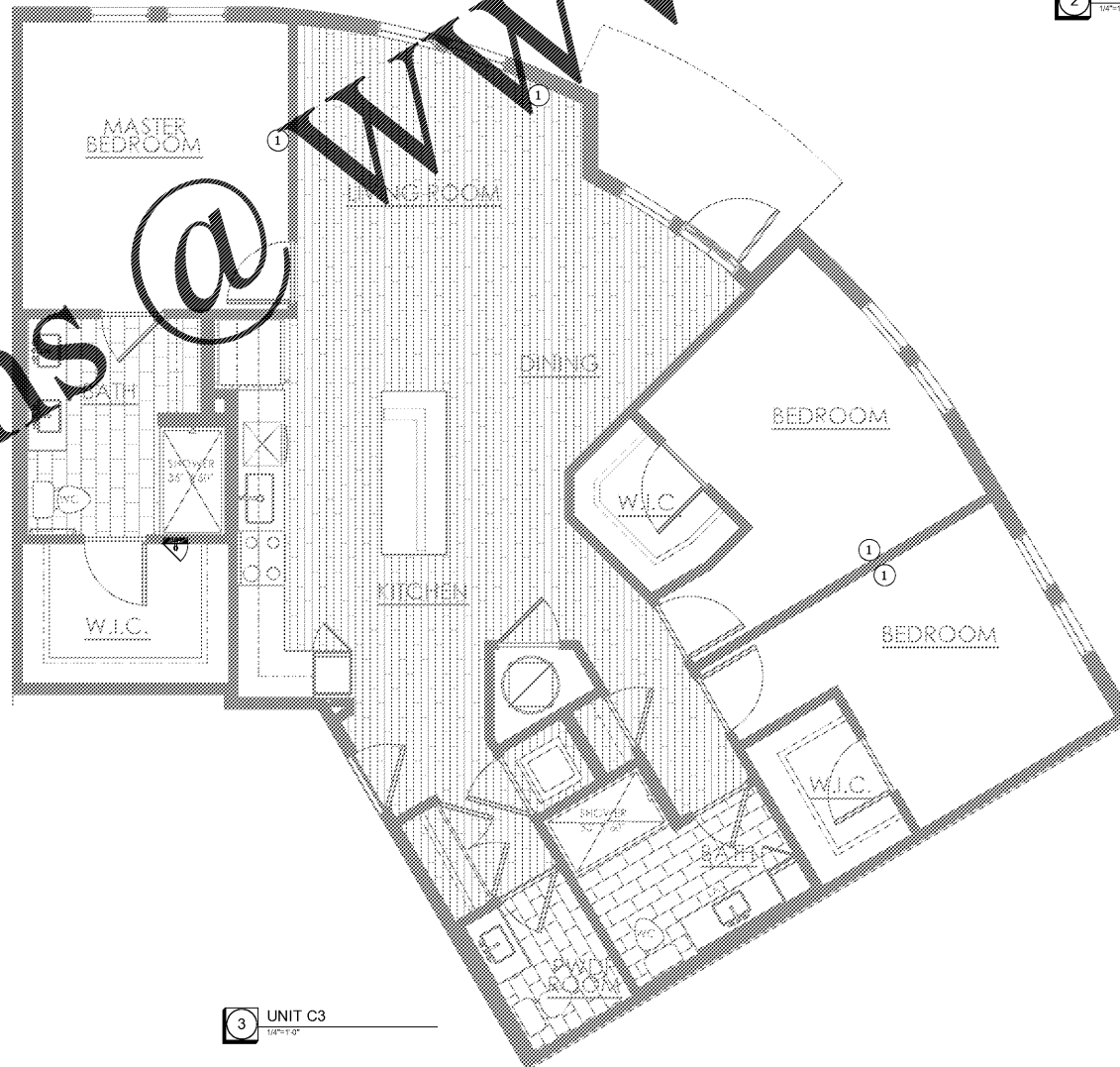


1 UNIT C1
1000 SF

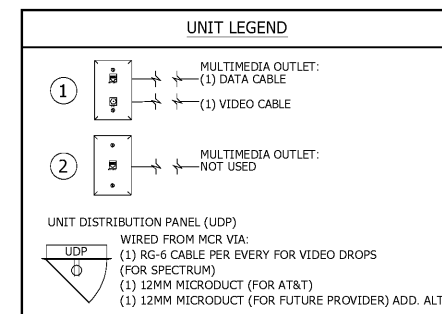


2 UNIT C2
1000 SF



3 UNIT C3
1000 SF

Order Plans @ www.ediline.com



INFINISYS
MULTIFAMILY TECHNOLOGY™
 1825 Business Park Blvd. Suite 6
 Daytona Beach, FL 32114 USA
 386.231-1500
 E-Mail: info@infisys.com
 NOTICE: This drawing is the property of INFINISYS. All information that is not generally known shall be confidential except to the extent the information has been previously established. This drawing may not be reproduced, copied, or used as the basis for manufacture or sale without written permission. This design uses architectural CAD drawings provided by charlanbrock associates for this project and are used with their permission.
 Copyright 2019 Infisys. All rights reserved.

Lyric at Norton Commons
 Prospect, Kentucky
 Bristol Development Group
 881 McIlroy Station Rd, Suite 204
 Franklin, TN 37067

c b a
charlan • brock
associates
 architects • planners
 1770 fernell street
 mallard florida 32751-7208
 407.660.8900 | f:407.875.9948
 www.cbaarchitects.com

LOW VOLTAGE
 UNIT PLANS

date: 01-11-2019
 job no: 3789.15
 drawn by: G. URIENSKI
 reviewed by: T. STENDER
 issue history:
 Δ Date

SCHMATIC SET

T-110