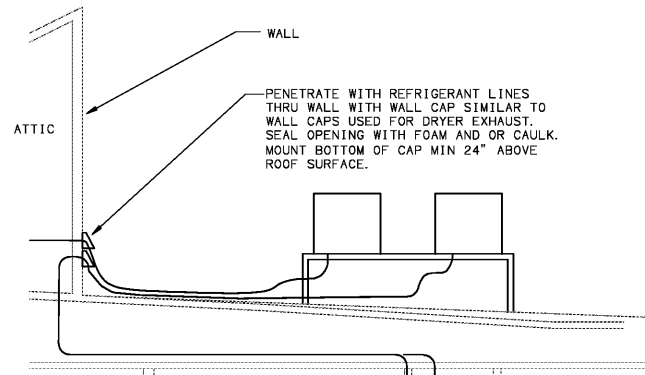
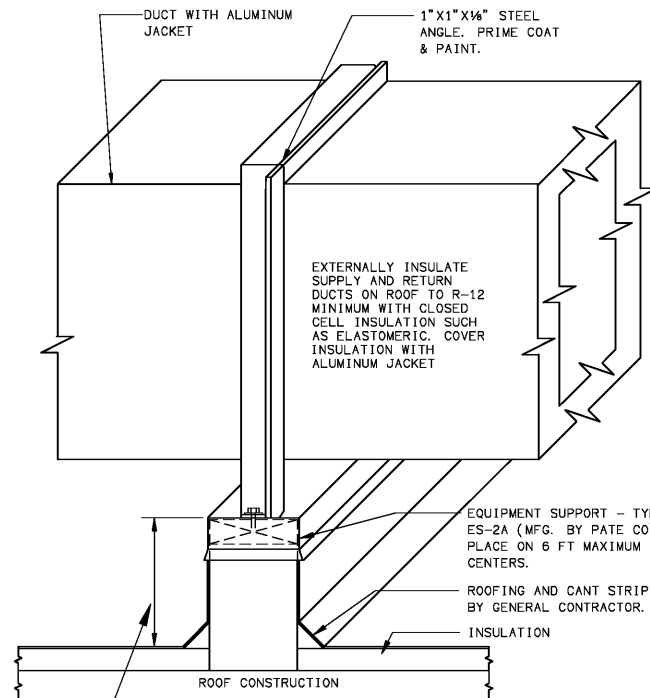


COAT SUCTION LINE INSULATION EXPOSED AT THE ROOF WITH UV SEALANT RECOMMENDED BY THE INSULATION MANUFACTURER, OR WITH FLEXIBLE PVC REMOVABLE COVERS WITH VELCRO SEAM, SUCH AS EFLEXGUARD BY AIREX



PROVIDE UL THRU FIRE-STOP PENETRATION ASSEMBLY WHERE REFRIGERANT LINES PENETRATE ATTIC AND FLOOR TRUSSES. 1 HR F RATING MINIMUM. 1 HR T RATING ALSO REQUIRED IF LINES PENETRATE OUTSIDE OF THE CONFINES OF A WALL OR CAVITY, WHERE THEY ARE ACCESSIBLE TO HUMAN TOUCH.

**REFRIGERANT LINES THRU MANSARD**  
SCALE: NTS



MAINTAIN CLEARANCE AS FOLLOWS

WIDTH OF EQUIP	CLEARANCE
UP TO 24"	14"
25" TO 36"	18"
37" TO 48"	24"
49" TO 60"	30"
61" AND WIDER	48"

**ROOFTOP DUCT DETAIL**  
SCALE: NTS

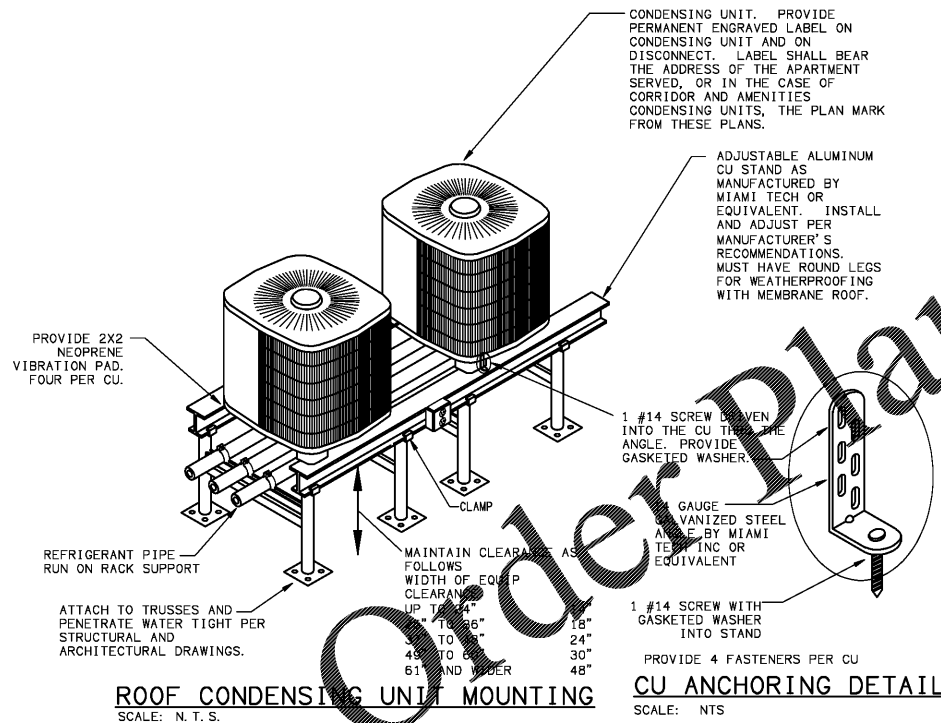
**WEATHERPROOFING NOTES FOR ROOFTOP DUCT DETAIL**

- SLOPED TOP: PROVIDE THIS WITH CROSS BRACING OR OTHER MEANS TO PREVENT POOLING. IF NEEDED, PROVIDE A WOOD SPOILER BETWEEN THE TOP OF THE DUCT AND THE SKIN TO ACHIEVE A CONVEX SURFACE.
  - CURB CONNECTION: FLASH THE SKIN OVER THE CURB SO WATER DOES NOT LEAK INTO THE CURB.
  - CONNECTION AT R/U: PROVIDE FLANGED SKIN WITH SEALANT.
- SEALANT: ANY OF A NUMBER OF PRODUCTS CONSISTING OF A MASTIC SEALANT AND FABRIC ARE ACCEPTABLE. THEY MUST BE MARKETED SPECIFICALLY AS FORMING AN AIR AND WATERTIGHT SEAL, BONDING WELL TO THE METAL INVOLVED, REMAINING WATERTIGHT WITH METAL MOVEMENT, AND HAVING A SERVICE TEMPERATURE RANGE OF 0°F TO 175°F. ALSO COMPLY WITH 15290.

COMMON AREA AIR DEVICES							
	MANUFACTURER MODEL #	DESCRIPTION	OBD	MOUNTING	COLOR	MATERIAL	REMARKS
SD	METALAIRE V1	REGISTER WITH ROLL FORMED ADJUSTABLE VERTICAL BLADES	Y	WALL	SEE NOTE 6	ALUMINUM	1, 3, 4, 5, 6
SD	METALAIRE VH1	REGISTER WITH ROLL FORMED ADJUSTABLE VERTICAL AND HORIZONTAL BLADES	Y	WALL	SEE NOTE 6	ALUMINUM	1, 3, 4, 5, 6
SD	ACCUTHERM TF-HC	THERMAL POWERED VAV DIFFUSER W/ HEAT/COOL REVERSING LOGIC	Y	CEILING	SEE NOTE 6	ALUMINUM	1, 2, 4, 6
SD	METALAIRE 5500-2	FIXED LOUVER DIFFUSER V-BEVELED DROP	Y	SURFACE CEILING	SEE NOTE 6	ALUMINUM	1, 2, 3, 4, 6
SD	METALAIRE PHP	LINEAR DIFFUSER WITH PLENUM & ADJUST PATTERN CONTROLLERS	Y	CEILING	SEE NOTE 6	ALUMINUM	1, 4, 6, 9
SD	US AIRE 200 SERIES	STAMPED FACE CURVED BLADE	Y	HARD CEILING	SEE NOTE 6	STEEL	1, 2, 3, 4
SD	US AIRE L SERIES	ADJUSTABLE CURVED BLADE	Y	HARD CEILING	SEE NOTE 6	STEEL	1, 2, 3, 4
RD	METALAIRE RHD	LOUVERED RETURN 45° BLADE ANGLE	Y	SURFACE CEILING	SEE NOTE 6	STEEL OR ALUMINUM	1, 3, 4, 5, 6
TD	METALAIRE RH	LOUVERED TRANSFER	N	SURFACE CEILING OR WALL	SEE NOTE 6	STEEL OR ALUMINUM	1, 3, 4, 5, 6
LD	CONSTR SPECIALTIES DCV-5704	5" DEEP CHANNEL FRAME V BLADE HURRICANE LOUVER	N	EXTERNAL WALL	SEE NOTE 6	ALUMINUM	1, 4, 5, 7, 8, 10

1. SEE HVAC PLANS FOR NECK SIZES AND ANGLES.  
2. 4-WAY UNLESS NOTED OTHERWISE OR PLANNED BY ARCHITECT.  
3. MAXIMUM PRESSURE DROP OF .06 IN. WC.  
4. TRANSITION ROUND FLEXIBLE OR REINFORCED RIGID DUCTWORK TO DIFFUSERS AS REQUIRED.  
5. HORIZONTAL DIMENSIONS GIVEN FIRST.  
6. CONSULT ARCHITECT FOR REQUIRED COLOR.  
7. PROVIDE WITH FINISH COLOR CHOSEN BY ARCHITECT.  
8. PROVIDE BIRD SCREEN.  
9. PROVIDE WITH PLENUM AND DUCT CONNECTION.

PROVIDE AIR DEVICES WHICH ARE MOUNTED WITH FIRE DAMPERS OR FIRE/SMOKE DAMPERS AS STEEL, NOT ALUMINUM.  
EQUIVALENT PRODUCTS FROM OTHER MANUFACTURERS WILL BE REVIEWED.

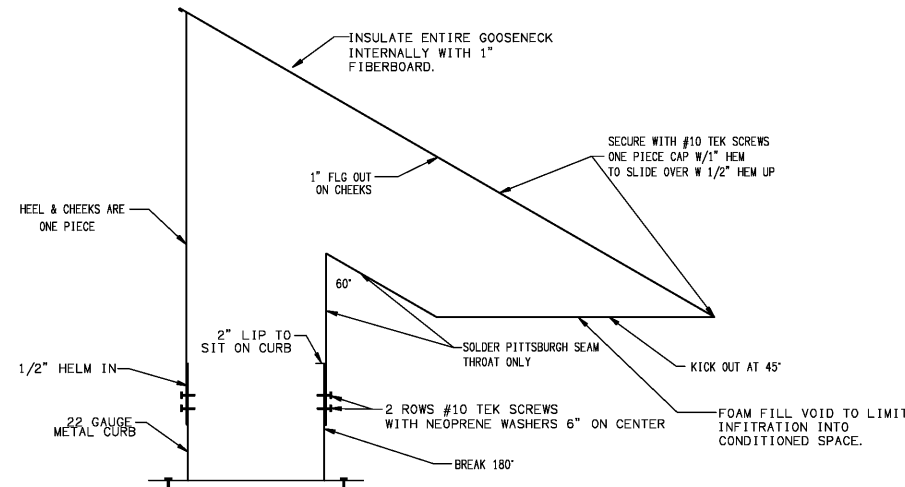


**ROOF CONDENSING UNIT MOUNTING**  
SCALE: N. T. S.

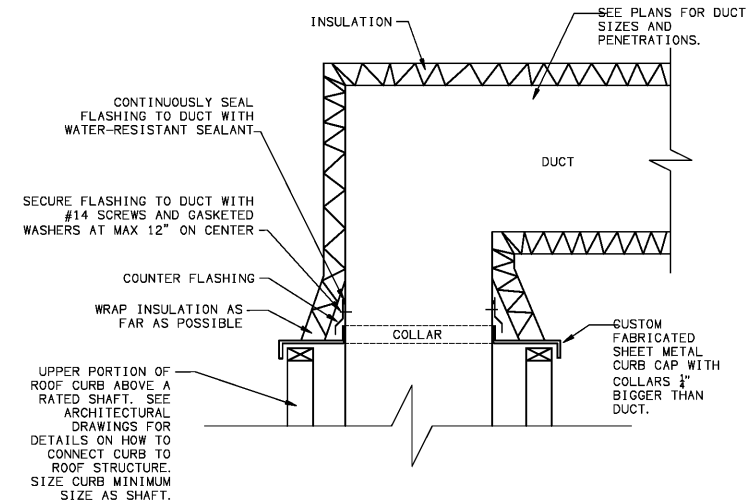
**CU ANCHORING DETAIL**  
SCALE: NTS

PROVIDE PREMANUFACTURED STANDS FOR CONDENSING UNITS AS FOLLOWS:

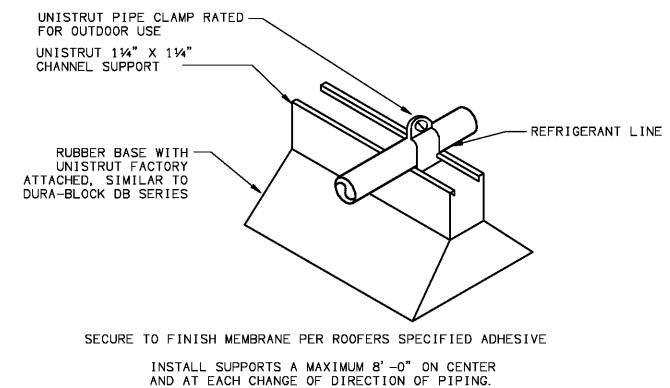
- STANDS SHALL BE ENGINEERED FOR THE SPECIFIC CONDENSING UNITS ON THIS PROJECT.
- STAND ATTACHMENT TO ROOF SHALL BE SUITABLE FOR ATTACHMENT TO WOOD TRUSSES. INCLUDE WATER PROOFING RECOMMENDATIONS IN SHOP DRAWINGS.
- STANDS SHALL INCORPORATE RESTRAINED SPRING VIBRATION ISOLATORS WITH MIN 1.5" DEFLECTION. ISOLATOR BODIES AND HARDWARE SHALL BE ALUMINUM OR FACTORY PAINTED. SHOP DRAWINGS SHALL INDICATE SPRING MODEL NUMBERS WHICH ARE SIZED FOR THE ANTICIPATED WEIGHT OF THE CONDENSING UNITS ON EACH STAND. THOUGH THE RESIDENTIAL CONDENSING UNITS WILL BE A UNIFORM SIZE AND WEIGHT, THE CONDENSING UNITS FOR THE COMMERCIAL AREAS WILL VARY. STANDS FOR COMMERCIAL AREA CONDENSING UNITS WILL HAVE DIFFERENT SPRINGS WHICH WILL NEED TO BE REFLECTED IN THE SHOP DRAWINGS.
- STANDS SHALL BE MADE OF 6061-T6 ALUMINUM ALLOY AND CONSTRUCTED IN ACCORD WITH THE ALUMINUM ASSOCIATION SPECIFICATIONS FOR ALUMINUM STRUCTURES.
- SUBMIT ROOF PLANS SHOWING POSITIONS OF THE STANDS.



**REFRIGERANT LINES THRU ROOF DETAIL**  
SCALE: NTS



**DUCT THRU ROOF**  
SCALE: NTS



**ROOF PIPING SUPPORT**  
SCALE: N. T. S.

Common North, Prospect, KY



**MiGre**  
Engineers LLC

780 FLORIDA CENTRAL PARKWAY  
SUITE 224  
LONGWOOD, FL 32750  
PH: 407.336.7999  
PROJECT #: 18025

Lyric at Norton Commons  
Prospect, Kentucky

Bristol Development Group  
381 Maloney Station Rd, Suite 204  
Franklin, TN 37067

**charlan brock**  
associates  
architects • planners

1770 fennell street  
maitland florida 32751-7208  
407.660.8900 • 407.875.9948  
www.cbaarchitects.com

HVAC  
SCHEDULES  
AND DETAILS

date: 06-04-2019  
job no: 3789.15  
drawn by: GNIK  
reviewed by: GNIK  
file: 18025-H-SCHEDULES  
issue history:

H6.11

charlan brock associates, inc. hereby certifies that the information contained herein is true and correct to the best of our knowledge and belief. This information is provided for your information only and does not constitute a contract. The information is provided for your information only and does not constitute a contract. The information is provided for your information only and does not constitute a contract.