

FIG. A

**FIG. A
SUGGESTED SIZE FOR
SUPPORT OF 12' OF DUCT**

DUCT SIZE	ANGLE
36" X 18"	1 1/2" X 1 1/2" X 1/8"
48" X 24"	1 1/2" X 1 1/2" X 1/8"
60" X 30"	1 1/2" X 1 1/2" X 3/16"
60" X 60"	1 1/2" X 1 1/2" X 1/4" OR 2" X 2" X 1/8"

OVER 60" - INCREASE ANGLE SIZE AS REQUIRED FOR SPACE AND DUCT SIZE

**MINIMUM NUMBER OF
FASTENERS ON EACH
SUPPORT ASSEMBLY
(DUCT TO ANGLE)**

LARGEST DUCT SIZE	MINIMUM NUMBER OF FASTENERS
OVER 24"	4
17" - 24"	6
16" AND DOWN	LARGEST DUCT DIMENSION DIVIDE BY 4

LOCATE FASTENER WITHIN 2" OF THE DUCT EDGES. LOCATE OTHERS AT EVENLY SPACED INTERVALS.

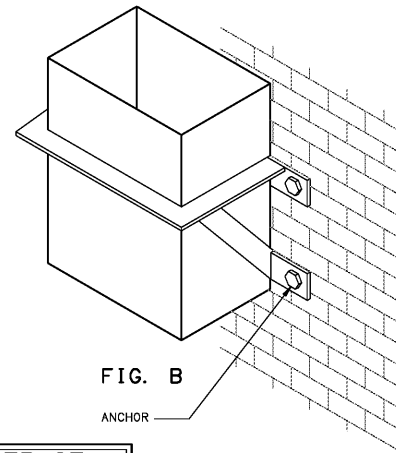
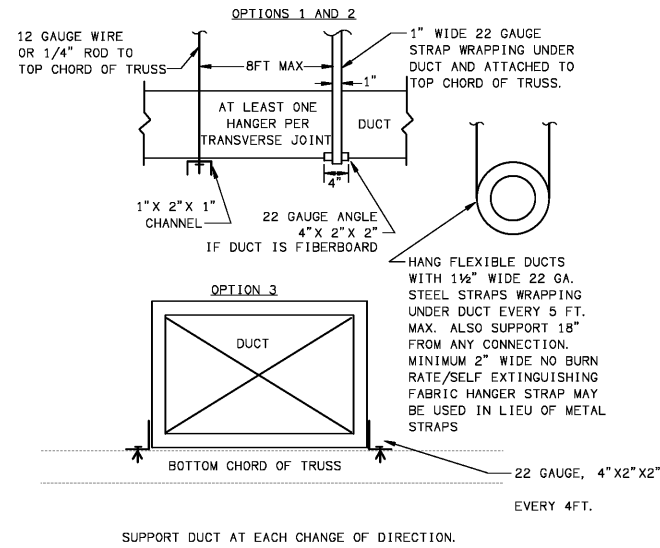


FIG. B

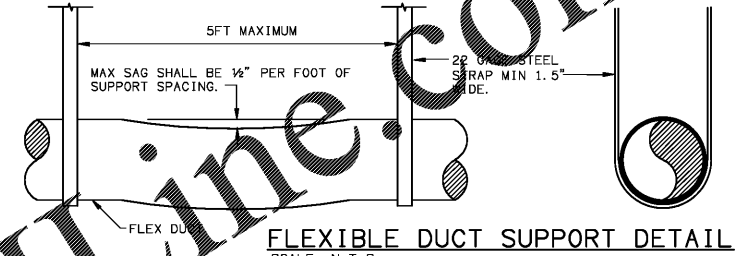
**FIG. B
SUGGESTED SIZE FOR
SUPPORT OF 12' OF DUCT**

DUCT SIZE	ANGLE
30" X 12"	1" X 1" X 1/8"
36" X 18"	1" X 1" X 1/8"
42" X 24"	1 1/4" X 1 1/4" X 1/8"
48" X 30"	1 1/4" X 1 1/4" X 1/8"

VERTICAL DUCT SUPPORT DETAIL
SCALE: NTS

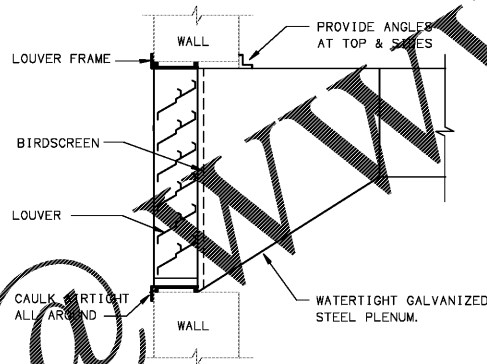


DUCT SUPPORT
SCALE: NTS

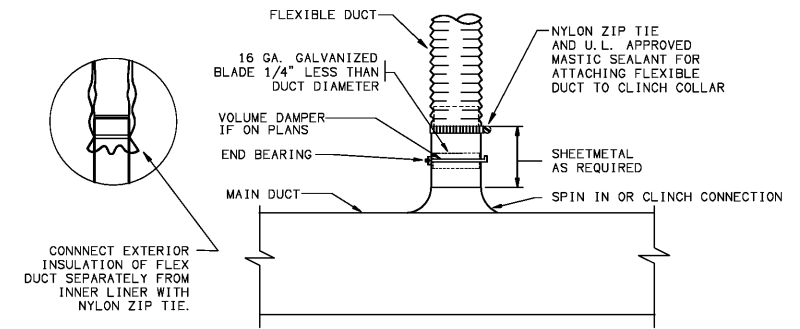


FLEXIBLE DUCT SUPPORT DETAIL
SCALE: N. T. S.

- NOTE:
1. USE FLEXIBLE DUCT IN CONCEALED AREAS ONLY.
 2. SUPPORT SYSTEM SHALL NOT DAMAGE DUCT OR CAUSE OUT OF ROUND SHAPE.
 3. 2" WIDE FIRE RESISTANT VINYL STRAPS MAY BE SUBSTITUTED FOR STEEL.



LOUVER MOUNTING
SCALE: NTS



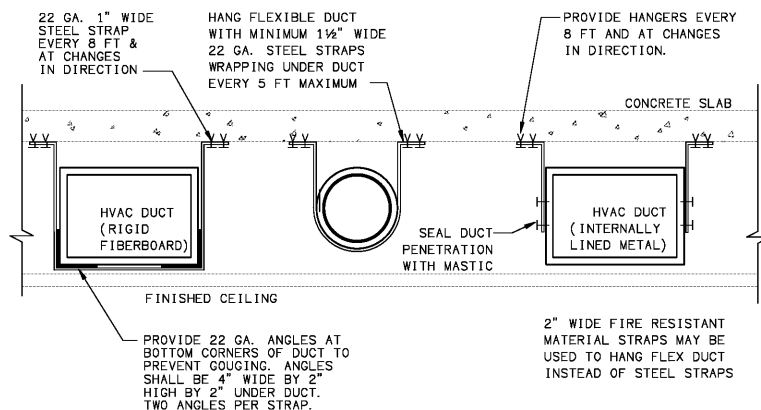
FLEXIBLE BRANCH DUCT CONNECTION TO MAIN
SCALE: NTS

TRANSVERSE REINFORCEMENT (1)

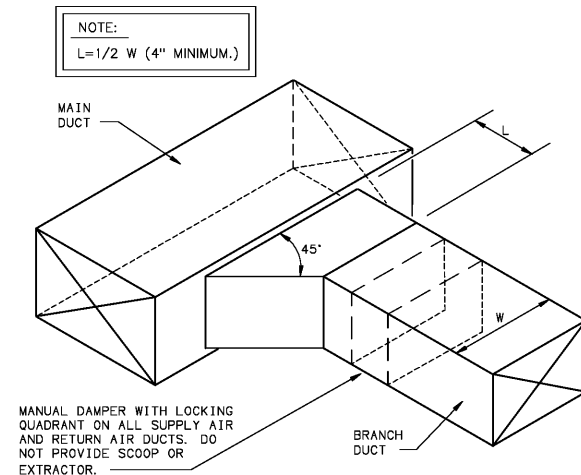
DIMENSION OF LONGEST SIDE, INCHES	SHEET METAL GAGE (ALL FOUR SIDES)	MINIMUM REINFORCING ANGLE SIZE AND MAXIMUM LONGITUDINAL SPACING BETWEEN TRANSVERSE JOINTS & INTERMEDIATE REINFORCING	REINFORCEMENT TYPES				
			DRIVE SLIP	PLAIN S SLIP	HEMME S SLIP	ALTER' NT BAR SLIP	
10 - 12	26	REQUIRED	1	26	26	24	24
13 - 18	24	NONE REQUIRED	1	24	24	24	24
19 - 24	24	1" X 1" X 1/8" AT 60 IN	1	-	24	24	24
31 - 42	22	1" X 1" X 1/8" AT 60 IN	1	-	-	22	22
43 - 54	22						
55 - 60	20						
61 - 84	20	SEE SMACNA FOR DUCT JOINTS IN THESE SIZES					

(1) TRANSVERSE REINFORCING SIZE IS DETERMINED BY DIMENSION OF SIDE TO WHICH ANGLE IS APPLIED.

**LOW PRESSURE
DUCT CONSTRUCTION SCHEDULE**
SCALE: NTS



SOFFIT DUCT HANGING DETAIL
SCALE: N. T. S.



RECTANGULAR BRANCH DUCT CONNECTION TO MAIN
SCALE: NTS

All drawings are the property of the architect and shall remain the property of the architect. No part of these drawings shall be reproduced, stored in a retrieval system, or transmitted in any form or by any means, electronic, mechanical, photocopying, recording, or by any information storage and retrieval system, without the prior written permission of the architect.