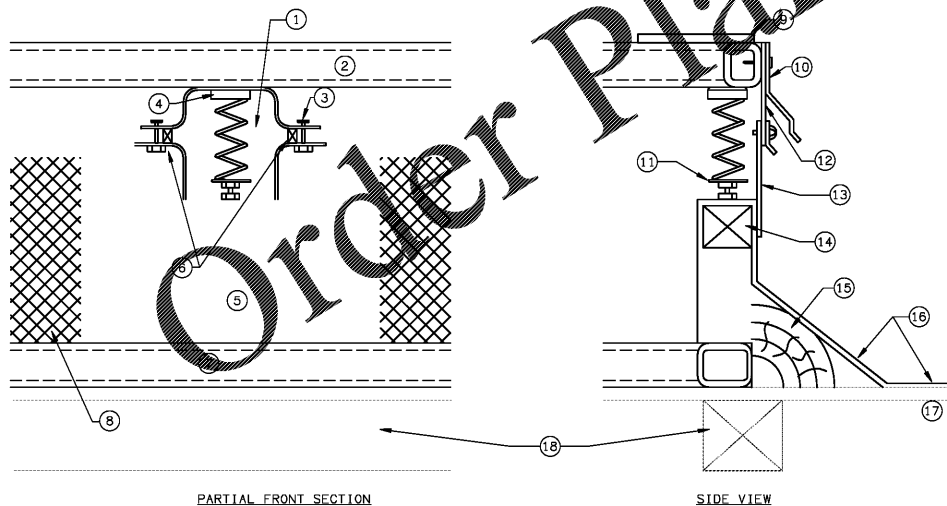
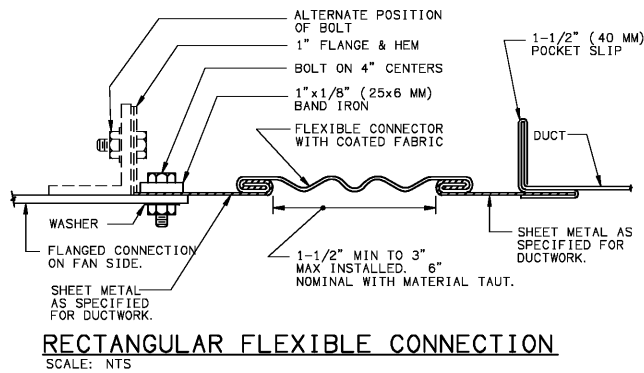
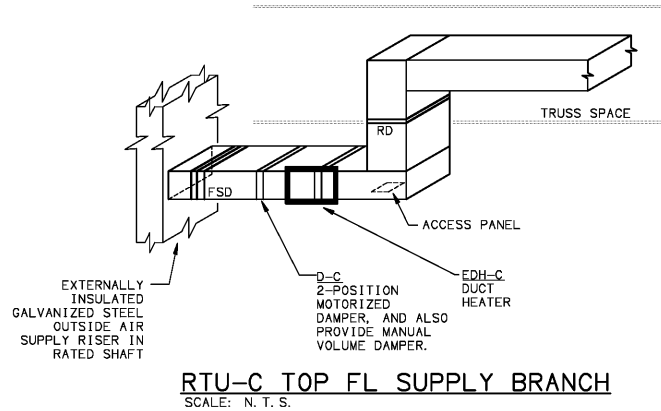
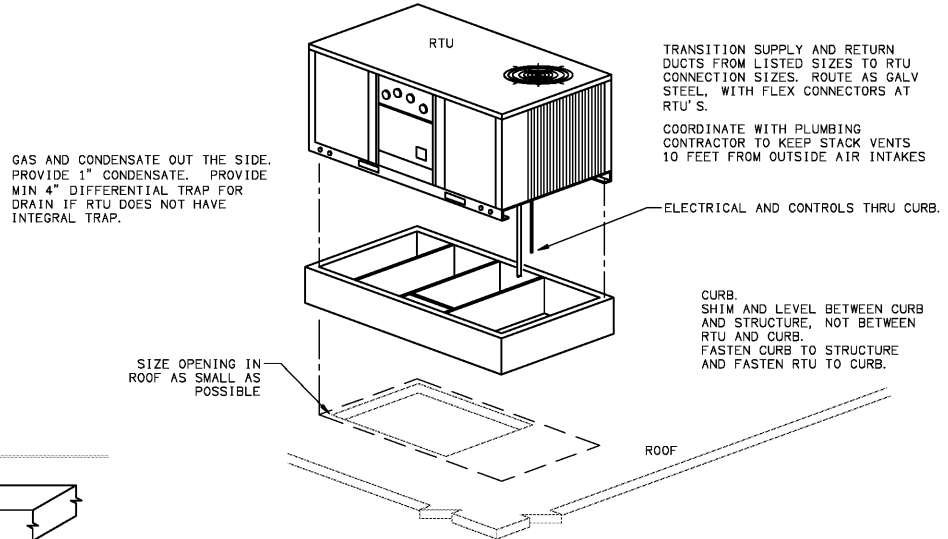


STAND ALONE DAMPER					
MARK	MODEL	SPECIFIED CONTROLS SIZE	CFM MIN-MAX	REMARKS	SERVING
D-C	D-Z1-16X12	16X12	600-1320	1 THRU 5	TOP FLOOR INTERIOR CORRIDORS
REMARKS: 1. PROVIDE WITH SPACE THERMOSTAT TO OPEN AT 75°F AND ABOVE 2. 2-POSITION WITH FIELD ADJUSTABLE MINIMUM SETTING 3. COOLING ONLY - HEAT COOL REVERSING LOGIC IS NOT DESIRED 4. 24 VOLT 5. ON A CALL FOR COOLING DAMPER SHALL FULLY OPEN. WHEN SATISFIED, IT WILL CLOSE TO MINIMUM POSITION					

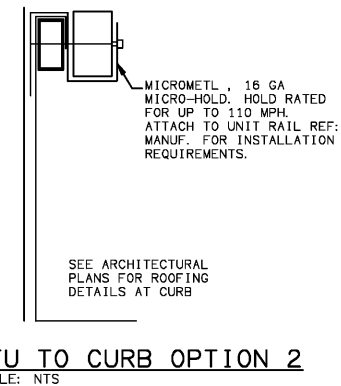
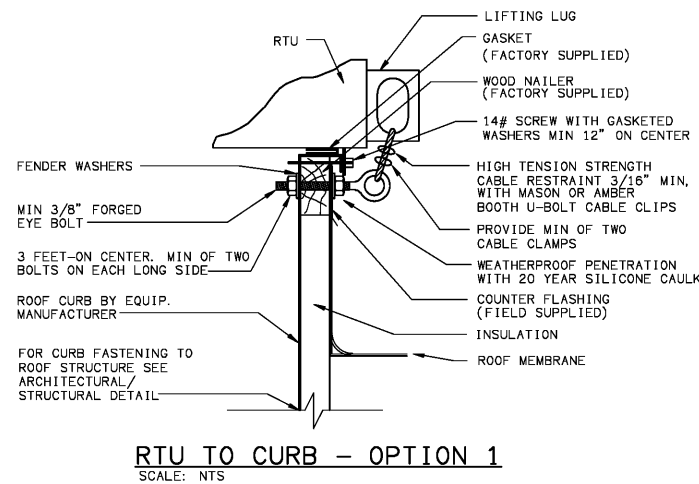


- ① 1.5" MINIMUM STATIC DEFLECTION
- ② STEEL TUBE
- ③ RESTRAINING BOLT
- ④ ACOUSTICAL NEOPRENE SPRING CUP
- ⑤ SHEET METAL
- ⑥ REMOVABLE SPACER
- ⑦ STEEL TUBE
- ⑧ RIGID CURB INSULATION (R-8)
- ⑨ CLOSED CELL NEOPRENE AIRSEAL
- ⑩ GALVANIZED FLASHING
- ⑪ STEEL CUP OR CASTING
- ⑫ CLOSED CELL NEOPRENE AIRSEAL
- ⑬ COVER PLATE
- ⑭ WOODEN PORT FRAME
- ⑮ CANT STRIP
- ⑯ ROOFING MEMBRANE
- ⑰ ROOF STRUCTURE
- ⑱ STRUCTURAL FRAMING



ELECTRIC DUCT HEATER									
MARK	MANUFACTURER TYPE & MODEL	KW	ELECTRIC		CFM	VELOCITY (FPM)	STAGES	DUCT SIZE	ACCESS
			VOLTS	PHASE					
EDH-C	INDEECO	6	208	1	600	60	1	16X12	SIDE

NOTES:
 1. COMPLETELY WIRED INTERNALLY TO AN ACCESSIBLE TERMINAL BOX AND SHALL INCLUDE FACTORY WIRING AUTO RESET LIMIT CONTROL, MANUAL RESET BACKUP LIMIT CONTROL, MAGNETIC (DISCONNECTING) CONTACTORS, POSITIVE PRESSURE AIR FLOW SWITCH, AND PRIMARY FUSED TRANSFORMER.
 2. LISTED FOR ZERO CLEARANCE AND SHALL MEET ALL NEC REQUIREMENTS.
 3. PROVIDE SLEEVING, OPEN COIL HEATING ELEMENT. PRESSURE DROP THRU HEATER SHALL NOT EXCEED 0.15" WATER GAUGE.
 4. CONTROL WITH SPACE THERMOSTAT TO ENGAGE AT 68°F AND BELOW



100% OUTSIDE AIR RTU-C		
MARK	RTU-C	
TYPE	OUTSIDE AIR	
MANUFACTURER	DAIKIN	
MODEL #	DPS018A	
NOMINAL TONS	18	
SUPPLY AIR CFM	2600	
OUTSIDE AIR CFM	2600	
EXTERNAL STATIC PRESSURE (IN. WG)	1.2	
DUCT CONNECTIONS	ROOF MOUNTED SIDE OUTLET	
L X H X W (IN)	163 x 71 x 71	
WEIGHT (LBS)	364	
COMPRESSOR TYPE / #	INVERTER SCROLL / 1	
COOL	ENTERING AIR DB/WB (°F)	94/76
	EVAP. COIL LAT (°F)	53
	SUPPLY TEMP (°F)	55
	ENTERING AIR (°F)	0
HEAT	MIN SUPPLY TEMP (°F)	70
	INPUT TON / EFFIC ARI	300/80%
MIN BRKHP / NOM HP	1.4/2	
VO / ?	208/3	
SERVES	INTERIOR CORRIDORS	
EER AT ARI, ACTUAL / MIN	11.4 / 11	
REMARKS	1 THRU 17	

- UNIT SHALL BE SPECIFICALLY MADE FOR 100% OUTSIDE AIR SERVICE
- SET CONTROLS FOR 50% SPACE RH IN COOLING MODE.
- UNIT SHALL BE FACTORY EQUIPPED WITH MODULATING HOT GAS REHEAT FOR STABLE SUPPLY TEMPERATURE CONTROL.
- BASIS OF DESIGN EMPLOYS INVERTER DRIVEN SCROLL COMPRESSORS IN LIEU OF HOT GAS BYPASS.
- STAINLESS STEEL GAS FURNACE CONSTRUCTION, 5:1 TURNDOWN OR BETTER
- STAINLESS STEEL DRAIN PAN.
- SUPPLY SIDE SMOKE DETECTOR
- DIRECT DRIVEN FANS WITH ECM MOTORS
- ASSUME 95°F INTO COMPRESSOR WHEN DETERMINING COOLING CAPACITY.
- EXTERNAL STATIC PRESSURE EXCLUDES LOSSES DUE TO CASING, DIRT ON FILTERS, HEATING COIL, REHEAT COIL, AND WET COOLING COIL
- PROVIDE WITH MINIMUM 2" PREFILTER RACK AND 2" MERV 13 FILTER RACK.
- CABINET IS INSULATED WITH CLOSED CELL R-7 FOAM.
- SCHEDULED EQUIPMENT USES R410A REFRIGERANT
- SINGLE POINT POWER CONNECTION.
- PROVIDE WITH 48" TALL INSULATED AND SPRING ISOLATED ROOF CURB ENGINEERED TO SET UNIT LEVEL IN ALL DIRECTIONS. IF RTU CAN BE SIDE OUTLET, THEN PROVIDE 24" CURB IS ACCEPTABLE.
- PROVIDE FACTORY STARTUP SERVICE INCLUDING 2 VISITS FROM A FACTORY REP.
- PROVIDE SPACE SENSOR SET AT 75°F. SEE BUILDING PLAN FOR LOCATION.

Common North, Prospect, KY

MiGre Engineers LLC

780 FLORIDA CENTRAL PARKWAY SUITE 224
 LONGWOOD, FL 32750
 PH: 407.336.7999
 PROJECT #: 18025

Lyric at Norton Commons Prospect, Kentucky

Bristol Development Group
 381 Maloney Station Rd, Suite 204
 Franklin, TN 37067

charlan brock associates
 architects • planners

1770 fennell street
 maitland florida 32751-7208
 407.660.8900 • 407.875.5948
 www.cbaarchitects.com

date: 06-04-2019
 job no: 3789.15
 drawn by: GMK
 reviewed by: GMK
 file: 18025-H-SCHS
 issue history:

H6.02