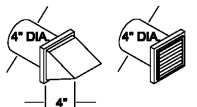
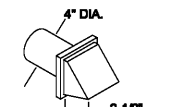
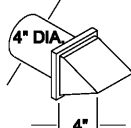
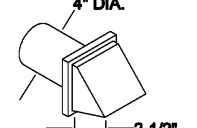
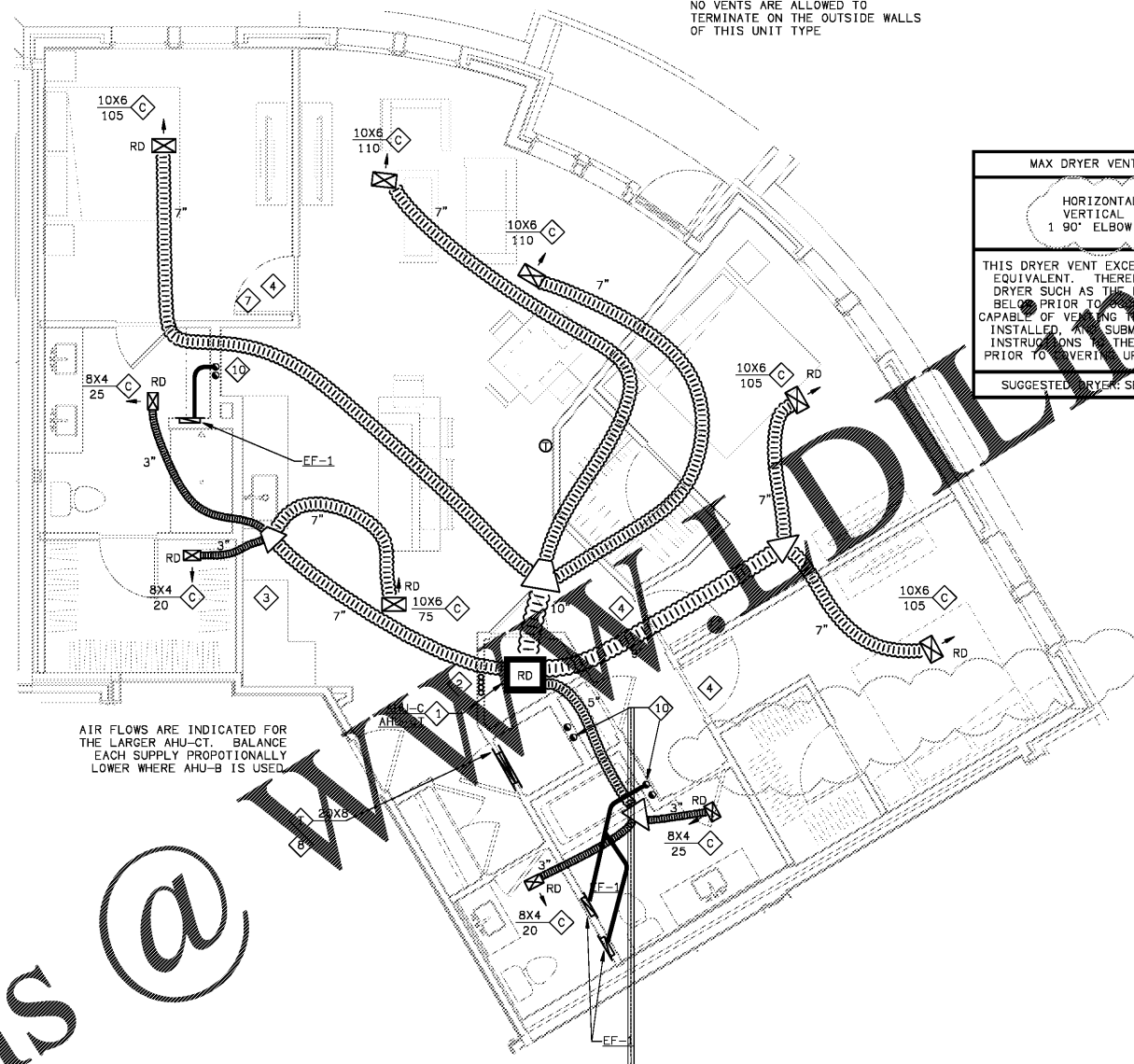


DRYER VENTING CHART  
 GE GTDX180E SIDE BY SIDE  
 GE GFDN110E ADA  
 AND  
 GE GFD40ESMWW STACKING

No. of 90° Elbows	RECOMMENDED MAXIMUM LENGTH	
	Exhaust Hood Types	
	Recommended	Use only for short run installations
		
0	90 Feet	60 Feet
1	60 Feet	45 Feet
2	45 Feet	35 Feet
3	35 Feet	25 Feet
4	25 Feet	15 Feet

DRYER VENTING CHART  
 GE GTX22EASK SIDE BY SIDE

No. of 90° Elbows	RECOMMENDED MAXIMUM LENGTH	
	Exhaust Hood Types	
	Recommended	Use only for short run installations
		
0	120 Feet	90 Feet
1	100 Feet	75 Feet
2	85 Feet	65 Feet
3	70 Feet	55 Feet
4	60 Feet	45 Feet
5	55 Feet	35 Feet



@

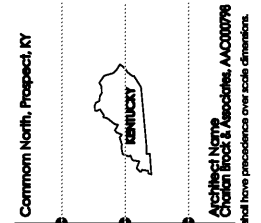
1 UNIT C3 - HVAC PLAN  
 SCALE: 1/4"=1'-0" 180325-H-UNIT

HVAC SHEET NOTES

- MOUNT AHU PER DETAIL ON SHEET H6.01. SEE HEAT PUMP SCHEDULE ON SHEET H6.01.
- REFRIGERANT LINES TO CU'S ON ROOF. PROVIDE THRU FIRESTOP PENETRATION ASSEMBLY AT TRUSS PENETRATIONS. WHERE REFRIGERANT LINES ENTER TRUSSES FROM ACCESSIBLE AREAS OUTSIDE OF WALLS OR CAVITIES, PROVIDE THRU PENETRATION WITH A 1-HOUR T-RATING AS WELL AS A 1-HOUR F-RATING.
- UNLIMITED DUCTLESS VENTILATING DEVICE FOR SERVICE.
- UNDERCUT DOOR 1" ABOVE FINISHED FLOOR.
- ROUTE ROUND BATH EXHAUST PER BATH EXHAUST DETAIL ON SHEET H6.05. 4" UNLESS OTHERWISE NOTED.
- ROUTE 4" DRYER VENT PER DRYER VENTING DETAIL ON SHEET H6.05.
- AVOID ROUTING DUCT OVER ELECTRICAL PANEL IN THIS AREA.
- PROVIDE GRILLE ON BOTH SIDES OF WALL ABOVE DOOR FOR DRYER MAKEUP OR RETURN AIR TRANSFER. CONNECT WITH GALVANIZED STEEL COLLAR. CENTER OVER THE DOOR. ANGLE GRILLE BLADES UP.
- PROVIDE ELBOW AS LESS THAN 45° SO AS TO KEEP THE TOTAL DRYER VENT LENGTH AS SHORT AS POSSIBLE.
- VENT TO ROOF WHERE THIS UNIT TYPE APPEARS ABOVE THE CLUBHOUSE OR ABOVE RETAIL ON THE FRONT FACE OF THE BUILDING. WALL VENTS ARE ACCEPTABLE ON THE COURTYARD SIDE. PROVIDE AS 4" AND 26 GAGE GALV STEEL, AND OTHERWISE COMPLY WITH THE REQUIREMENTS OF THE EXCEPTION OF SECTION 607.6.1 OF THE MECHANICAL CODE. TERMINATE WITH CURBED ROOF CAP. PROVIDE SIROSCREEN FOR BATH EXHAUST. PROVIDE BACKDRAFT DAMPER AND NO SCREEN FOR DRYER VENT.

THE EXACT POSITION OF THE EXHAUST CAPS IS IMPORTANT. USUALLY CENTERED ABOVE WINDOWS. SEE ARCHITECTURAL ELEVATIONS

Order Plans



**MiGre**  
 Engineers LLC

780 FLORIDA CENTRAL PARKWAY  
 SUITE 224  
 LONGWOOD, FL 32750  
 PH: 407.336.7999  
 PROJECT #: 18025



**Lyric at Norton Commons**  
 Prospect, Kentucky

Bristol Development Group  
 381 Maloney Station Rd, Suite 204  
 Franklin, TN 37067

**charlan • brock**  
 associates  
 architects • planners

1770 fennell street  
 mallard florida 32751-7208  
 407.660.8900 • 407.875.9948  
 www.cbaarchitects.com

UNIT C3  
 HVAC  
 PLAN

date: 06-04-2019  
 job no: 3789.15  
 drawn by: GNIK  
 reviewed by: GNIK  
 file: 18035-H-UNIT  
 issue history:  
 07-03-2019

H4.09

charlan brock associates, inc. hereby reserves its copyright in, and other rights in, these plans, ideas, and designs. These plans, ideas, and designs are not to be reproduced, changed or copied in any form or manner whatsoever, nor are they to be assigned to any third party, without first obtaining the express written permission from charlan brock associates, inc. within dimensions and have precedence over scale dimensions.