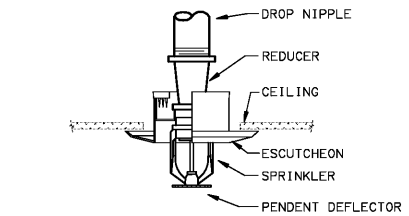


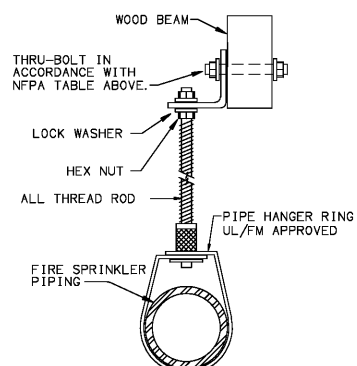
MANUAL WET STANDPIPE
SCALE: N.T.S.



RECESSED TYPE ESCUTCHEON
SCALE: N.T.S.

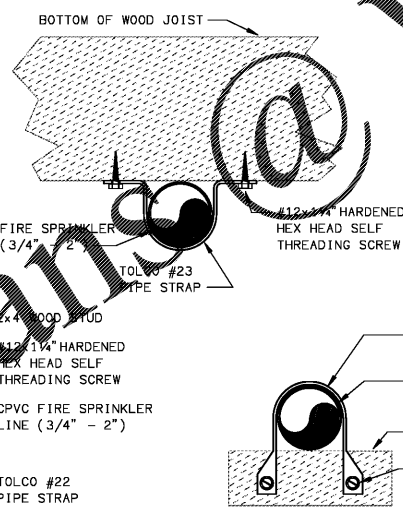
MINIMUM BOLT OR LAG SCREW SIZING TABLE

SIZE OF PIPE	SIZE OF BOLT OR LAG SCREW	LENGTH OF LAG SCREW USED WITH WOOD BEAMS
1"-2"	3/8"	2 1/2"
2"-6"	1/2"	3"



NOTE: THE SIZE BOLT OR LAG (COACH) ROD OR FLANGE ON THE SIDE OF THE BEAM SHALL NOT BE LESS THAN SPECIFIED IN THE TABLE ABOVE.

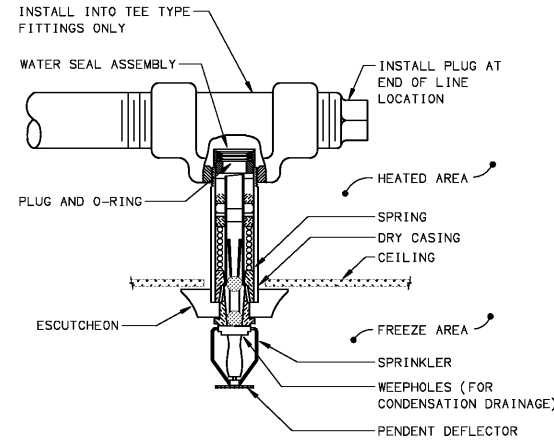
WOOD HANGER DETAIL
NTS



TYPICAL PIPE HANGER DETAILS
SCALE: N.T.S.

HANGER SPACING FOR CPVC PIPING

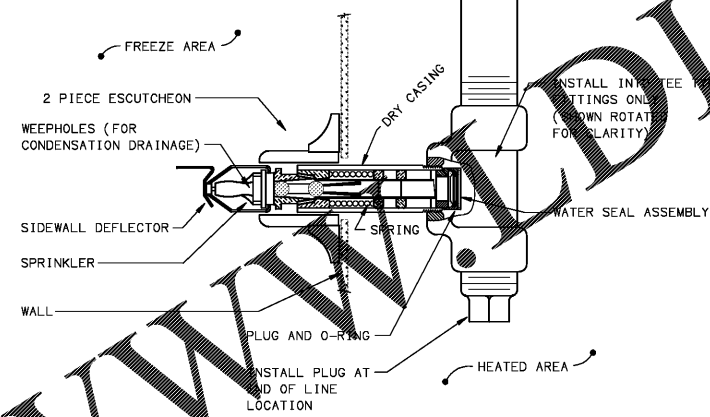
NOMINAL PIPE SIZE INCHES	MAX. SPACING FEET
3/4"	5 1/2
1"	6
1 1/4"	6 1/2
1 1/2"	7
2"	8
2 1/2"	9
3"	10



NOTE: DO NOT INSTALL INTO ELBOW TYPE FITTINGS.

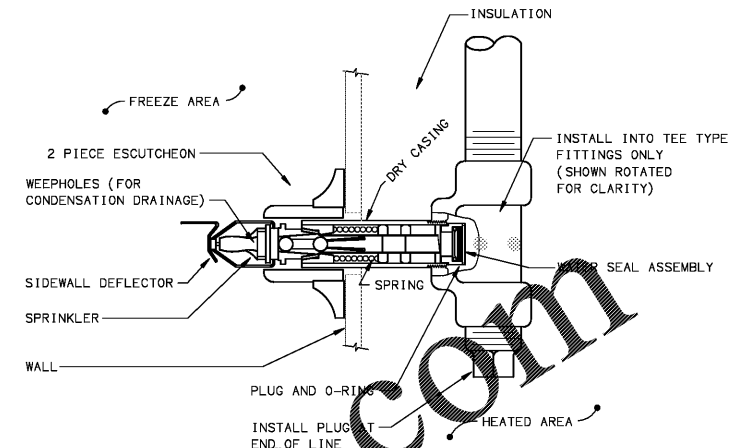
DRY PENDENT SPRINKLER HEAD
SCALE: N.T.S.

WWW.DIILINE.COM



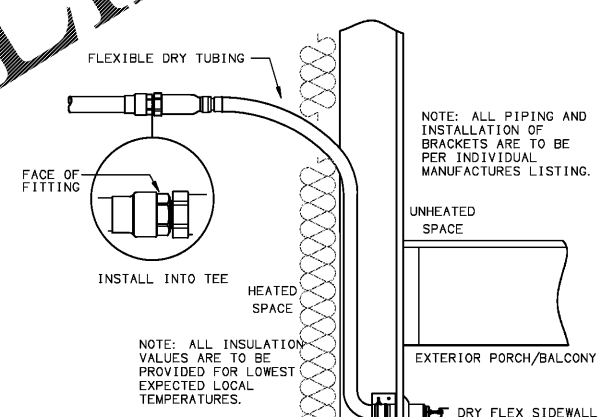
NOTE: DO NOT INSTALL INTO ELBOW TYPE FITTINGS.

DRY SIDEWALL ESCUTCHEON
SCALE: N.T.S.



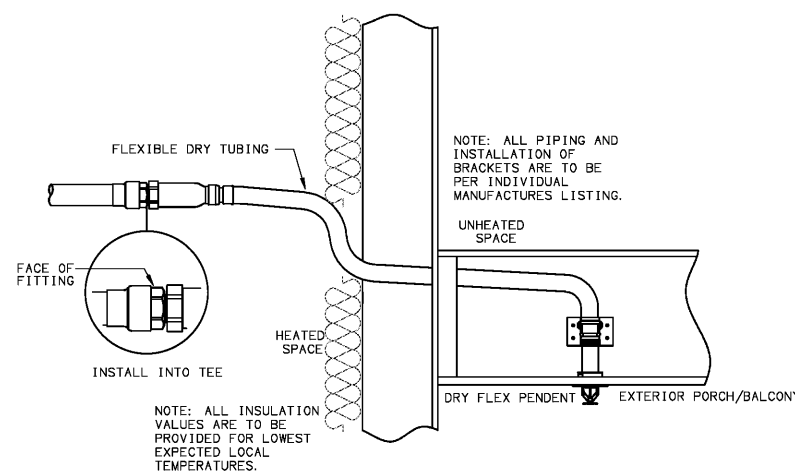
NOTE: DO NOT INSTALL INTO ELBOW TYPE FITTINGS.

DRY SIDEWALL ESCUTCHEON
SCALE: N.T.S.



NOTE: ALL INSULATION VALUES ARE TO BE PROVIDED FOR LOWEST EXPECTED LOCAL TEMPERATURES.

FLEXIBLE DRY SIDEWALL
SCALE: N.T.S.



NOTE: ALL INSULATION VALUES ARE TO BE PROVIDED FOR LOWEST EXPECTED LOCAL TEMPERATURES.

FLEXIBLE DRY PENDENT
SCALE: N.T.S.

Common North, Prospect, KY

MiGre
Engineers LLC

780 FLORIDA CENTRAL PARKWAY
SUITE 224
LONGWOOD, FL 32750
PH: 407.336.7999

PROJECT #: 18025

Lyric at Norton Commons
Prospect, Kentucky

Bristol Development Group
381 Maloney Station Rd, Suite 204
Franklin, TN 37067

charlan brock
associates

architects • planners

1770 fennell street
maitland florida 32751-7208
407.660.8900 • 407.875.9948
www.cbaarchitects.com

FIRE PROTECTION

SCHEDULES

AND DETAILS

date: 06-04-2019

job no: 3789.15

drawn by: GNIK

reviewed by: GNIK

file: 18025-F-SCHDS

Issue history:

F6.02

Architect's Name: Charlan Brock & Associates, AIA000796
The information on this drawing is the property of Charlan Brock & Associates, Inc. It is to be used only for the project and location specified. It is not to be reproduced, changed or copied in any form or manner whatsoever, nor are they to be assigned to any third party, without first obtaining the express written permission from C.B.A., Inc. within dimensions and have precedence over scale dimensions.