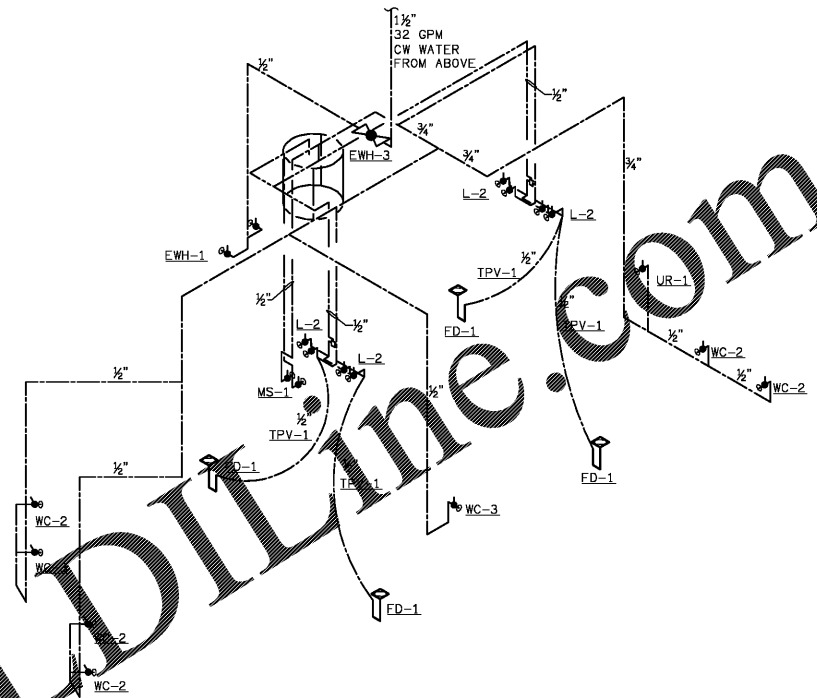
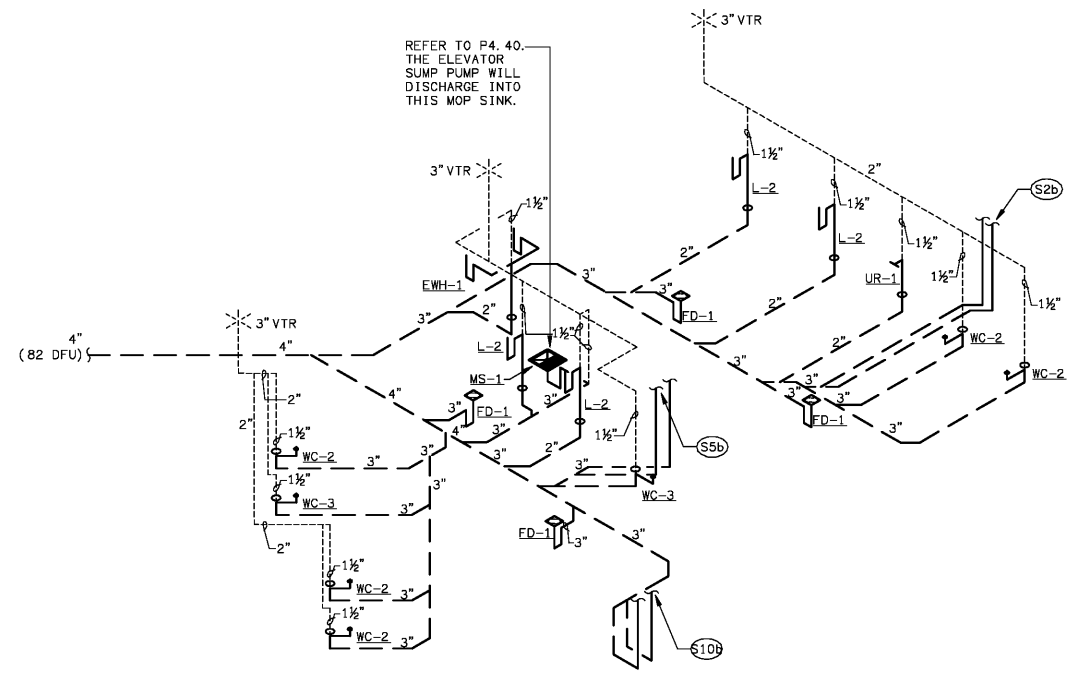


Order Plans @ www.LDinline.com



CLUBHOUSE BATHROOM WATER RISER
SCALE: NTS



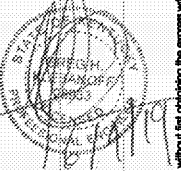
CLUBHOUSE BATHROOM SANITARY RISER
SCALE: NTS

Common North, Prospect, KY



MiGre
Engineers LLC

780 FLORIDA CENTRAL PARKWAY
SUITE 224
LONGWOOD, FL 32750
PH: 407.336.7999
PROJECT #: 18025



Lyric at Norton Commons
Prospect, Kentucky

Bristol Development Group
381 Mallory Station Rd, Suite 204
Franklin, TN 37067

charlan • brock
associates

architects • planners

1770 fennell street
maitland florida 32751-7208
407.660.8900 • 407.875.9948
www.cbaarchitects.com

PLUMBING
SCHEDULES
AND DETAILS

date: 06-04-2019
job no: 3789.15
drawn by: GNIK
reviewed by: GNIK
file: 18025-P-SCH2DS
issue history:

P6.09