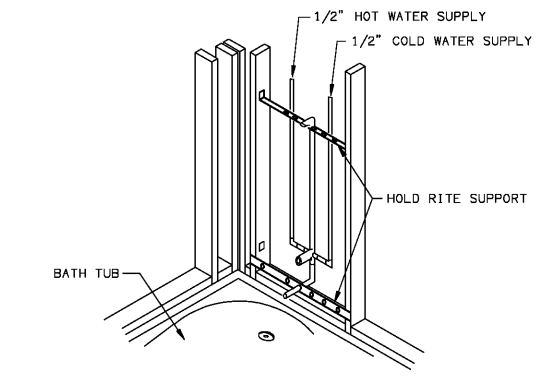


**TYPICAL CLEAN-OUT DETAILS**  
SCALE: NTS



- BASIS OF DESIGN: HOLD RITE SUPPORT SYSTEMS**
1. SHOWER HEAD ROUGH-IN. USE #101 ON HORIZONTAL PLANE WITH ENDS BENT UP. MAKE A CONNECTION THAT SHALL NOT RATTLE AND SHALL NOT PULL AWAY FROM THE WALL.
  2. VALVE SUPPORT. USE #101 ON HORIZONTAL PLANE WITH ENDS BENT UP. THIS SHALL BOTH ALIGN AND SUPPORT THE VALVE.
  3. TUB SPOUT SUPPORT. USE #101 ON HORIZONTAL PLANE. THIS SHALL PROVIDE STRONG SUPPORT FOR THE TUB SPOUT.

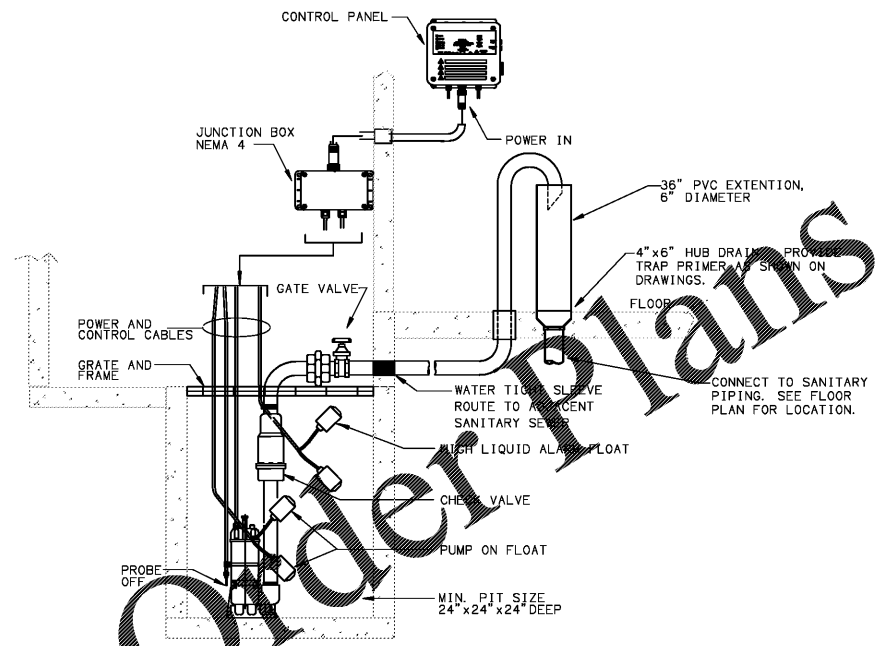
**TYPICAL TUB/SHOWER SUPPLY SUPPORT DETAIL**  
SCALE: NTS

PLUMBING EQUIPMENT SCHEDULE							
MARK	FIXTURE	WASTE	VENT	CW	HW	MANUFACTURER /MODEL #	DESCRIPTION
FD-1	FLOOR DRAIN	SIZE/DWG.	2"	1/2"	-	MIFAB #F1100-5-6-7	- CAST IRON FLOOR DRAIN, TWO PIECE BODY WITH DOUBLE DRAINAGE FLANGE, FLASHING COLLAR, WEEP HOLES, BOTTOM HUB OUTLET WITH GASKET, SECURED, VANDAL PROOF STRAINER WITH SEDIMENT BUCKET. TRAP PRIMER CONN.
RD-1	ROOF DRAIN	SIZE/DWG.	2"	1/2"	-	ZURN #Z100	- CAST IRON ROOF DRAIN, COMBINATION MEMBRANE FLASHING CLAMP/GRAVEL GUARD AND LOW SILHOUETTE POLY DRAIN.
RD-2	ROOF DRAIN	SIZE/DWG.	2"	1/2"	-	ZURN #Z100-W3	- CAST IRON ROOF DRAIN, COMBINATION MEMBRANE FLASHING CLAMP/GRAVEL GUARD AND LOW SILHOUETTE POLY DRAIN.
WCO-1	WALL CLEAN-OUT	SIZE/DWG.	-	-	-	MIFAB #C-1460-RD-34B	- CAST IRON CLEAN-OUT TEE, GAS & WATER TIGHT BRONZE PLUG, ROUND STAINLESS STEEL W/AL ACCESS COVER. REFERENCE PLANS & DIAGRAMS FOR LOCATIONS.
ECO-1	EXTERIOR CLEANOUT	SIZE/DWG.	-	-	-	SEE DETAIL	- PROVIDE CLEAN-OUT WITH 2-WAY CLEAN-OUT TEE. (LAWN, IN FLUSH 12" x 12" x 2" CONCRETE PAD.)
FCO-1	FLOOR CLEAN-OUT	SIZE/DWG.	-	-	-	MIFAB #C-1100	- CAST IRON FLOOR CLEANOUT, GAS & WATER TIGHT BRONZE PLUG, ROUND STAINLESS STEEL W/AL ACCESS COVER. REFERENCE PLANS & DIAGRAMS FOR LOCATIONS.

ELECTRIC WATER HEATER SCHEDULE													
MARK	MANUFACTURER	MODEL NUMBER	ELECTRIC RATING				GALLON STORAGE	TEMP. RISE	RECOVERY	UEF	WEIGHT (LBS)	DIMENSIONS	REMARKS
			TOTAL	# ELEMENTS	VOLTS	PH.							
EWH-1	AO SMITH	ENL-40	6.0	2 @ 6.0	208	1#	38	50° F.	21 GPH	.89	451	33-1/2" X 26"	1, 2
EWH-2	AO SMITH	ENL-50	6.0	2 @ 6.0	208	1#	50	50° F.	21 GPH	.93	535	34" X 25"	1, 2
EWH-3	AO SMITH	ENL-28	6.0	1 @ 6.0	208	1#	28	50° F.	21 GPH	NA	232	30" X 20"	1, 2
EWH-4	EEMAX	SP3012	7.0	1 @ 3	120	1#	NA	41° F.	NA	-	-	-	-

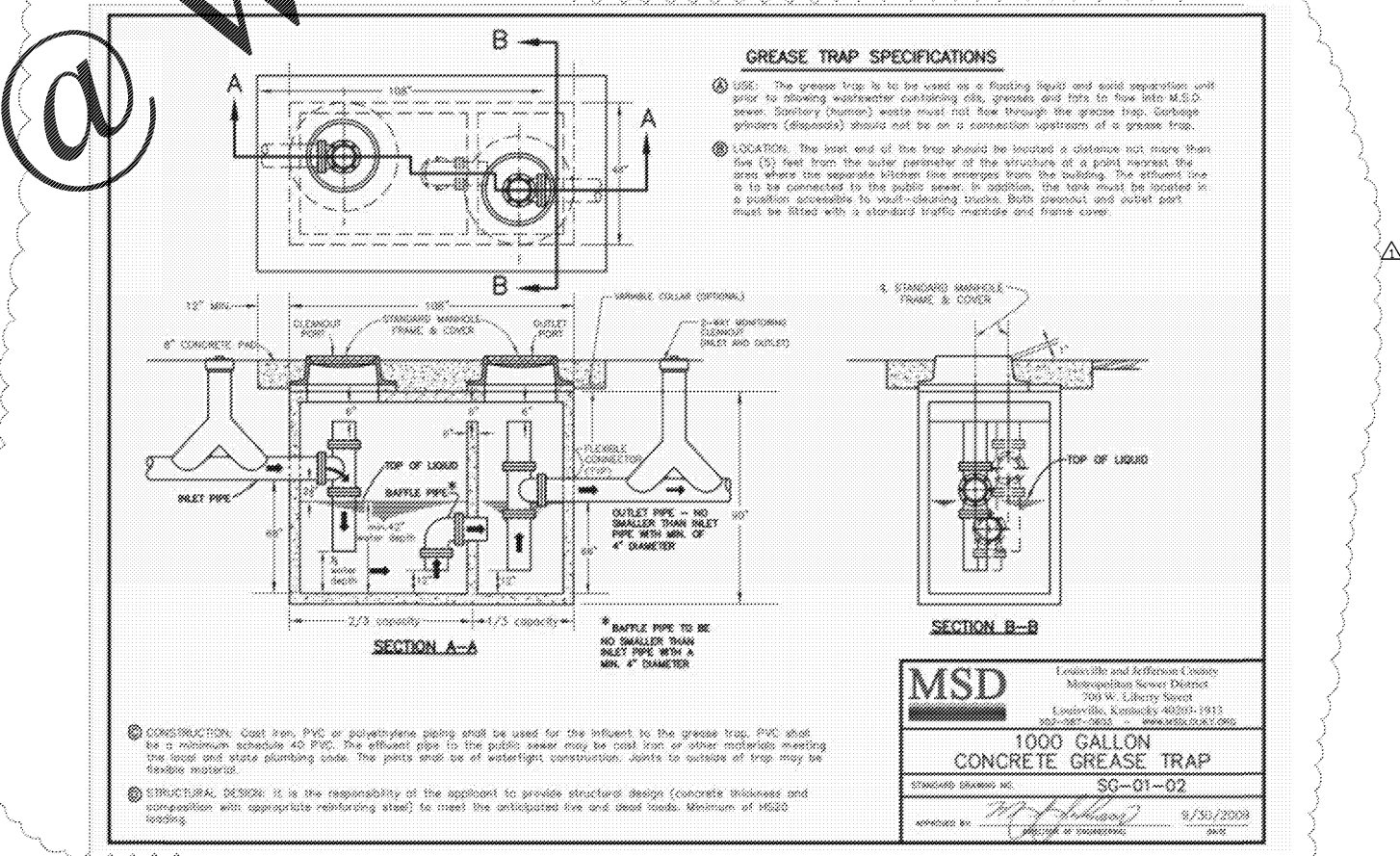
**NOTES:**  
 1. HEATER ELEMENTS ARE WIRED FOR NON-SIMULTANEOUS OPERATION.  
 2. WORK SUPPLY WITH HEAT TRAP NIPPLES.  
 3. SET TEMPERATURE TO 120 DEGREES F AND INSTALL MIXING VALVE SET TO 120 DEGREES F. REFER TO DETAIL THIS SHEET.

HOT WATER MIXING VALVE SCHEDULE								
MARK	LOCATION	GPM	# OF VALVES	INLET TEMP.	OUTLET TEMP.	INLET SIZE	OUTLET SIZE	SELECTION BASED ON:
								BRADLEY S59-4000
MV-1	LAVATORY ADA (ALL LAVATORIES)	1	AS REQUIRED	120° F.	105° F.	1/2"	1/2"	BRADLEY S59-4000



SUBMERSIBLE PUMP PACKAGE SYSTEM- STANCOR MODEL NO. SE-50; .5 HP, 115V, 1/2" DIA. DISC., JUNCTION BOX CONTROL PANEL W/ AUDIBLE AND VISUAL ALARM, SILENCING SWITCH, DRY CONTACTS FOR REMOTE MONITORING, POWER CABLE, CONTROL CABLES, LIGHTS FOR OIL SPILL, POWER, HIGH LIQUID LEVEL, OVERLOAD AND PUMP RUN. SYSTEM SHALL BE A COMPLETE PACKAGE.

**ELEVATOR SUMP PUMP DETAIL**  
SCALE: NTS



**MSD** Madisonville and Jefferson County Metropolitan Sewer District  
 708 W. Liberty Street  
 Louisville, Kentucky 40203-1913  
 502-587-2823 www.msddist.org

**1000 GALLON CONCRETE GREASE TRAP**  
 SG-01-02

DATE: 6/30/2009

Common North, Prospect, KY

**MiGre Engineers LLC**  
 780 FLORIDA CENTRAL PARKWAY SUITE 224  
 LONGWOOD, FL 32750  
 PH: 407.336.7999  
 PROJECT #: 18025

STATE OF KENTUCKY  
 OFFICE OF PROFESSIONAL ENGINEERS  
 REGISTERED PROFESSIONAL ENGINEER  
 19933

**Lyric at Norton Commons**  
 Prospect, Kentucky

Bristol Development Group  
 381 Maleny Station Rd, Suite 204  
 Franklin, TN 37067

**charlan brock associates**  
 architects • planners

1770 fennell street  
 maitland florida 32751-7208  
 407.660.8900 • 407.875.5948  
 www.cbaarchitects.com

**PLUMBING SCHEDULES AND DETAILS**

date: 06-04-2019  
 job no: 3789.15  
 drawn by: GNIK  
 reviewed by: GNIK  
 file: 18025-P-SCHEDS  
 issue history:  
 07-03-2019