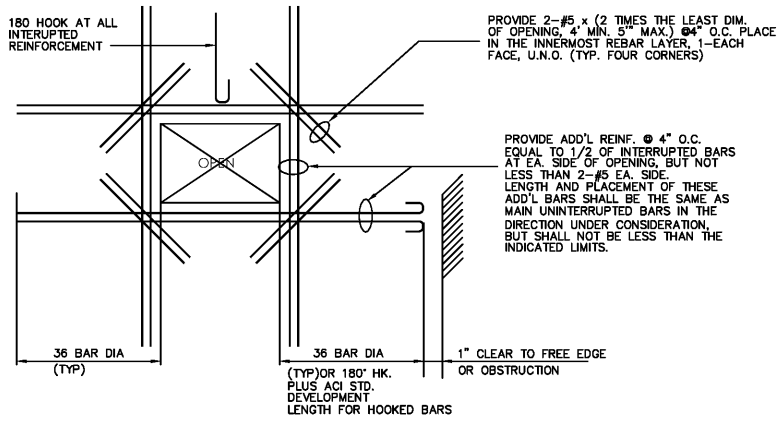
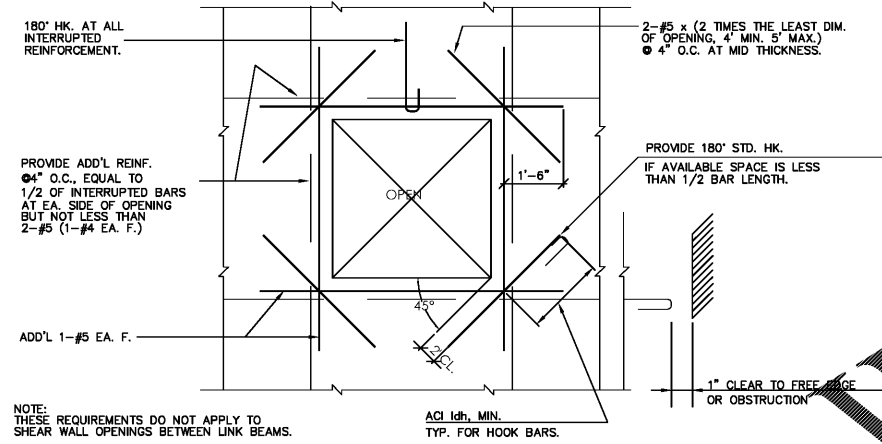


30 TYPICAL RE-ENTRANT CORNER DETAIL N.T.S.

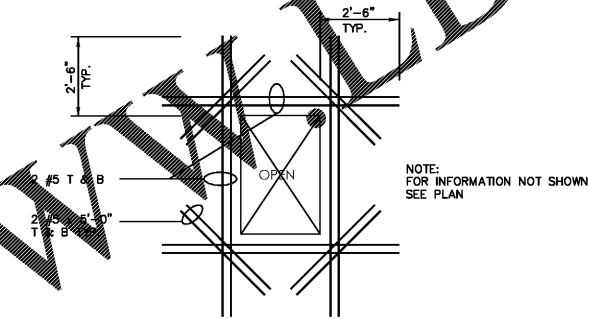


31 MIN. REINFORCEMENT @ SLAB OPENINGS N.T.S.

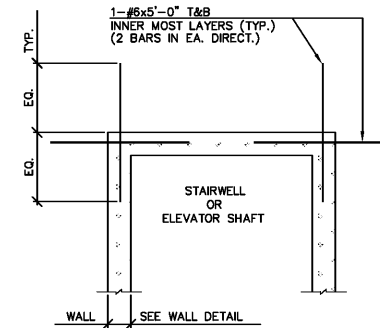
32 NOT USED N.T.S.



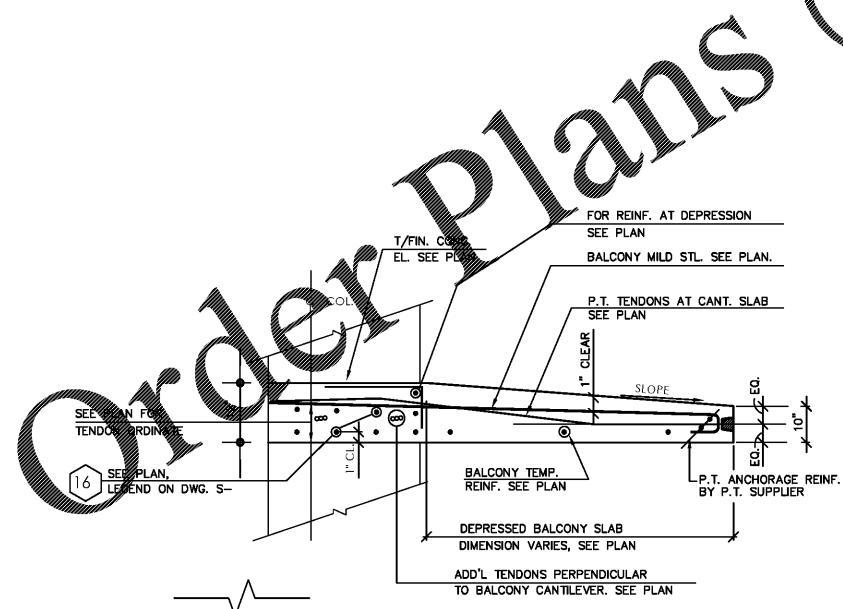
33 MIN. REINFORCEMENT @ WALL OPENINGS N.T.S.



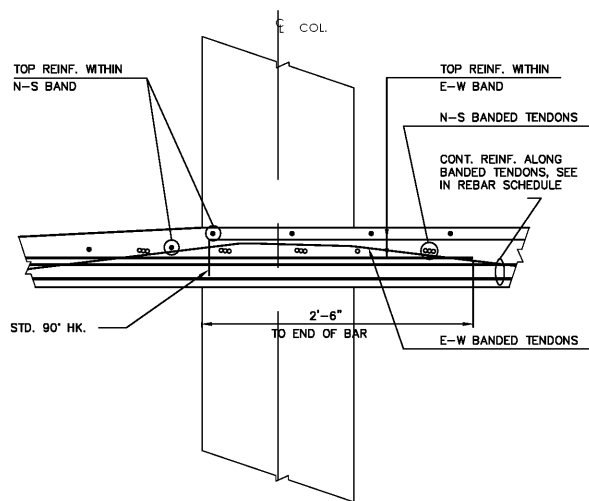
34 TYPICAL ADD'L REINF. @ PT SLAB N.T.S.



35 TYPICAL WALL CORNER REINFORCEMENT N.T.S.



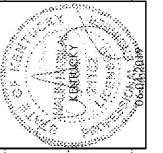
36 SECTION TYPICAL CANTILEVER BALCONY SLAB REINFORCEMENT & TENDON PLACEMENT. N.T.S.



37 SECTION N.T.S.

Order Plans @

WWW.DIline.com



NALIN H. JOSHI, PE
 4321 MAYWOOD DRIVE
 JACKSONVILLE, FLORIDA 32277
 NALIN@YSHREE.COM
 (904) 744-6133

Norton Commons North - Apartments
 Prospect, Kentucky



1770 fennell street
 maitland florida 32751-7208
 407.660.8900 F: 407.875.8948
 www.cbaarchitects.com

STRUCTURAL
 STANDARD
 POST TENSION
 DETAILS

date: 06-04-2019
 job no: 3789.15
 drawn by: CDG
 reviewed by: NHJ
 file: 3789SD-7C
 issue history: