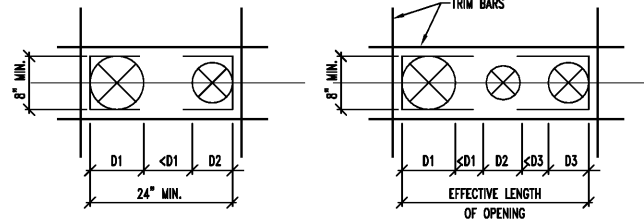


NOTE: PENETRATION WITH DIMENSIONS GREATER THAN 12\"/>

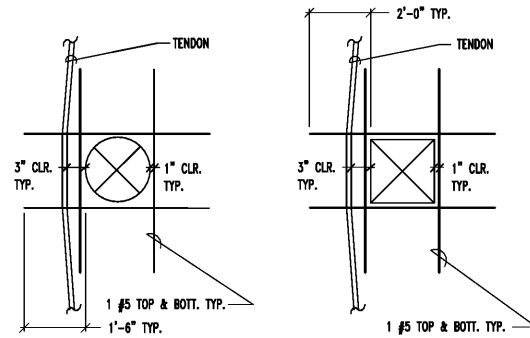
19 OPENINGS AT PT ANCHORAGE



OPENINGS OR SLEEVES WHICH ARE CLOSER TO ONE ANOTHER THAN THE DIAMETER OF THE LARGER OF THE TWO ARE CONSIDERED TO FORM A COMBINED OPENING

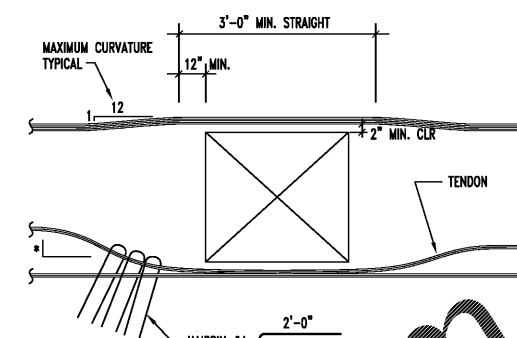
- IF THE COMBINED OPENING IS LESS THAN 12\"/>
- IF THE COMBINED OPENING IS MORE THAN 12\"/>
- 1 #5 T & B WITH 2'-0\"/>
- NO DIAGONAL BARS ARE NECESSARY FOR OPENINGS LESS THAN 24\"/>
- IF COMBINED OPENING IS LARGER THAN 24\"/>

20 TRIM BARS FOR MULTIPLE OPENINGS



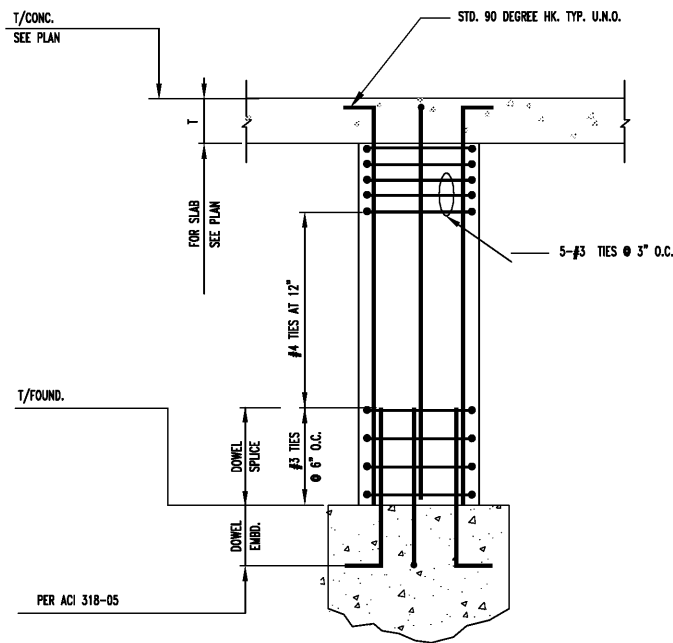
REINF. FOR OPENINGS IN SLAB, 12\"/>

21 TRIM BARS AT SLAB OPENINGS



WHERE TENDON CURVATURE EXCEEDS 1:12

22 TENDON PLACEMENT AT OPENING 24\"/>



23 TYP. COLUMN BAR PLACEMENT DIAGRAM

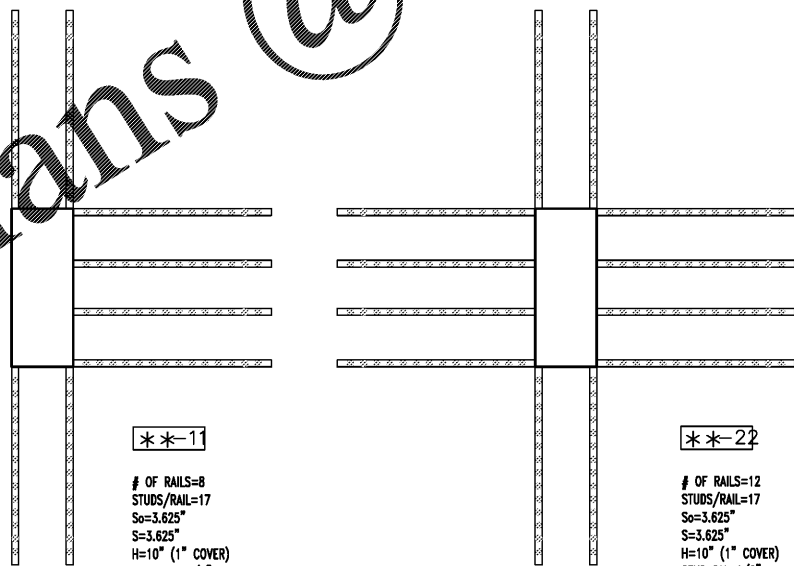
24 NOT USED

25 SECTION

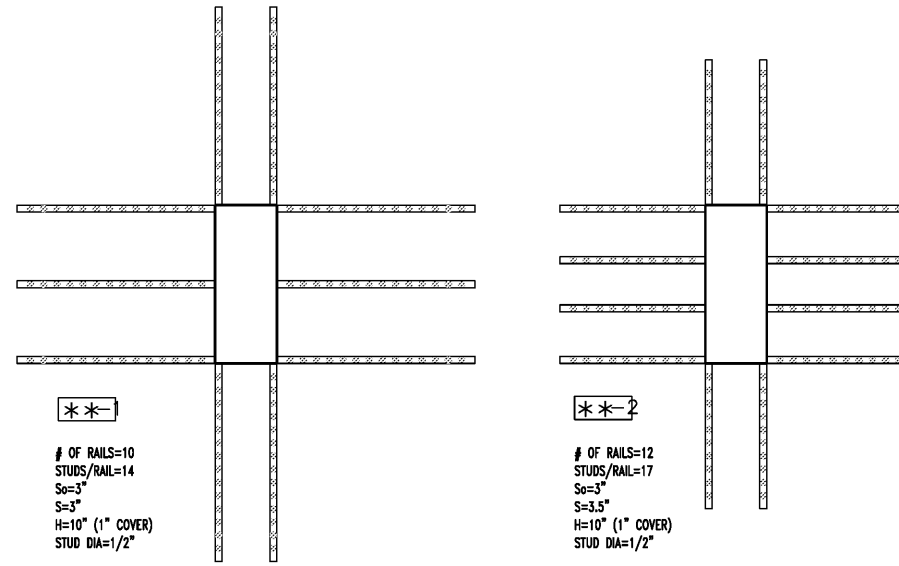
26 ARRANGEMENT OF TENDONS AT OPENING 6'-0\"/>

23 TYP. COLUMN BAR PLACEMENT DIAGRAM

Order Plans @ WWW.WLDLINE.COM



28 STUDRAIL @ COLUMN BUILDING TYPE 1



29 STUDRAIL @ COLUMN BUILDING TYPE 2

Common North, Prospect, KY



**NALIN H. JOSHI, P.E.**  
 4321 MAYWOOD DRIVE  
 JACKSONVILLE, FLORIDA 32277  
 NALIN@WLDLINE.COM  
 (904)744-6133

Norton Commons North - Apartments  
 Prospect, Kentucky  
 Bristol Development Group  
 381 Malory Station Rd, Suite 204  
 Franklin, TN 37067



1770 fennell street  
 maitland florida 32751-7208  
 407.660.8900 f: 407.875.8948  
 www.cbaarchitects.com

STRUCTURAL  
 STANDARD  
 POST TENSION  
 DETAILS

date: 06-04-2019  
 job no: 3789.15  
 drawn by: CDG  
 reviewed by: NHJ  
 file: 3789SDT-7E  
 issue history:

Permit Set-06/04/2019

SDT-7B

C:\USERS\CONCRETE\DOCUMENTS\STRUCTURAL\STUDRAIL.DWG - REVISION: CONCRETE\3789SDT-7E  
 Monday, June 03, 2019  
 06/04/2019