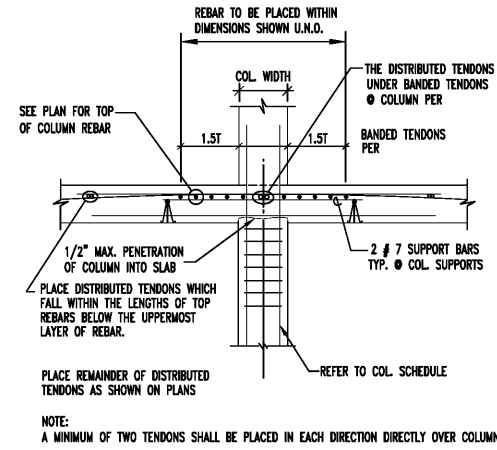
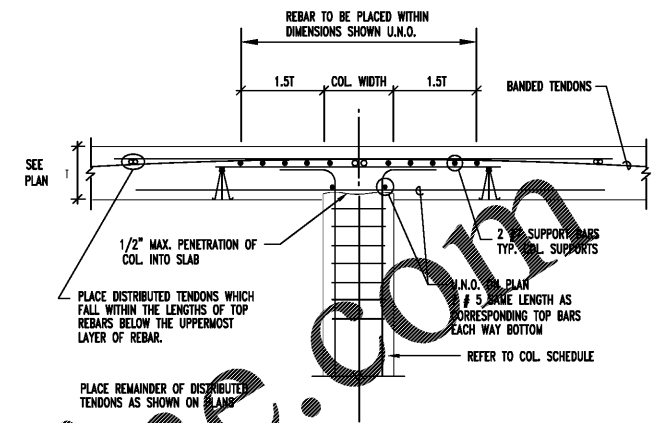


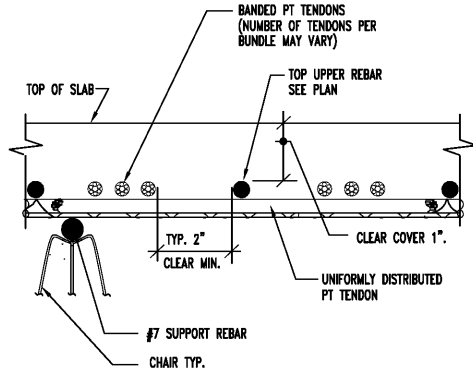
10 ANCHORAGE ZONE AT BAND OF TENDONS SLAB END VIEW N.T.S.



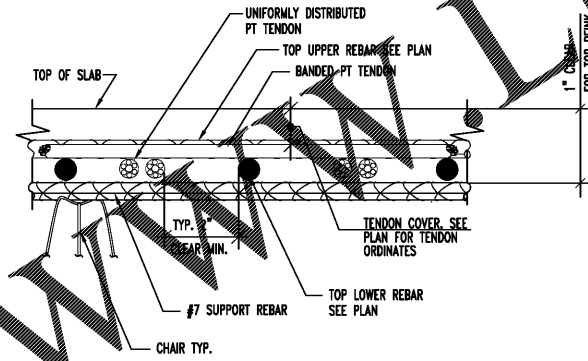
11 TYPICAL COLUMN-SLAB SECTION N.T.S.



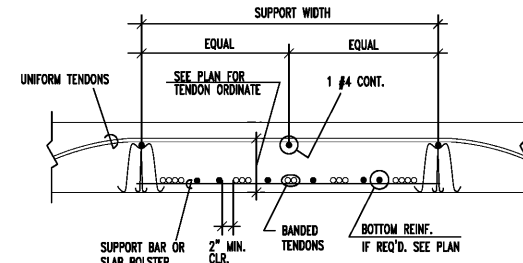
12 TYPICAL COLUMN-SLAB SECTION N.T.S.



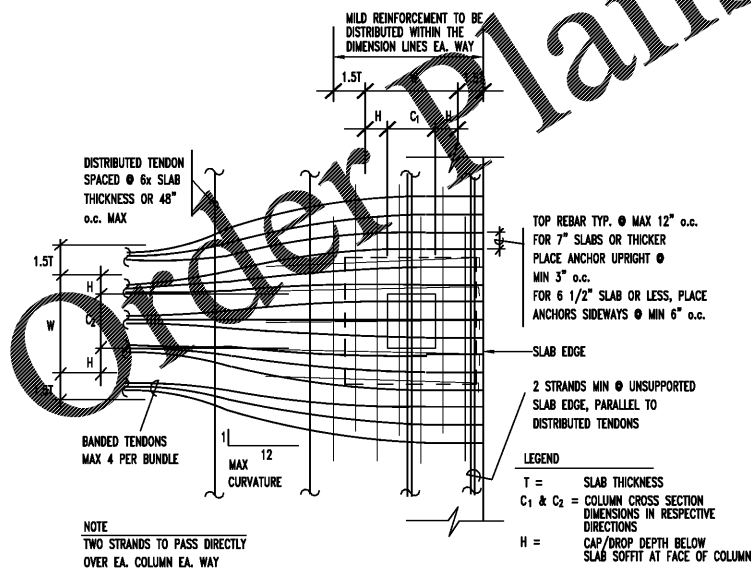
13 SECTION THROUGH BANDED TENDON AT COLUMN N.T.S.



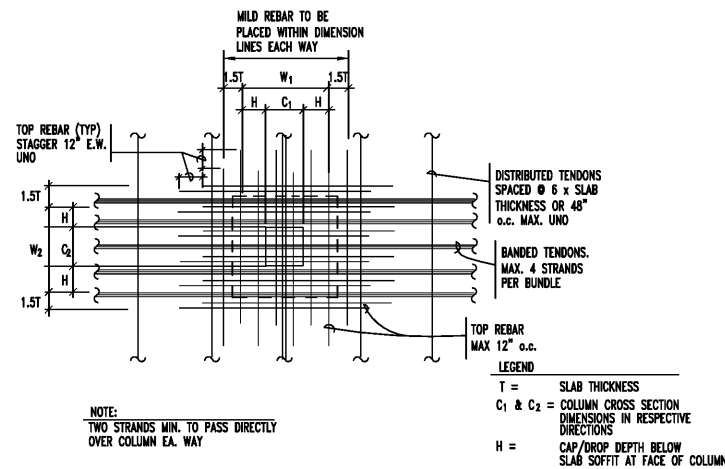
14 SECTION THROUGH DISTRIBUTED TENDON AT COLUMN N.T.S.



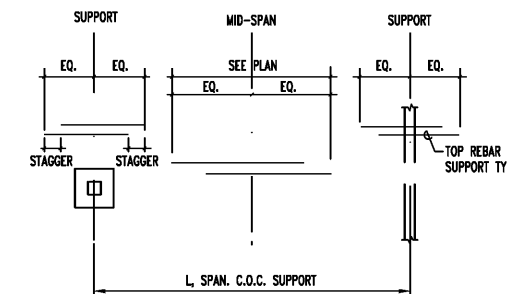
15 SECTION - BANDED TENDONS AT MID-SPAN N.T.S.



16 TOP REINFORCEMENT AT EXTERIOR COLUMNS N.T.S.



17 TOP REINFORCEMENT AT INTERIOR COLUMNS N.T.S.



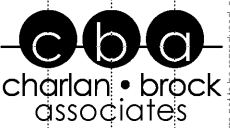
18 ARRANGEMENT OF BARS IN SLAB N.T.S.

Common North, Prospect, KY



NALIN H. JOSHI, P.E.
4321 MAYWOOD DRIVE
JACKSONVILLE, FLORIDA 32277
NALIN@YSHREE@AOL.COM
(904)744-6133

Norton Commons North - Apartments
Prospect, Kentucky
Bristol Development Group
381 Mallory Station Rd, Suite 204
Franklin, TN 37067



architects planners
1770 fenell street
maitland florida 32751-7208
407.660.8900 F: 407.875.8948
www.cbaarchitects.com

STRUCTURAL
STANDARD
POST TENSION
DETAILS

date: 06-04-2019
job no: 3789.15
drawn by: CDB
reviewed by: NHJ
file: 3789SDT-7A
issue history:

Permit Set- 06/04/2019

SDT-7A

C:\USERS\CONCRETE\DRAWINGS\STRUCTURAL\STUFF\3789 - PROSPECT - CONCRETE\3789SDT-7A

charlan, brock & associates, inc. hereby reserves all common law copyright and other proprietary rights in these plans, ideas, and designs. these ideas, designs, and plans are not to be reproduced, changed or copied in any form or manner whatsoever, nor are they to be assigned to any third party, without first obtaining the express written permission from c.b.a., inc. within dimensions shall have precedence over scale dimensions.