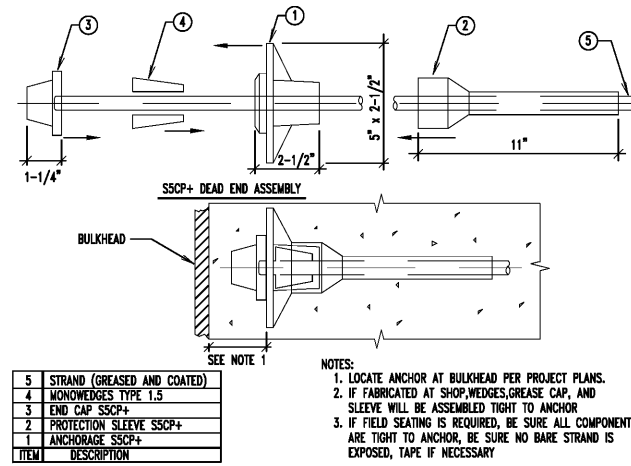
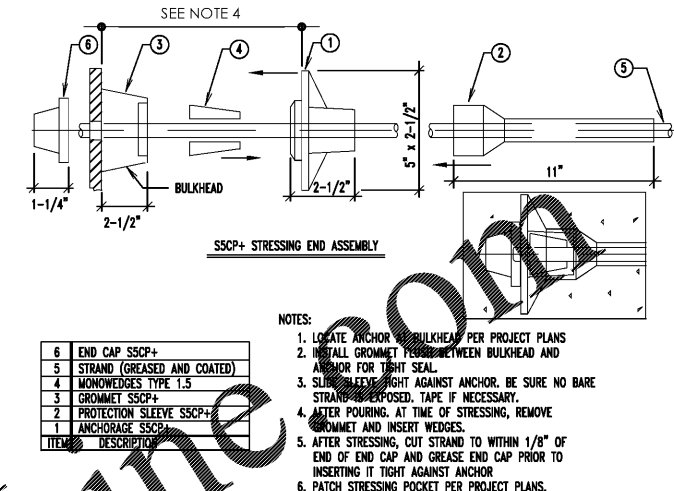


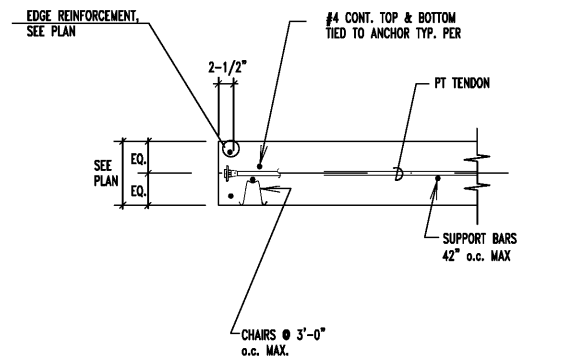
1 TYPICAL MONOSTRAND ANCHOR N.T.S.



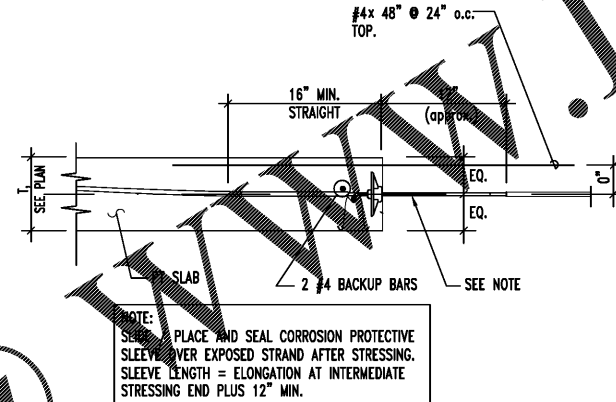
2 ENCAPSULATED SYSTEM FOR TENDONS IN CORROSIVE ENVIRONMENT (DEAD END) N.T.S.



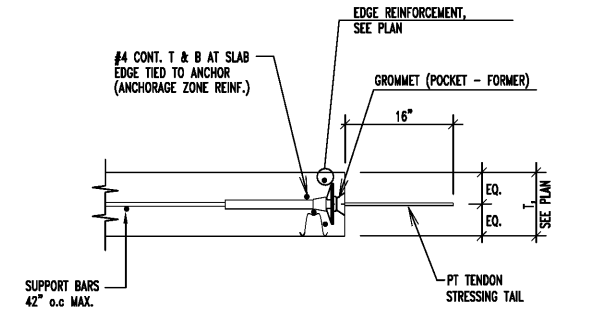
3 ENCAPSULATED SYSTEM FOR TENDONS IN CORROSIVE ENVIRONMENT (STRESSING END) N.T.S.



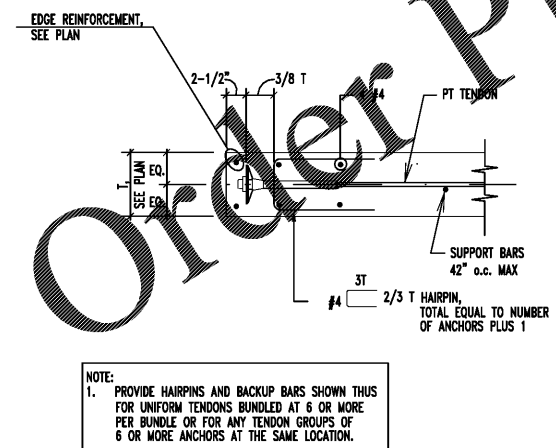
4 DEAD END AT DISTRIBUTED TENDONS N.T.S.



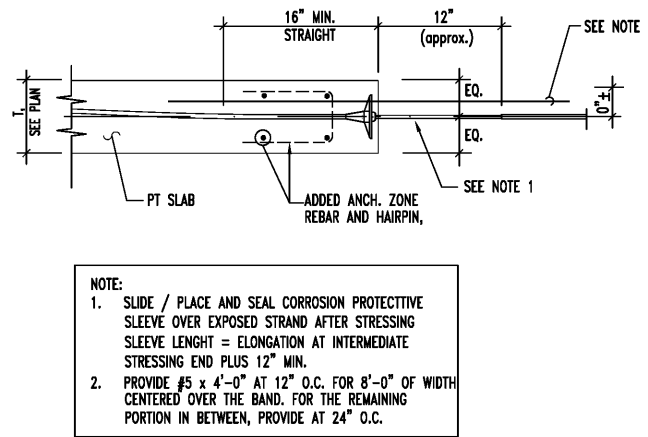
5 CONSTRUCTION JOINT WITH INTERMEDIATE STRESSING FOR UNIFORM TENDONS N.T.S.



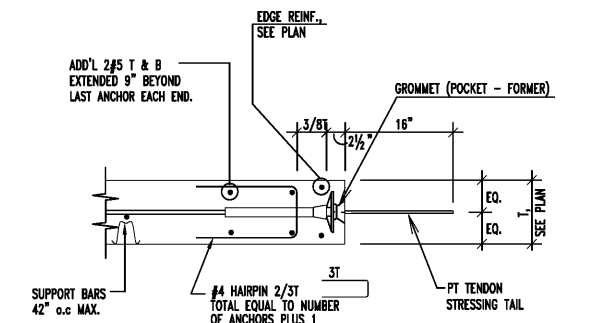
6 DISTRIBUTED TENDONS STRESSING END DETAIL N.T.S.



7 DEAD END AT BANDED TENDONS N.T.S.



8 CONSTRUCTION JOINT WITH INTERMEDIATE STRESSING FOR BANDED TENDONS N.T.S.



9 STRESSING END AT BANDED TENDONS N.T.S.

Common North, Prospect, KY

Norton Commons North - Apartments

NALIN H. JOSHI, P.E.
 4321 MAYWOOD DRIVE
 JACKSONVILLE, FLORIDA 32277
 NALIN.H.JOSHI@AOL.COM
 (904) 744-6133

Prospect, Kentucky
 Bristol Development Group
 381 Malloy Station Rd, Suite 204
 Franklin, TN 37067

cba
 charlan • brock
 associates
 architects planners

1770 fenell street
 maitland florida 32751-7208
 407.660.8900 f: 407.875.8948
 www.cbaarchitects.com

STRUCTURAL
 STANDARD
 POST TENSION
 DETAILS

date: 06-04-2019
 job no: 3789.15
 drawn by: CDG
 reviewed by: NHJ
 file: 3789SDT-7
 issue history:

Permit Set-06/04/2019

SDT-7

charlan, brock & associates, inc. hereby reserves all common law copyright and other proprietary rights in these plans, ideas, and designs. these ideas, designs, and plans are not to be reproduced, changed or copied in any form or manner whatsoever, nor are they to be assigned to any third party, without first obtaining the express written permission from c.b.a., inc. written dimensions shall have precedence over scale dimensions.

C:\USERS\ADMINISTRATOR\DESKTOP\STRUCTURAL STUFF\3789 - NORTON COMMONS NORTH - PROSPECT - CONTRACTS\3789SDT-7
 Monday, June 03, 2018
 04:40:09