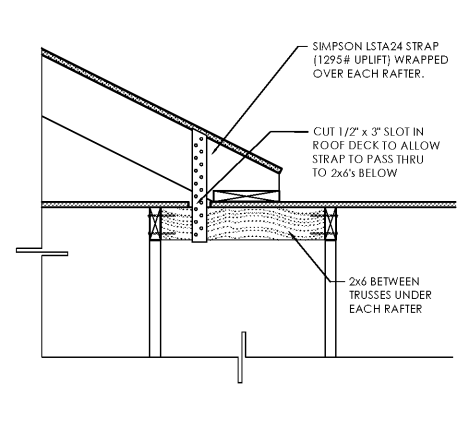
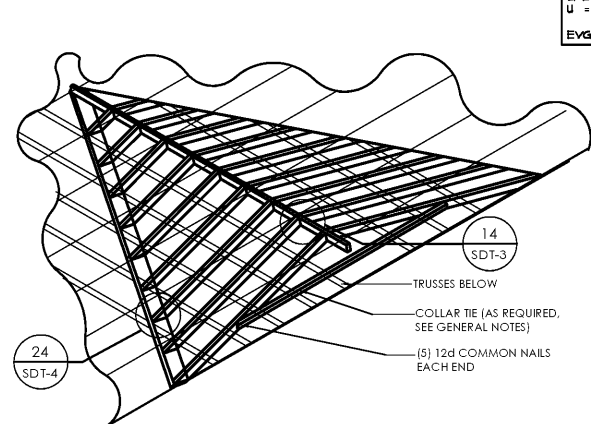


23 GABLE END DETAIL N.T.S.

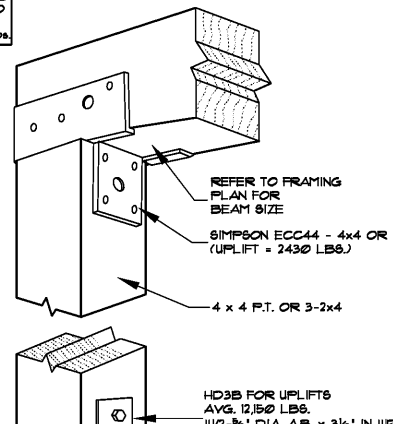


24 GABLE END DETAIL N.T.S.

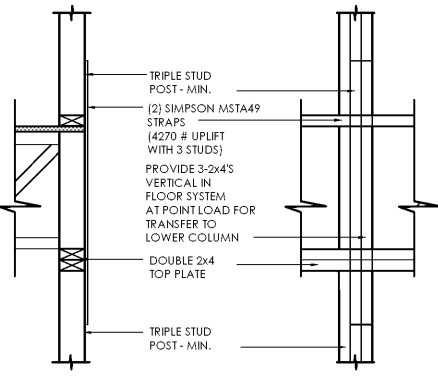


25 VALLEY HAND FRAMING DETAIL N.T.S.

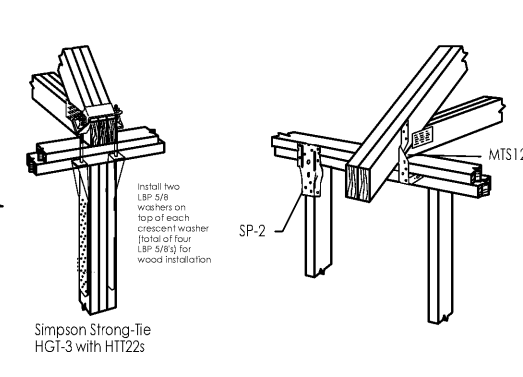
DESIGN UPLIFT:  
U = 456# lbs  
UPLIFT CAP. OF HD-3B  
U = 866# lbs (min) TO  
1500# lbs (max)  
AVG. UPLIFT = 1250# lbs



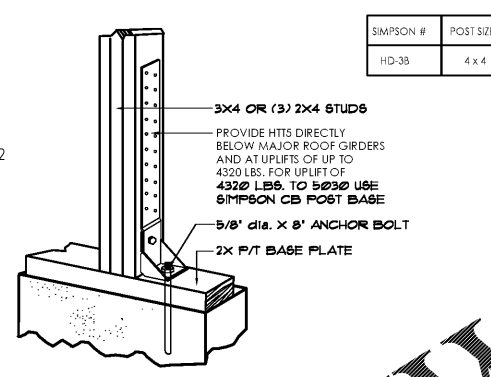
26a COL. AT BALCONY ALTERNATE SCALE: 1 1/2" = 1'-0"



27 FLOOR TO FLOOR TIE AT BEARING POST N.T.S.  
FOR UPLIFT CONDITIONS FROM 4270 LBS TO 6405 USE (3) MSTA36



28 GIRDER TRUSS ANCHOR AT BEARING POST N.T.S.

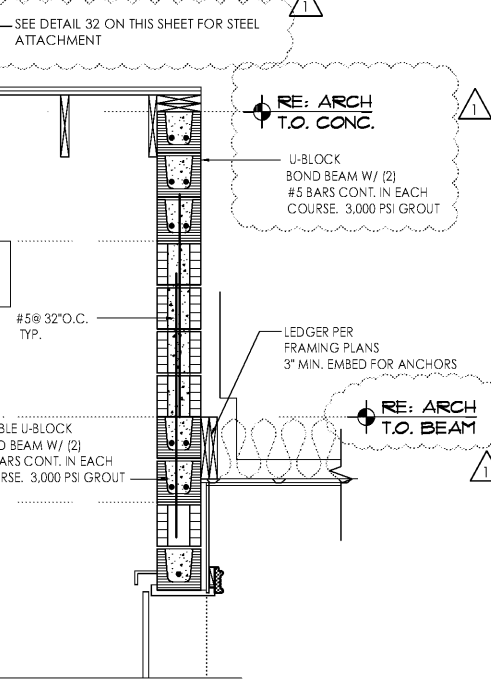


29 POINT LOAD ANCHOR N.T.S.

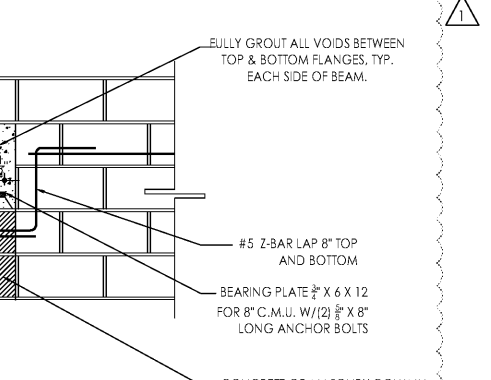
SIMPSON #	POST SIZE	AVG. UPLIFT CAPACITY	DESIGN UPLIFT
HD-3B	4 x 4	12,150# (w/ BOLTS)	4560# (Max.)



26 TYP. POST CONNECTORS N.T.S.

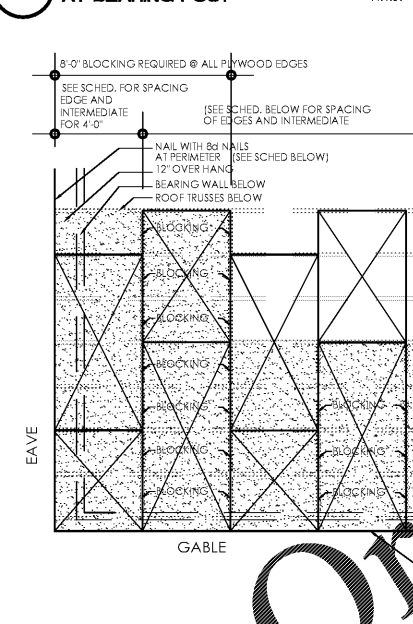


31 TYP. ELEVATOR SECTION - ROOF SCALE: 3/4" = 1'-0"



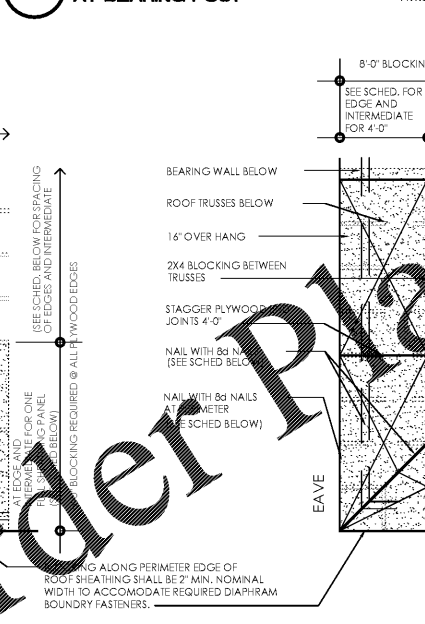
32 TYP. ELEVATOR BEAM DETAIL SCALE: 3/4" = 1'-0"

27 FLOOR TO FLOOR TIE AT BEARING POST N.T.S.



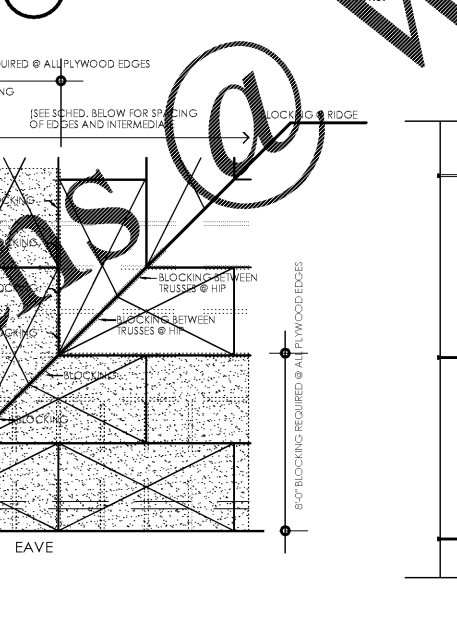
30 TYP. ROOF SHEATHING NAILING PATTERNS N.T.S.

28 GIRDER TRUSS ANCHOR AT BEARING POST N.T.S.



28 GIRDER TRUSS ANCHOR AT BEARING POST N.T.S.

29 POINT LOAD ANCHOR N.T.S.



29 POINT LOAD ANCHOR N.T.S.

32 COLUMN NAILING PATTERN SCALE: 3/4" = 1'-0"

WIND M.P.H.	ROOF CONDITION	EDGE @ PERIMETER	INTERMEDIATE	INTERIOR EDGES OVER BLOCKING	SIZE
115 M.P.H.	SLOPED ROOFS BUILDING TYPE 5	8d @ 6" O.C.	8d @ 8" O.C.	8d @ 8" O.C.	8d
115 M.P.H.	FLAT ROOFS W/ PARAPET	10d @ 3" O.C.	10d @ 6" O.C.	10d @ 3" O.C.	10d

**NOTE:**  
WHERE THE NUMBER OF NAILS ARE NOT SPECIFIED FOR FRAMING CONNECTORS, THE CONTRACTOR WILL FOLLOW THE MANUFACTURER'S SPECIFICATIONS TO ACHIEVE MAXIMUM HOLDING VALUES.

**GENERAL NOTES**

- ALL RAFTERS TO BE (2x6) #2 SYP. SPACED 16" O/C
- ANY RAFTER LENGTHS OVER 16'-0" CLEAR SPAN TO HAVE (2x4) SYP COLLAR TIE AT 1/2 SPAN (UP TO 16'-0")
- RIDGE BOARD AND CLEAT TO BE (2x8) SYP #2
- ATTACH LOWER END OF RAFTER TO TRUSS BELOW USING SIMPSON LSTA24 W/ 12-12D NAILS
- ATTACH RAFTER TO RIDGE BOARD USING SIMPSON LSU26

SIMPSON TRUSS RAFTER CONNECTORS			
MODEL NO.	QTY. REQ'D	UPLIFT	
HT-5	1	415 LBS.	
HT-5	2	830 LBS.	
H10	1	905 LBS.	
H10	2	1810 LBS.	
MIS12	1	2000 LBS.	
MIS12	2	4000 LBS.	
HTT5	1	4375 LBS.	
HTT5	2	8750 LBS.	

Common North, Prospect, KY

Norton Commons North - Apartments  
Prospect, Kentucky  
Bristol Development Group  
381 Mallory Station Rd, Suite 204  
Franklin, TN 37067

charlan brock associates  
architects • planners  
1770 fenell street  
maitland florida 32751-7208  
407-660-8900 f: 407-875-8948  
www.cbarchitects.com

TYPICAL DETAILS

date: 06-04-2019  
job no: 3789.15  
drawn by: CDG  
reviewed by: NHJ  
file: 3789SDT-4  
issue history:  
7/3-2019

REV1-07-03-2019

SDT-4

C:\Users\charlanc\Documents\STUDIO 360 - STAFF\SYSTEM - NORTON COMMONS\3789SDT-4  
Created: Tuesday, July 16, 2019