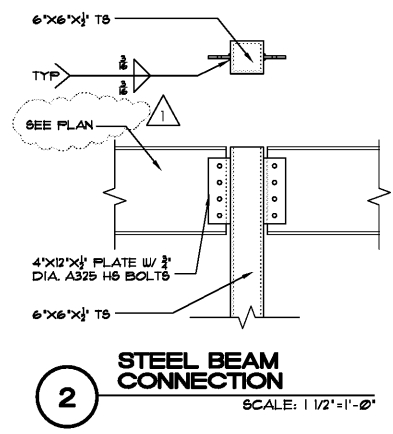
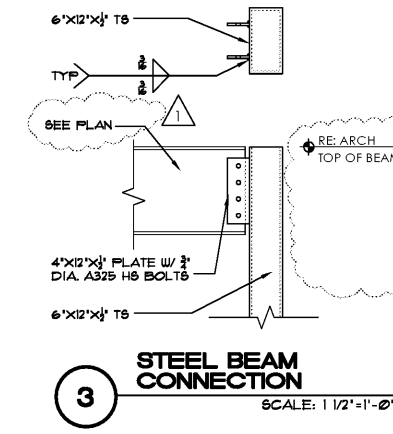


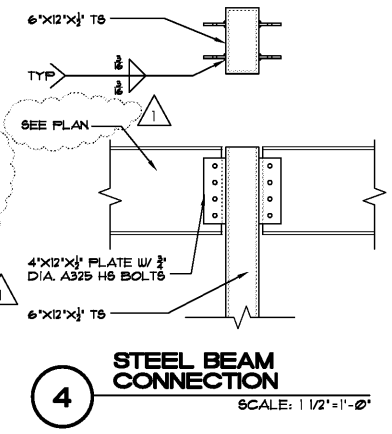
1 STEEL BEAM CONNECTION
SCALE: 1/2"=1'-0"



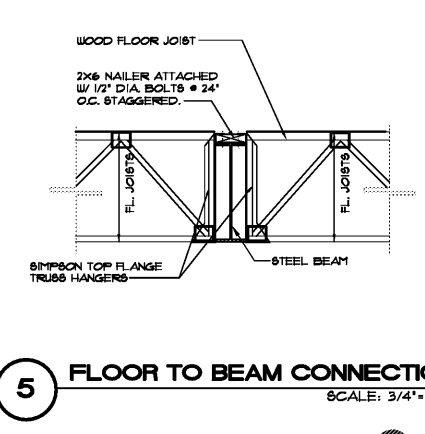
2 STEEL BEAM CONNECTION
SCALE: 1/2"=1'-0"



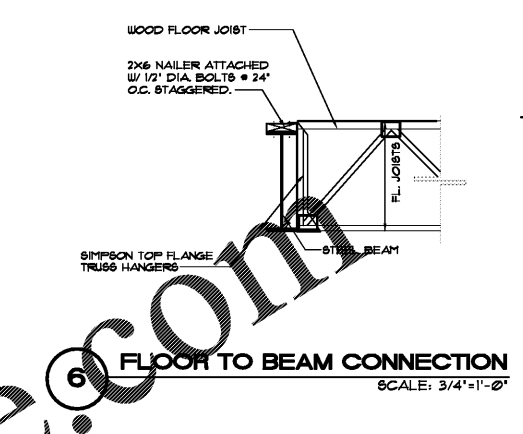
3 STEEL BEAM CONNECTION
SCALE: 1/2"=1'-0"



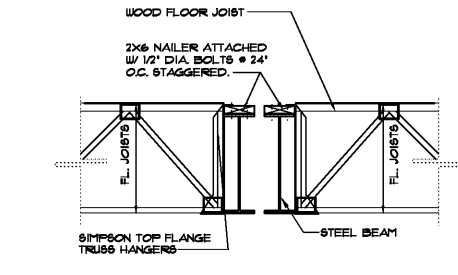
4 STEEL BEAM CONNECTION
SCALE: 1/2"=1'-0"



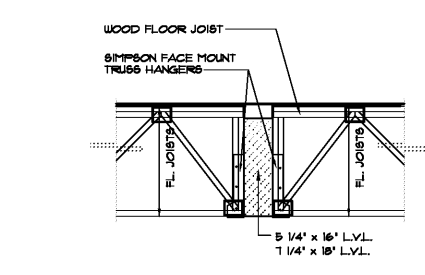
5 FLOOR TO BEAM CONNECTION
SCALE: 3/4"=1'-0"



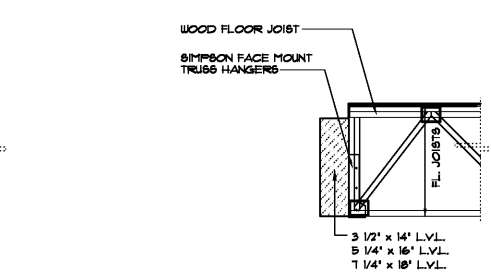
6 FLOOR TO BEAM CONNECTION
SCALE: 3/4"=1'-0"



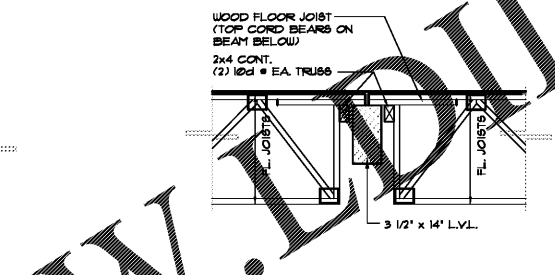
7 FLOOR TO BEAM CONNECTION
SCALE: 3/4"=1'-0"



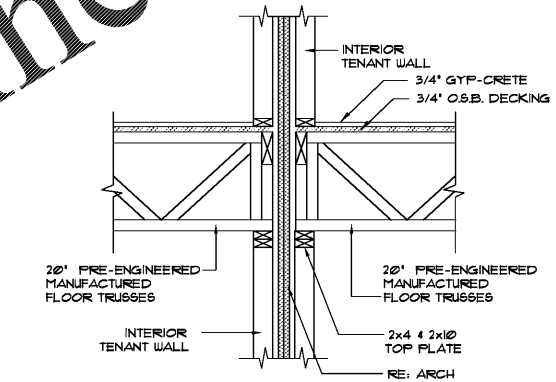
8 FLOOR TO BEAM CONNECTION
SCALE: 3/4"=1'-0"



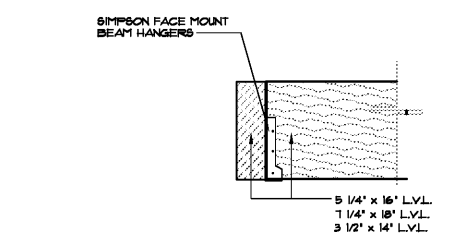
9 FLOOR TO BEAM CONNECTION
SCALE: 3/4"=1'-0"



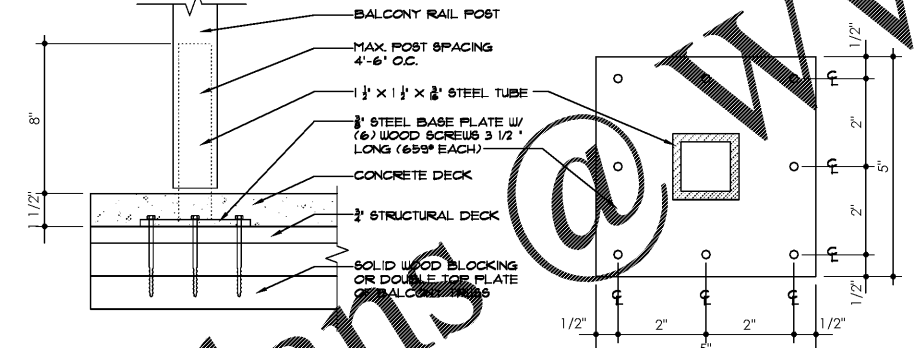
10 FLOOR TO BEAM CONNECTION
SCALE: 3/4"=1'-0"



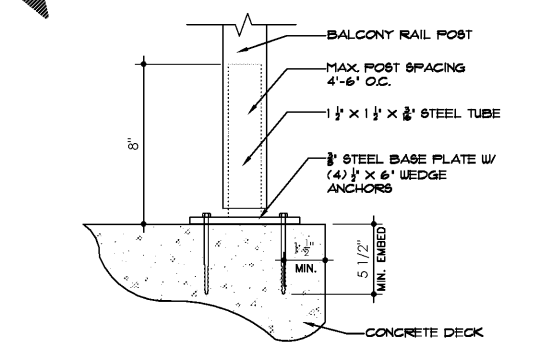
11 FIREWALL
SCALE: 3/4"=1'-0"



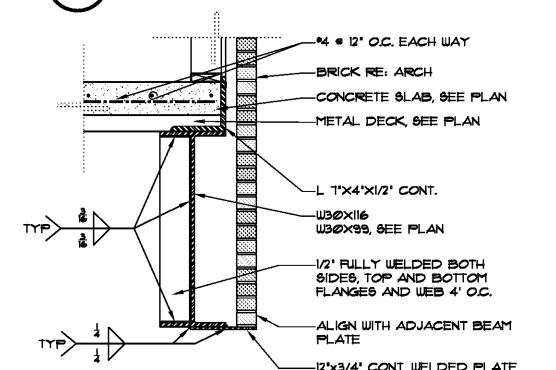
12 BEAM TO BEAM CONNECTION
SCALE: 3/4"=1'-0"



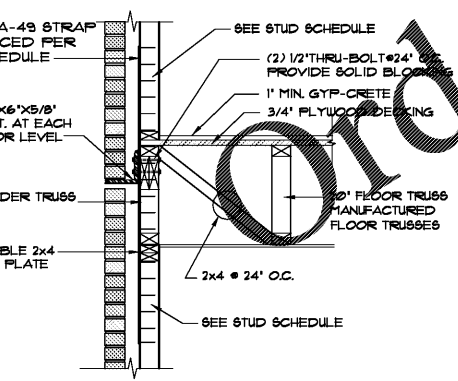
13 RAILING POST ANCHOR DETAIL
SCALE: 1/2"=1'-0"



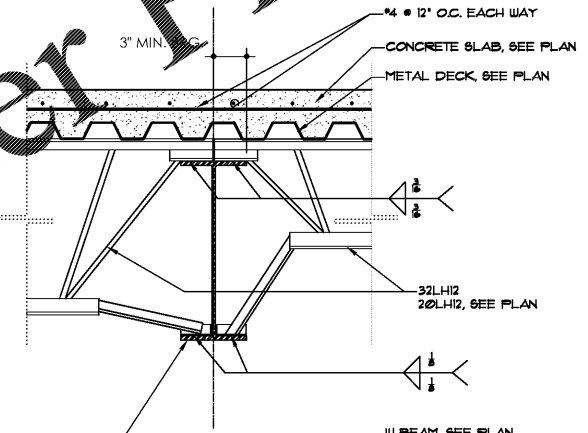
14 RAILING POST ANCHOR DETAIL
SCALE: 6"=1'-0"



15 BEAM BRICK DETAIL
SCALE: 3/4"=1'-0"



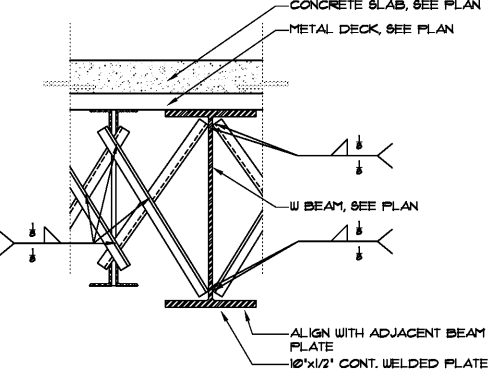
16 EXTERIOR NON-BEARING WALL
SCALE: 3/4"=1'-0"



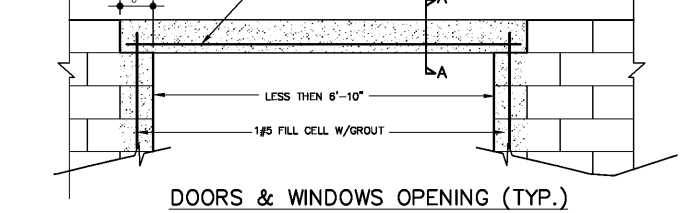
17 BEAM/JOIST DETAIL
SCALE: 3/4"=1'-0"



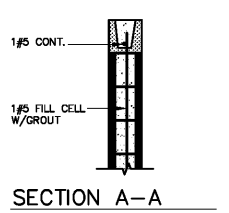
PLAN VIEW
SCALE: 12"=1'-0"



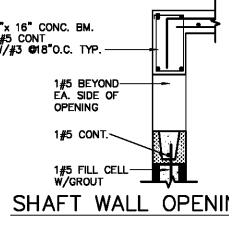
18 TYP. BRIDGING DETAIL
SCALE: 3/4"=1'-0"



DOORS & WINDOWS OPENING (TYP.)
N.T.S.



SECTION A-A
N.T.S.



PRE-CAST LINTEL (TYP.)
N.T.S.



SHAFT WALL OPENING
N.T.S.

Norton Commons North - Apartments

NALIN H. JOSHI, PE
4-321 MAYWOOD DRIVE
JACKSONVILLE, FLORIDA 32277
NALIN.H.JOSHI@AOL.COM
(904) 744-6133

Prospect, Kentucky
Bristol Development Group
381 Mallory Station Rd, Suite 304
Franklin, TN 37067

cba
charlan • brock
associates
architects • planners

1770 fenhell street
maitland florida 32751-7208
407.660.8900 f: 407.875.8948
www.cbaarchitects.com

FRAMING DETAILS

date: 06-04-2019
job no: 3789.15
drawn by: COGL
reviewed by: NHJ
file: 3789SDT-2A
issue history:
7/3-2019

REV1-07-03-2019

SDT-2A

Charlan Brock & Associates, Inc. hereby reserves its common law copyright and other property rights in these plans, specifications, and designs. These ideas, designs, and plans are not to be reproduced, changed or copied in any form or manner whatsoever, nor are they to be assigned to any third party, without first obtaining the express written permission from C.B.A., Inc. within dimensions shall have precedence over scale dimensions.

C:\Users\ADMINISTRATOR\Documents\STRUC\3789 - NORTON COMMONS\3789SDT-2A
Tuesday, July 16, 2019
C:\Users\ADMINISTRATOR\Documents\STRUC\3789 - NORTON COMMONS\3789SDT-2A