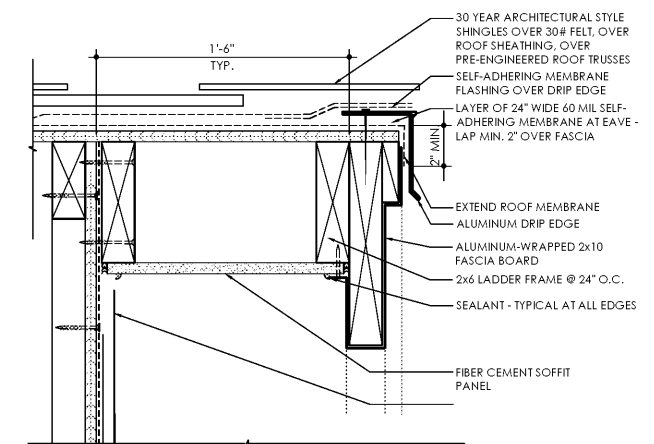
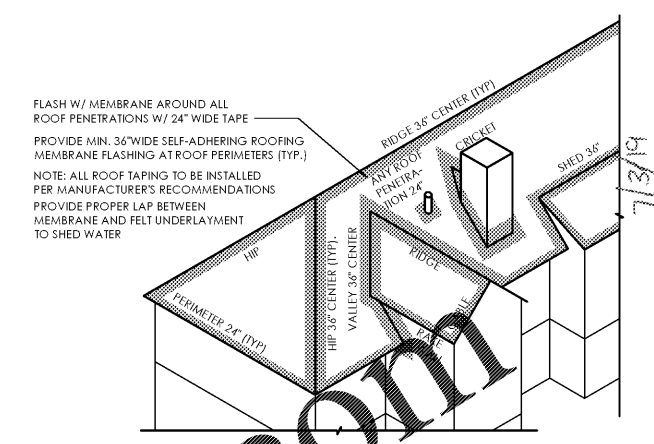


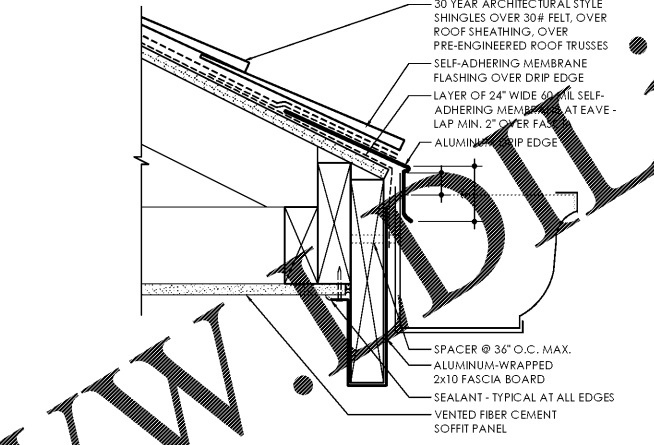
**15 ROOF DETAIL** N.T.S.



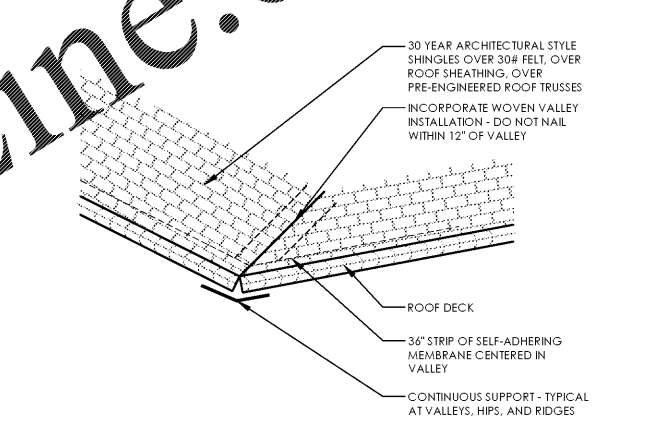
**8 TYPICAL FASCIA DETAIL AT GABLE / RAKE CONDITIONS** SCALE 3" = 1'-0"



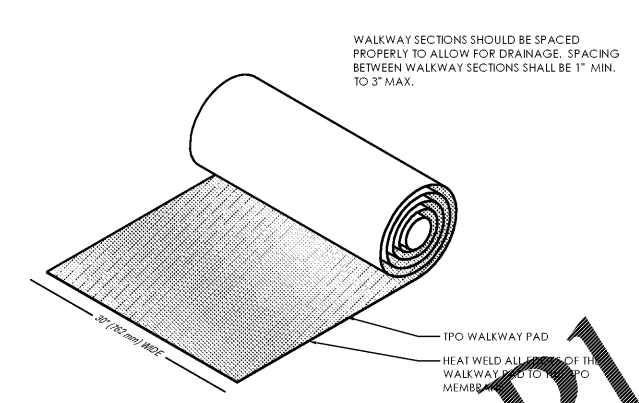
**4 TYPICAL ROOF FLASHING** N.T.S.



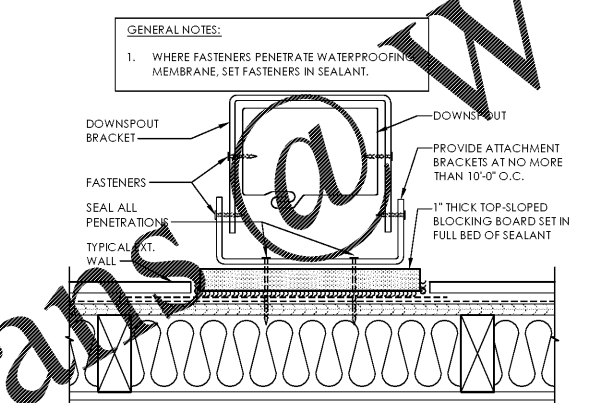
**7 TYPICAL FASCIA DETAIL WITH GUTTER** SCALE 3" = 1'-0"



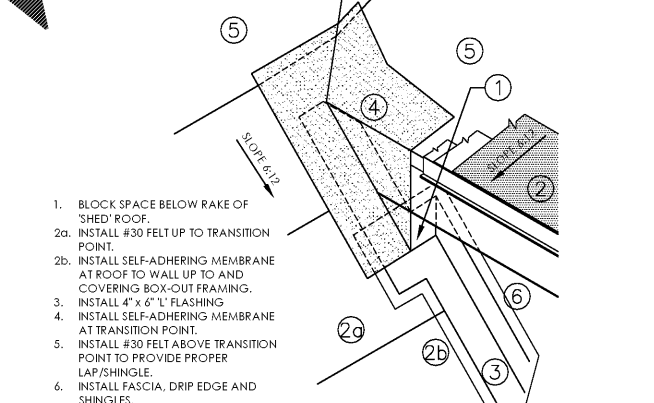
**3 TYP. VALLEY FLASHING** SCALE 3" = 1'-0"



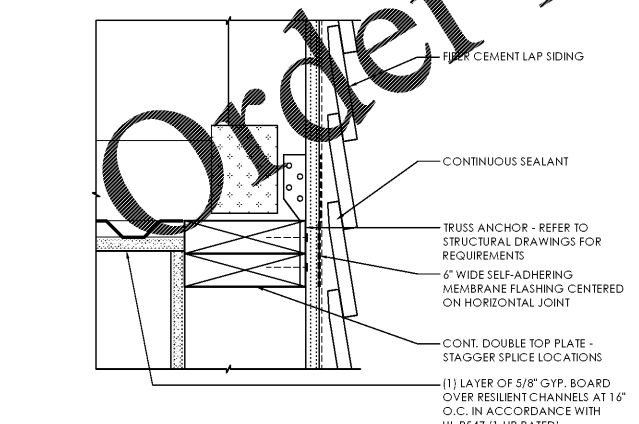
**14 ROOF WALKWAY DETAIL** N.T.S.



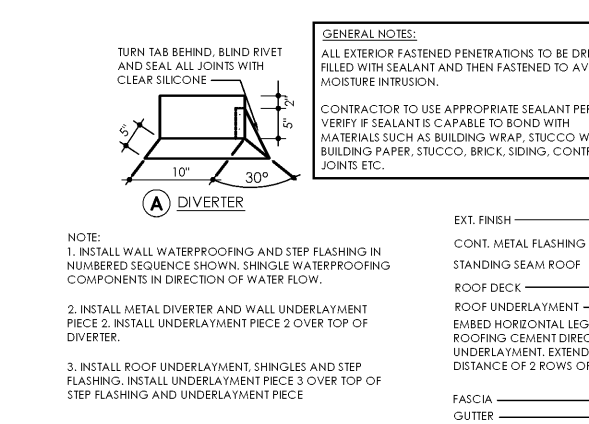
**10 DOWNSPOUT HANGER** SCALE 3" = 1'-0"



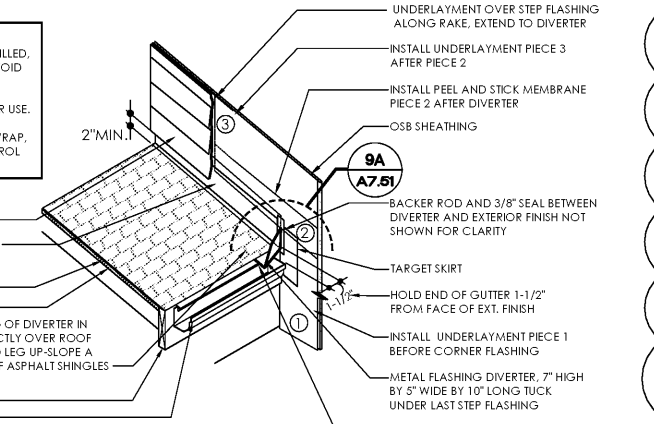
**6 ROOF TRANSITION DET.** SCALE 3" = 1'-0"



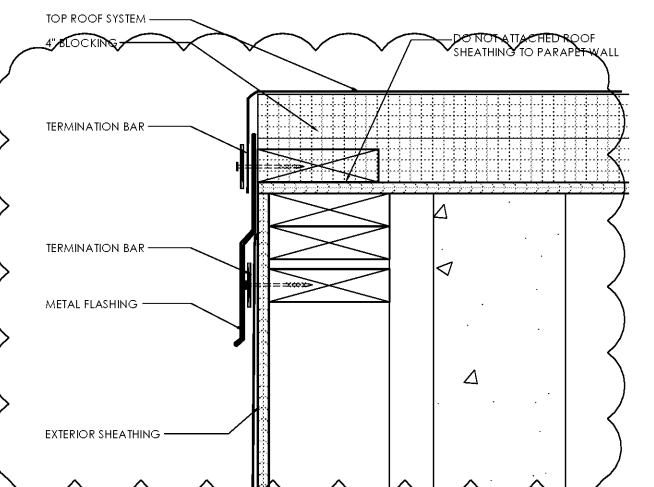
**13 TRUSS ANCHOR** TYPICAL EXTERIOR WALL SCALE 3" = 1'-0"



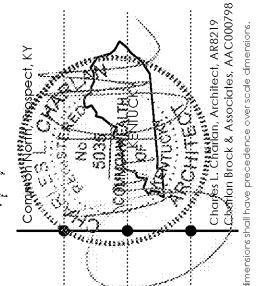
**9 WALL TO ROOF AT DIVERTER** SCALE 3" = 1'-0"



**1 PARAPET TO GARAGE WALL** SCALE 3" = 1'-0"



**1 PARAPET TO GARAGE WALL** SCALE 3" = 1'-0"



Lyric at Norton Commons  
Prospect, Kentucky

Bristol Development Group  
381 Mabry Station Rd, Suite 204  
Franklin, TN 37067

**cba**  
charlan • brock  
associates

architects planners

1770 fennell street  
maimland florida 32751-7208  
407.660.8900 f. 407.875.9948  
www.cbaarchitects.com

TYPICAL ROOF  
AND FLASHING  
DETAILS

date: 06-04-2019  
job no: 3789.15  
drawn by: JHB  
reviewed by: CBA  
file: 3789-A7.51  
issue history:  
△ 07-03-19

**A7.51**

www.charlanbrock.com  
 1770 Fennell Street, Maitland, Florida 32751-7208  
 407.660.8900 f. 407.875.9948  
 www.cbaarchitects.com  
 Charlan Brock & Associates, Inc. hereby reserves its common law copyright and other property rights in these plans, ideas, and designs. These ideas, designs, and plans are not to be reproduced, changed or copied in any form or manner whatsoever, nor are they to be assigned to any third party, without first obtaining the express written permission from c.b.a., inc. written dimensions shall have precedence over scale dimensions.