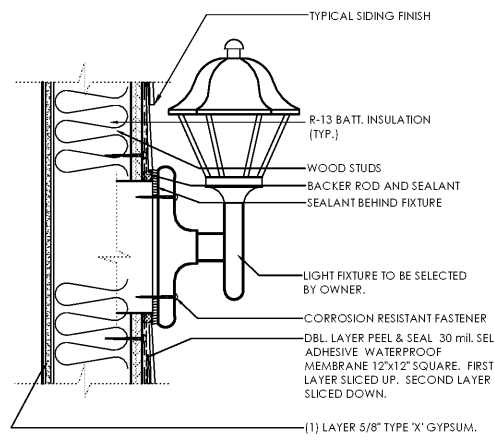
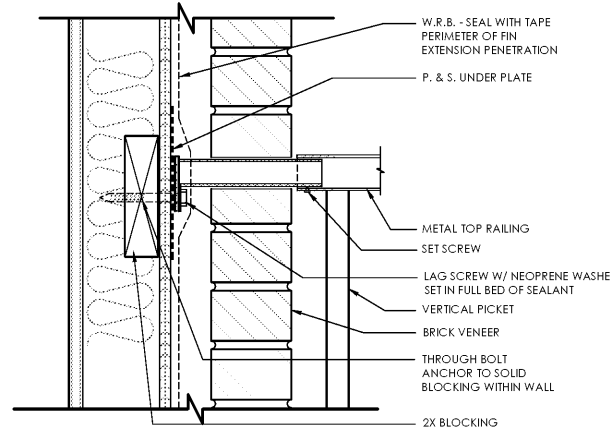


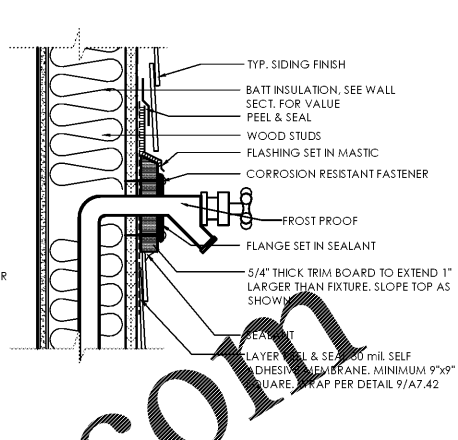
12 SLEEVE PENETRATION
AT SIDING
SCALE: 3'-1"-0"



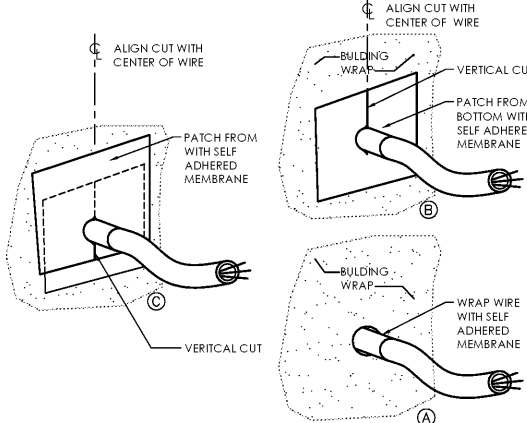
12 ELEC. FIXTURE DETAIL
• SIDING
SCALE: 3'-1"-0"



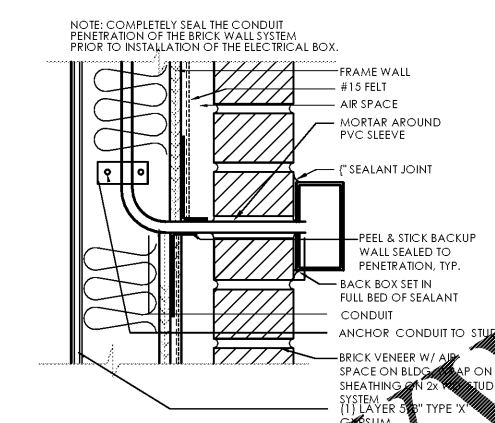
8 RAILING ATTACHMENT
AT BRICK
SCALE: 3'-1"-0"



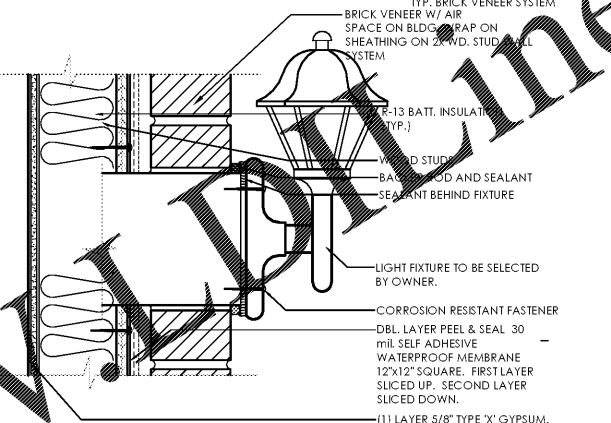
4 HOSE BIBB DETAIL
AT SIDING
SCALE: 3'-1"-0"



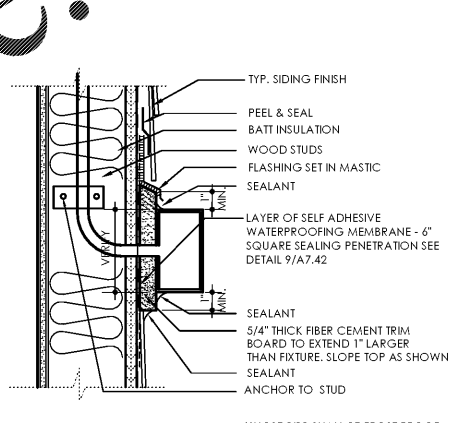
14 TYP. WIRE PENETRATION
SMALL WIRE
SCALE: 3'-1"-0"



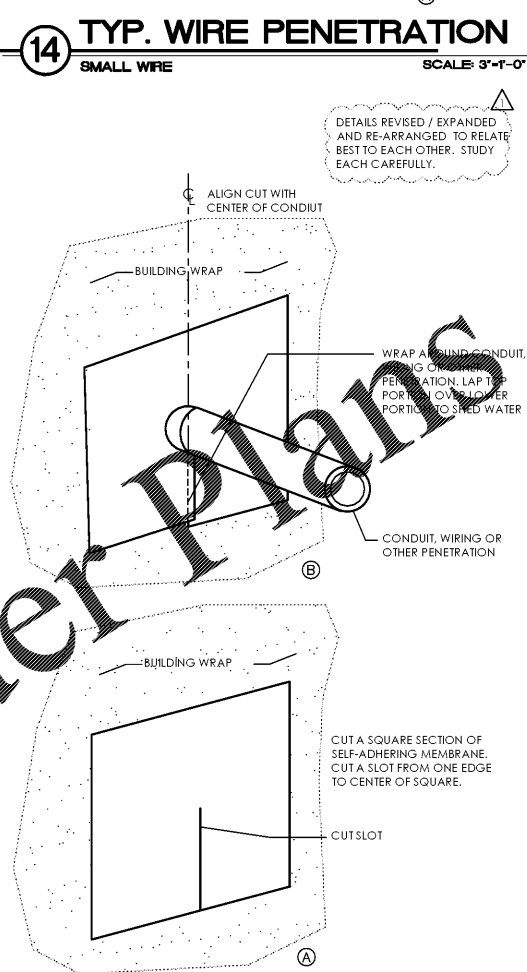
11 ELEC. DEVICE MOUNT'G.
• BRICK
SCALE: 3'-1"-0"



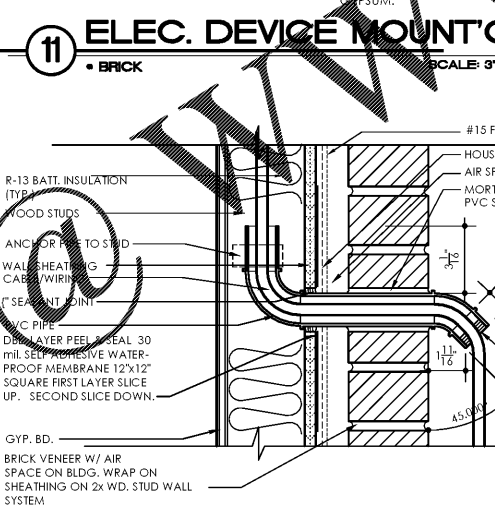
7 ELEC. FIXTURE DETAIL
• BRICK
SCALE: 3'-1"-0"



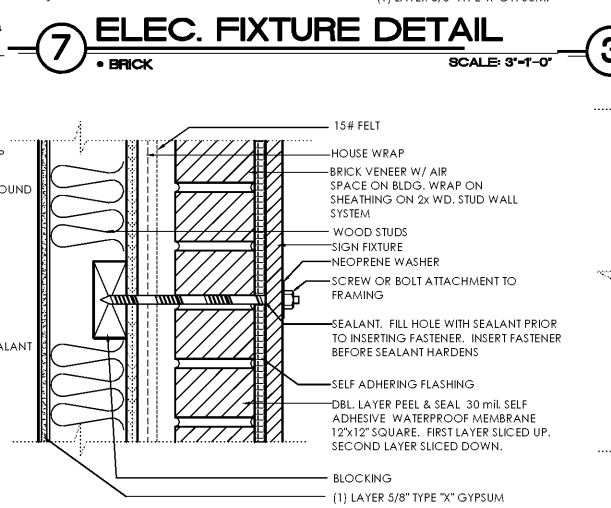
3 ELEC. DEVICE MOUNTING
AT SIDING
SCALE: 3'-1"-0"



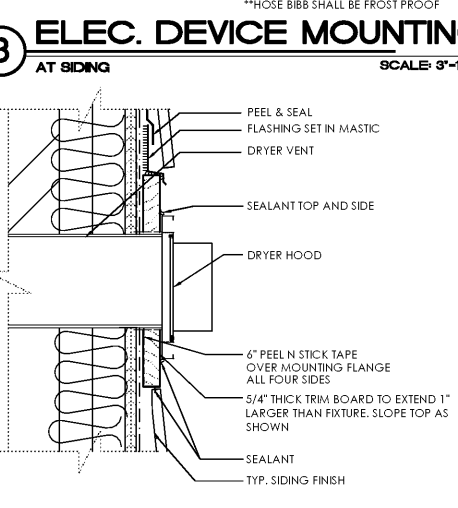
13 MEMBRANE WRAP.
N.T.S.



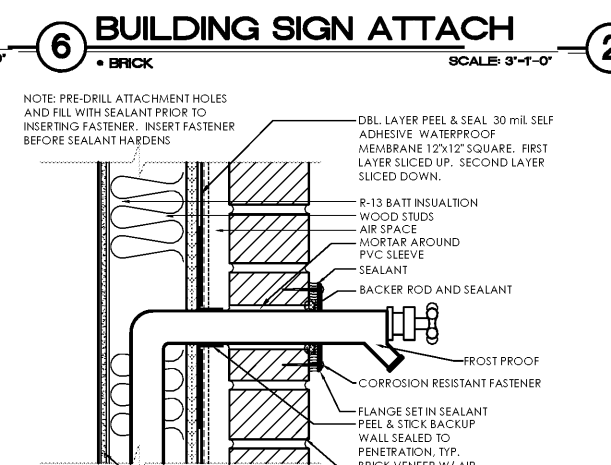
10 SLEEVE PENETRATION
• BRICK
SCALE: 3'-1"-0"



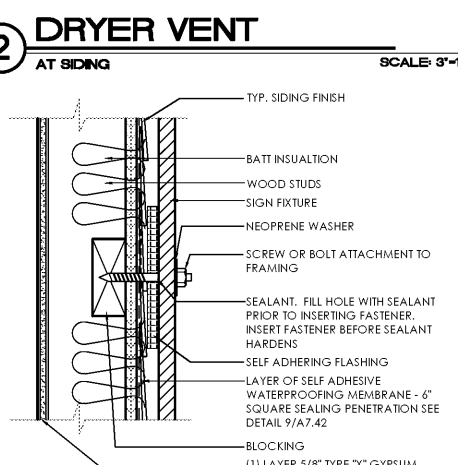
6 BUILDING SIGN ATTACH
• BRICK
SCALE: 3'-1"-0"



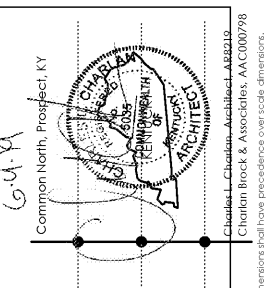
2 DRYER VENT
AT SIDING
SCALE: 3'-1"-0"



5 HOSE BIBB DETAIL
• BRICK
SCALE: 3'-1"-0"



1 BUILDING SIGN ATTACH.
AT SIDING
SCALE: 3'-1"-0"



Lyric at Norton Commons
Prospect, Kentucky

Bristol Development Group
381 Malory Station Rd, Suite 204
Franklin, TN 37067



charlan • brock
associates
architects planners
1770 fennell street
maitland florida 32751-7208
407.660.8900 f. 407.875.9948
www.cbarchitects.com

PENETRATION/
ARCHITECTURAL
DETAILS

date: 06-04-2019
job no: 3789.15
drawn by: JHB
reviewed by: CBA
file: 3789-A7.42
issue history:

A7.42

Charlan Brock & Associates, Inc. hereby reserves its common law copyright and other proprietary rights in these plans, ideas, and designs. These ideas, designs, and plans are not to be reproduced, changed or copied in any form or manner whatsoever, nor are they to be assigned to any third party, without first obtaining the express written permission from C.B.A., Inc. within dimensions that have precedence over scale dimensions.

Order Plans

PROJECT: LYRIC AT NORTON COMMONS, PROSPECT, KY. SHEET: A7.42
 DATE: 06/04/2019
 DRAWN BY: JHB
 CHECKED BY: CBA
 SCALE: 3'-1"-0"