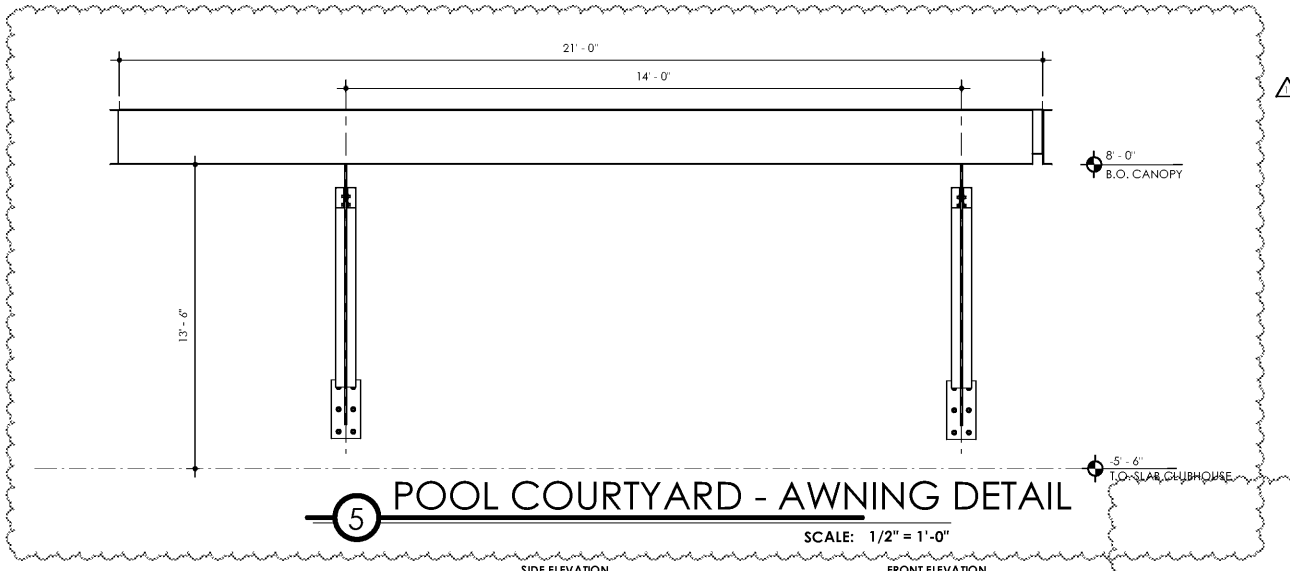
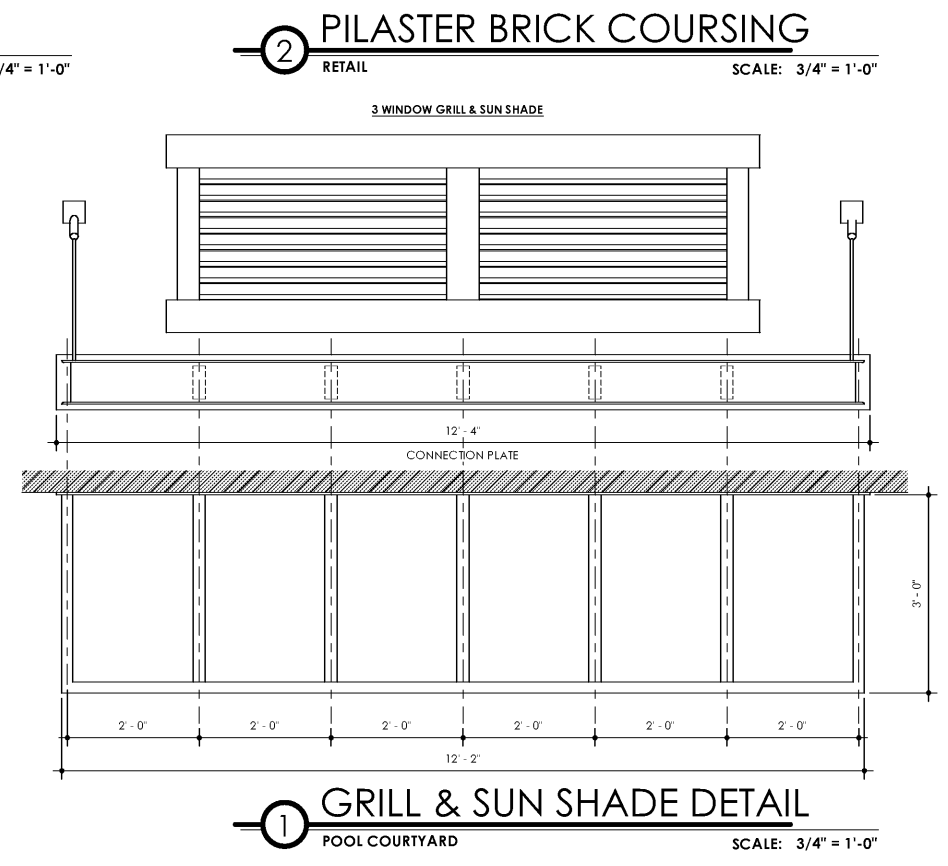
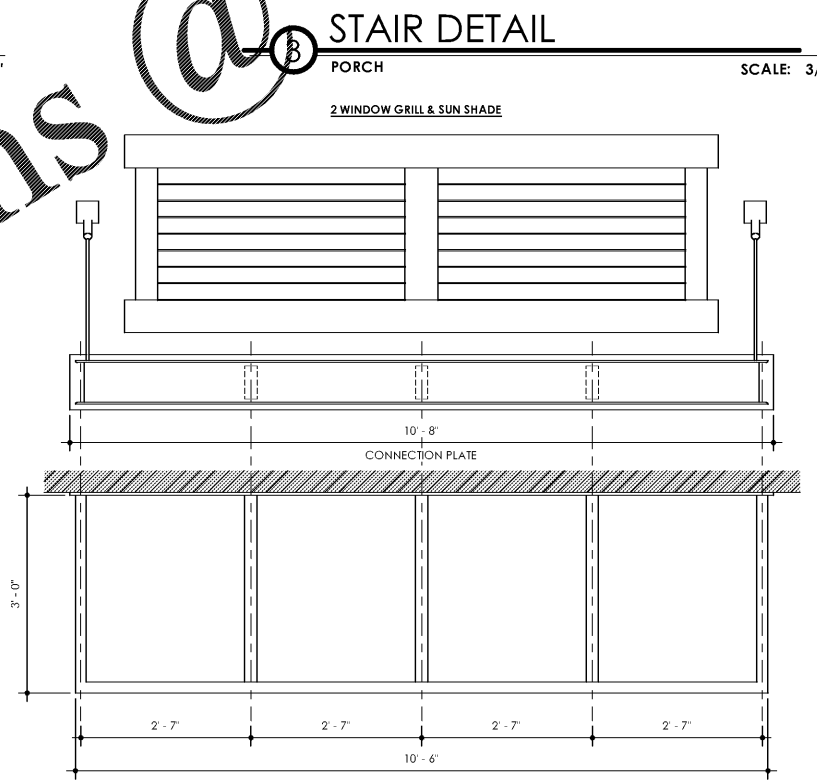
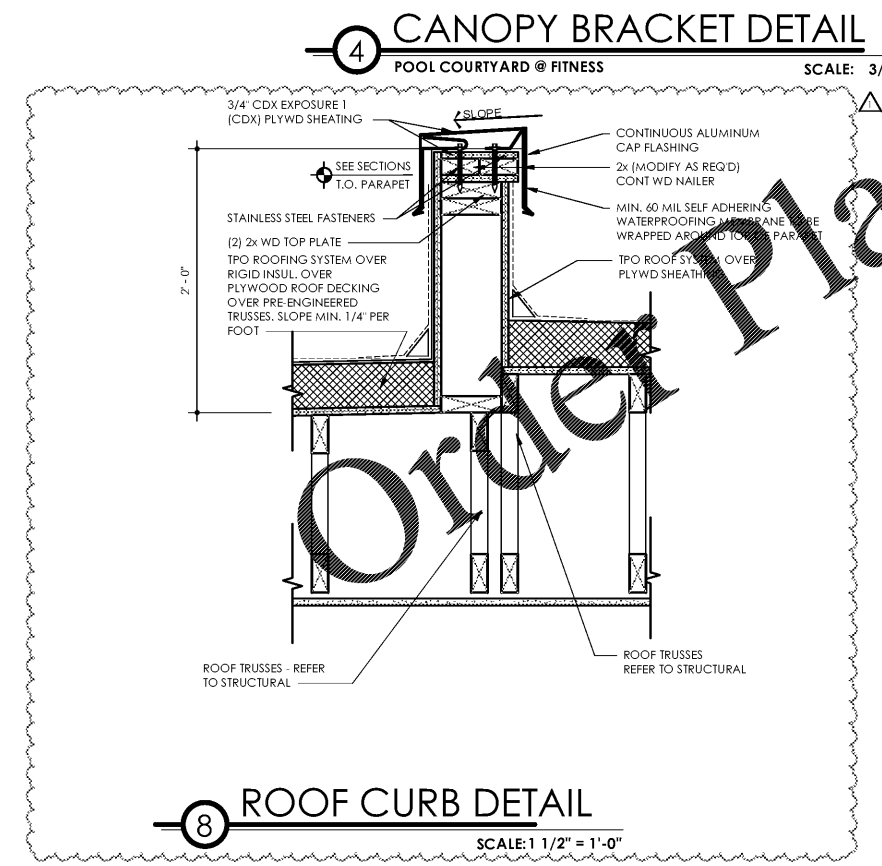
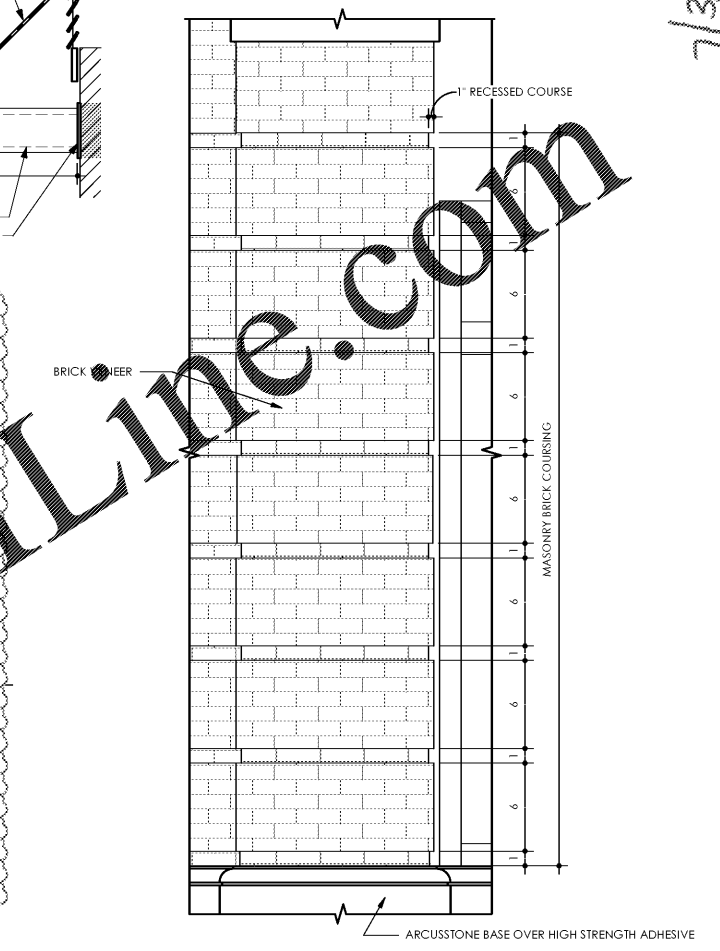
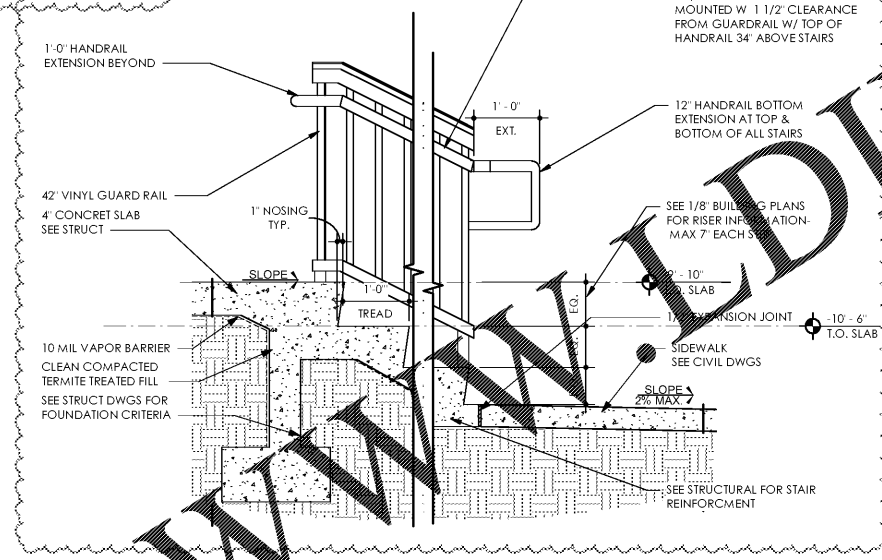
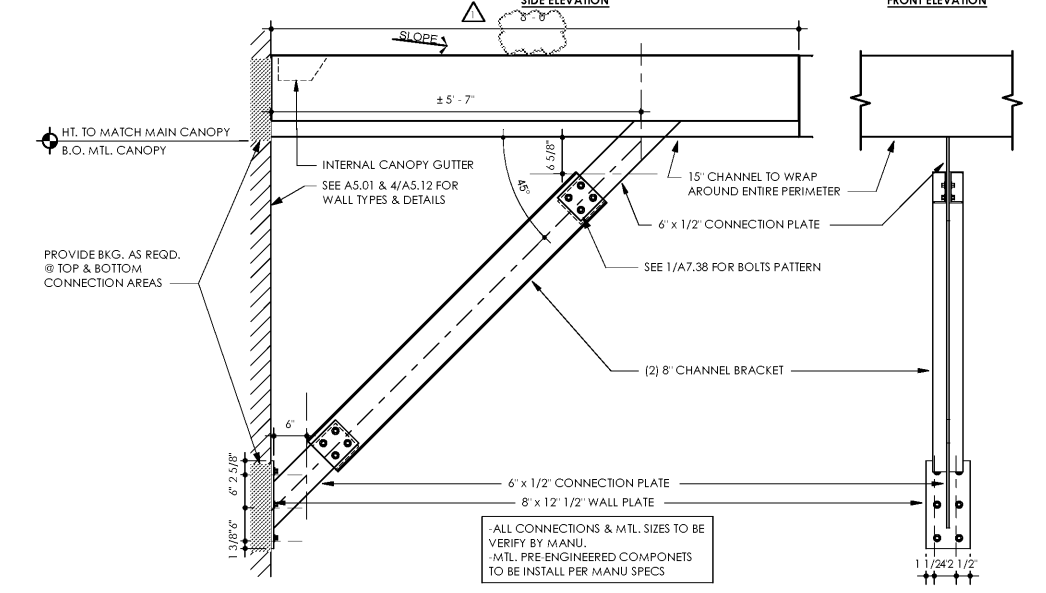
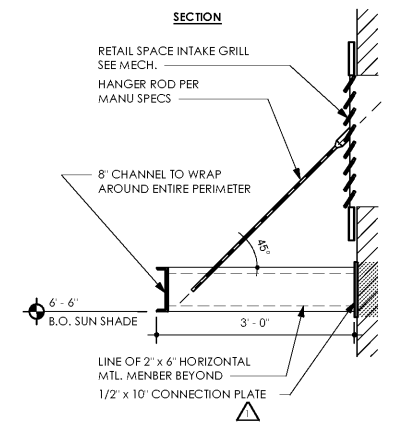


7/3/19



NOTE:

- METAL FABRICATOR TO PROVIDE ENGINEERED SIGNED AND SEALED SHOP DWG'S OF ALL CANOPIES / AWNINGS FOR ARCHITECTS AND OWNER'S REVIEW AND APPROVAL.
- SUBMITTALS SHALL INCLUDE ALL ASSOCIATED PERIMETER SUPPORT, GUTTERS / DOWNSPOUT, ALUMINUM SUPPORT, BEAMS DETAILS, COLUMNS, ATTACHMENT DETAILS WITH ALL REQUIRED IN-WALL BLOCKING FOR SYSTEM, ETC.
- MANUFACTURER TO INCLUDE ISOLATION MEMBRANES AND SPACERS AS REQUIRED BY INDUSTRY'S BEST PRACTICE STANDARDS TO ENSURE PROTECTION OF CANOPY MATERIAL FROM ADJACENT CONSTRUCTION MATERIAL AND CHEMICAL INTERACTION.



WWW.DIline.com

Order Plans

Lyric at Norton Commons
Prospect, Kentucky
Bristol Development Group
381 Mallory Station Rd, Suite 204
Franklin, TN 37067

charlan • brock associates
architects • planners
1770 fennell street
maitland florida 32751-7208
407.660.8900 | f:407.875.9948
www.cbarchitects.com

ARCHITECTURAL DETAILS

date: 06/04/2019
job no: 3789.15
drawn by: EGR JAC, TQT
reviewed by: CBA
issue history:
Date: 1 07/03/19

A7.40

7/3/2019 5:52:39 PM C:\CEK Custom\Plan\Projects\3789.15\CEK_NORTON_COMMONS_ARCHitectural.dwg

charlan, brock & associates, inc. hereby represents its common law copyright and other proprietary rights in these plans, ideas, and designs. these ideas, designs, and plans are not to be reproduced, changed or copied in any form or manner whatsoever, nor are they to be assigned to any third party, without first obtaining the express written permission from c.b.a., inc. written alterations shall have precedence over scale alterations.