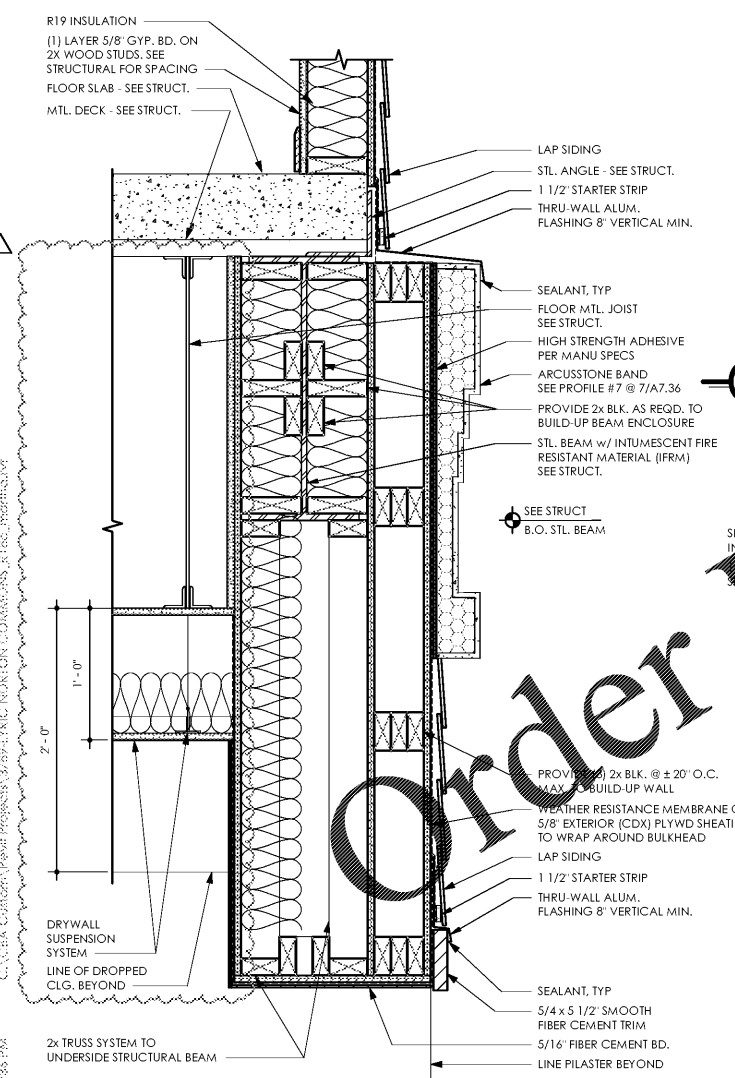
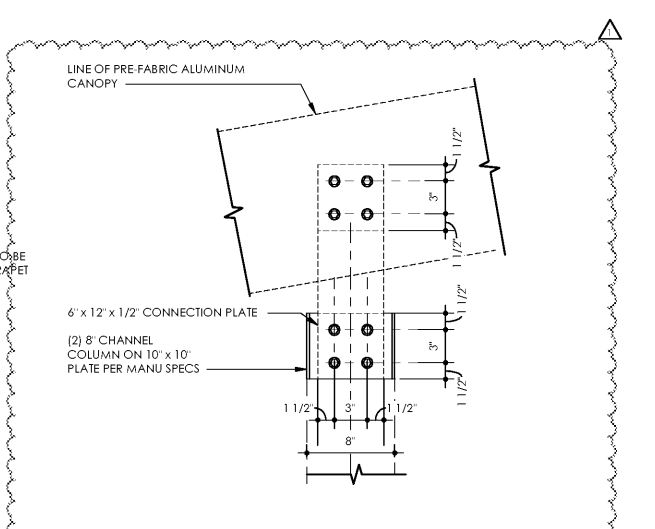


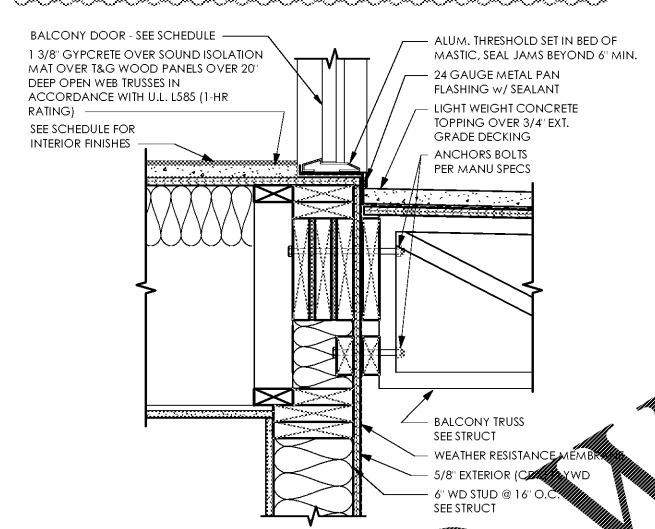
10 STAIR METAL EDGE
SCALE: 1 1/2" = 1'-0"



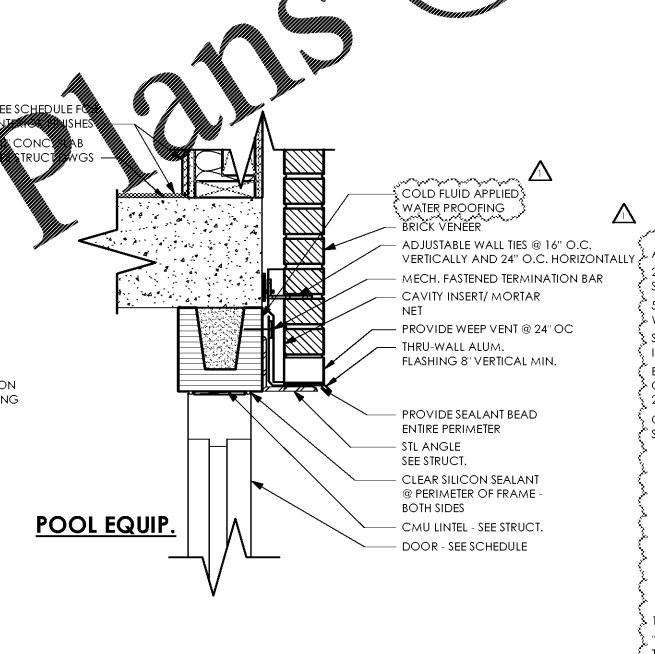
9 DRIVE-THRU LINTEL DETAIL
REAR DRIVE-THRU
SCALE: 1 1/2" = 1'-0"



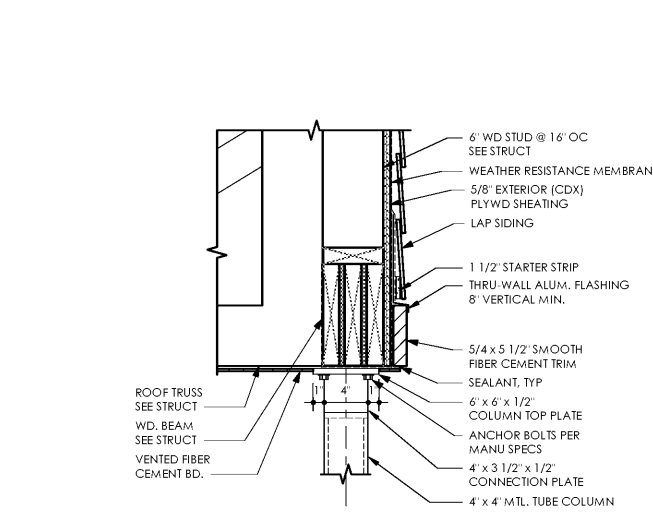
11 COLUMN TOP
POOL COURTYARD
SCALE: 1 1/2" = 1'-0"



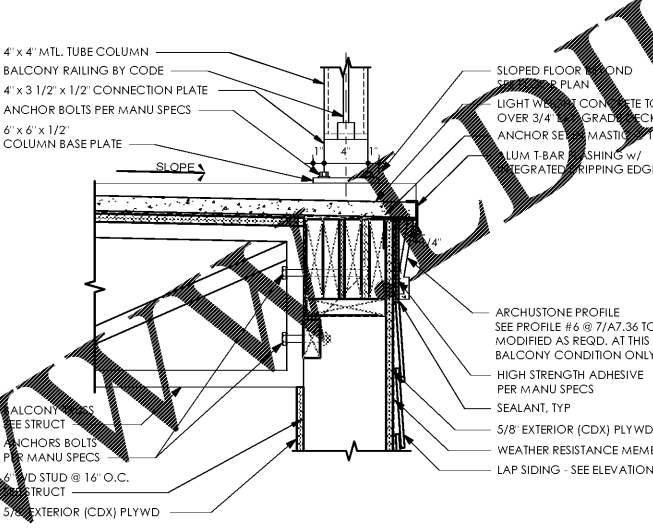
8 BALCONY/WALL CONNECTION
TRUSS BALCONY POOL COURTYARD
SCALE: 1 1/2" = 1'-0"



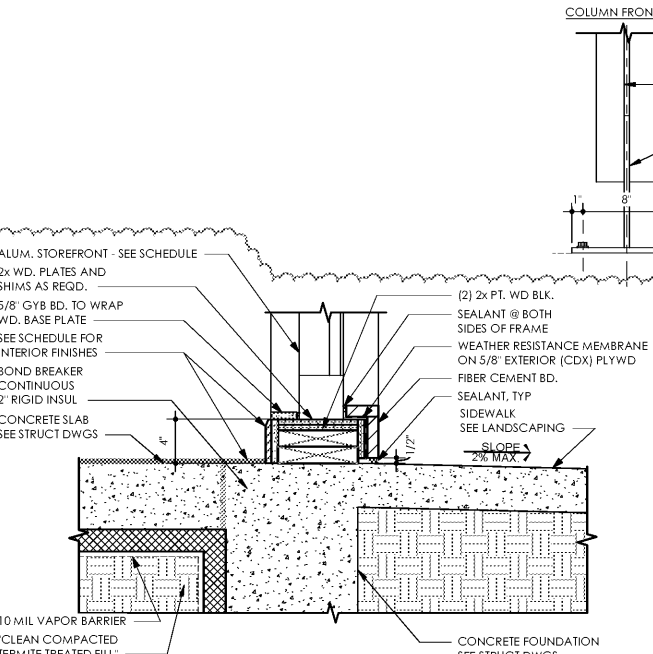
7 DOOR LINTEL DETAIL
POOL EQUIP.
SCALE: 1 1/2" = 1'-0"



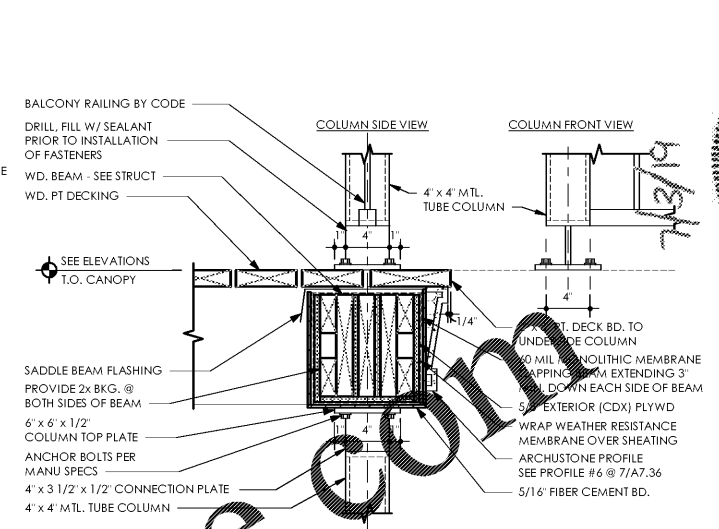
6 COLUMN/SOFFIT DETAIL
POOL COURTYARD
SCALE: 1 1/2" = 1'-0"



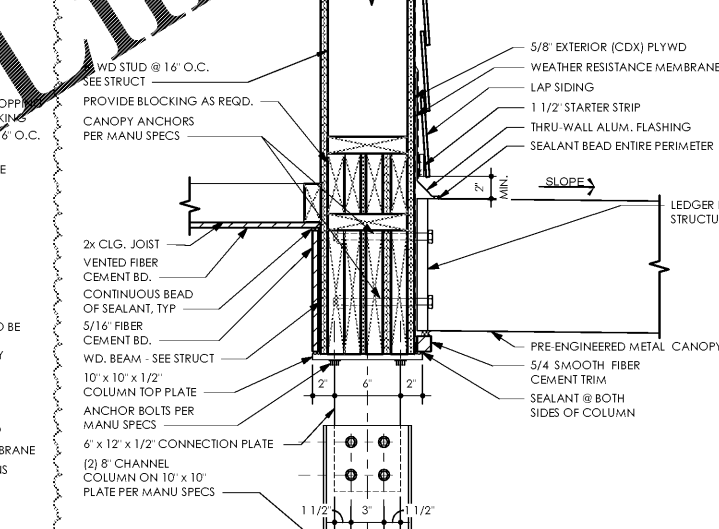
5 BALCONY EDGE DETAIL
TRUSS BALCONY POOL COURTYARD
SCALE: 1 1/2" = 1'-0"



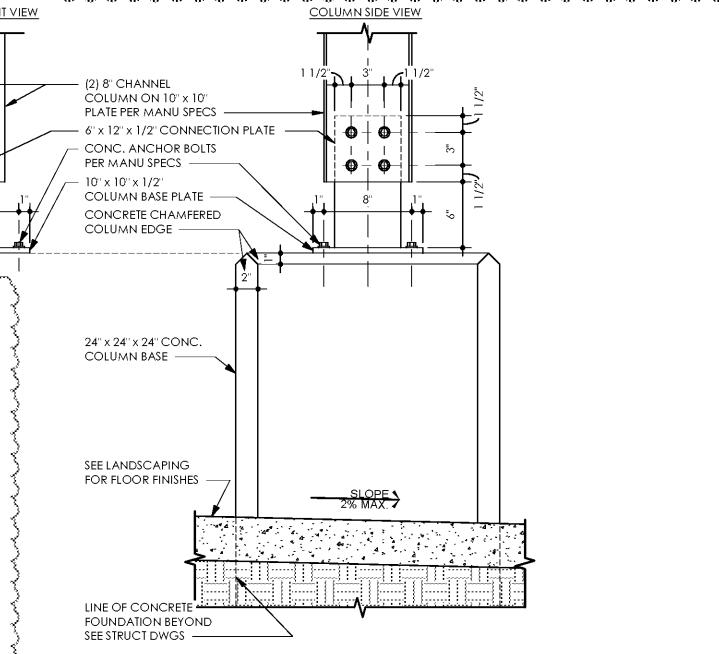
4 STOREFRONT LOW BASE
POOL COURTYARD
SCALE: 1 1/2" = 1'-0"



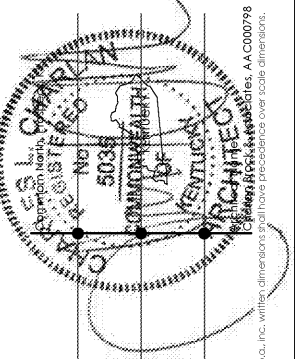
3 BALCONY EDGE DETAIL
POOL COURTYARD
SCALE: 1 1/2" = 1'-0"



2 CANOPY @ PORCH DETAIL
POOL COURTYARD
SCALE: 1 1/2" = 1'-0"



1 COLUMN BASE
POOL COURTYARD
SCALE: 1 1/2" = 1'-0"



Lyric at Norton Commons
Prospect, Kentucky
Bristol Development Group
381 Mallory Station Rd, Suite 204
Franklin, TN 37067

charlan • brock associates
architects • planners

1770 fennell street
maitland florida 32751-7208
407.660.8900 f:407.875.9948
www.cbarchitects.com

ARCHITECTURAL DETAILS

date: 06/04/2019
job no: 3789.15
drawn by: EGR JAC, TQT
reviewed by: CBA
issue history:
Date: 1/07/03/19

A7.38

Order Plans

7/21/2019 10:11:48 AM C:\Users\charlan\Documents\Projects\3789.15\17\17-01\17-01-01.dwg

charlan, brock & associates, inc. hereby represents its common law copyright and other proprietary rights in these plans, ideas, and designs. these ideas, designs, and plans are not to be reproduced, changed or copied in any form or manner whatsoever, nor are they to be assigned to any third party, without first obtaining the express written permission from c.b.a., inc. written permission shall have precedence over scale drawings.